 chevy.com

NEW SILVERADO HD



11CHESIL-HD-CAT01



WE'RE BREAKING NEW GROUND IN MORE WAYS THAN ONE.

If it matters to heavy-duty pickup owners, it matters to Chevy. So we engineered the new 2011 Silverado HD with durable, advanced technology that makes it **the most powerful heavy-duty ever made**. First, we strengthened the available, proven Duramax 6.6L Turbo-Diesel V8 engine and Allison® transmission to generate an earth-shaking **765 lb.-ft. of torque and 397 horsepower** – numbers no other full-size pickup can match – plus **towing capacities up to 21,700 lbs!** Next, we designed a high-strength, fully boxed steel frame with the ability to **handle more payload than any competitor – up to 6,635 lbs.²** And because it wasn't enough to be just stronger and sturdier, we gave you more heavy-duty driving confidence with innovative features that help **keep the mammoth loads you're hauling under control**. We even changed the look with bold updates to the hood, grille and front bumper. Then we backed it all with our **100,000 mile/5-year³ Powertrain Warranty** to guarantee the quality. The new Silverado HD. From Chevy – the most dependable, longest-lasting full-size pickups on the road.⁴

New Silverado 3500HD Big Dooley Crew Cab Long Box LTZ 4x4 in Steel Green Metallic with available features. ¹ Requires fifth-wheel trailer hitch and Regular Cab model. Maximum trailer weight ratings are calculated assuming a base vehicle, except for any option(s) necessary to achieve the rating, plus driver. The weight of other optional equipment, passengers and cargo will reduce the maximum trailer weight your vehicle can tow. See your Chevy dealer for additional details. ² Requires Regular Cab model and gas engine. Maximum payload capacity includes weight of driver, passengers, optional equipment and cargo. ³ Whichever comes first. See dealer for limited warranty details. ⁴ Dependability based on longevity: 1981–July 2009 full-size pickup registrations.

FOR HEAVY-DUTY TRUCKS, TORQUE IS KING.

B20 BIODIESEL

The available Duramax Diesel can run on B20 biodiesel,² a fuel that's produced using domestic, renewable resources. B20 is composed of 20% biodiesel mixed with regular diesel. The new, available Duramax runs cleaner too, with a 60% reduction in NOx emissions from our previous model. That's thanks to an optimized Diesel Emissions Fluid (DEF) system. The combustion system and after-treatment have also been optimized, offering up to 700 miles between Diesel Particulate Filter (DPF) regenerations.



Ford and Dodge HD engines bow down before the Duramax 6.6L Turbo-Diesel V8 engine. But to remain the HD leader, we decided to look at everything that made the available Duramax great and make it even better. This proven powerplant was enhanced to generate **more maximum horsepower and torque than Ford or Dodge** – an incredible 397 hp and 765

lb.-ft. of torque – yet our engineers managed to make it quieter than before and **improve highway fuel economy by more than 11%!** Remarkably, when you take that improvement and combine it with our 36-gallon fuel tank, it offers **up to 680 highway miles on a single tank.** Harnessing all that power and efficiency is the renowned, beefed-up **Allison six-speed**, a transmission that's been earning its heavy-duty credentials for nearly a decade. And let's face it – you don't want to leave your towing fate in the hands of an unproven transmission when you're pulling a massive load through the mountains. Need more proof on just how tough Allison transmissions are? You'll find them in a lot of medium-duty commercial-grade vehicles. Another engine choice is our standard Vortec 6.0L V8 gas engine with Variable Valve Timing (VVT) that optimizes high-end power and low-end torque – enough for 360 horses and 380 lb.-ft. of torque.

Shown at right: Available Duramax 6.6L Turbo-Diesel V8 engine. Shown above: Available Allison six-speed automatic transmission. ¹ Based on GM testing. ² Requires ASTM grade B20 biodiesel fuel.



“BIGGER, BADDER, AND BETTER...”

— CARANDDRIVER.COM, FEBRUARY 2010

Beauty may only be skin deep, but inner strength is another matter altogether. You either have it or you don't, and it goes right to the core. Our all-new chassis features a high-strength, fully boxed steel frame that's **five times torsionally stiffer** than before and lets Silverado HD shoulder up to 6,635 lbs.^{1,2} of whatever it takes to get the job done. That's more than any competitor. Looking for a fully boxed frame on Ford F-250 or F-350? You won't find one. And the Silverado HD suspension got a complete redesign with **components that are bigger and stronger** than before. They were engineered specifically to handle increased loads and do something you probably wouldn't expect – **improve ride quality**. Call it backbone. Call it guts or internal fortitude. Silverado HD has it from the inside out.

¹ Requires Regular Cab model and gas engine. ² Maximum payload capacity includes weight of driver, passengers, optional equipment and cargo. ³ Requires available Duramax 6.6L Turbo-Diesel V8 engine and Snow Plow Prep Package.

NEW 2011 SILVERADO HD

Max. payload capacity ² (lbs.) (gas)	6,635
Max. payload capacity ² (lbs.) (diesel)	5,724
Max. Rear Gross Axle Weight Rating (RGAWR) (lbs.)	9,375
Max. Front Gross Axle Weight Rating (FGAWR) (lbs.)	6,000
Max. Gross Vehicle Weight Rating (GVWR) (lbs.)	13,000
Max. Gross Combined Weight Rating (GCWR) (lbs.)	29,200

INDEPENDENT FRONT SUSPENSION

The new independent front suspension allows each front wheel to react independently to rough terrain, helping keep each wheel in a vertical position and more firmly planted on the road. Compare this to a solid front axle design where movement on one side affects the wheel on the other.

INCREASED GVWR

The fully boxed frame and all-new front and rear suspensions are the biggest reasons for the huge increases in Gross Vehicle Weight Ratings, up to 14% on some models. Massive components include three-inch-wide rear leaf springs and precision-forged upper control arms for added strength.

FIFTH-WHEEL READY

It's easy to add a fifth-wheel trailer hitch to the new Silverado HD, thanks to numerous provisions found on the high-strength steel frame.



6,000-LB. FGAWR

The front suspension has been outfitted with huge precision-forged upper control arms and torsion bars along with the largest steering gear we've ever used on a heavy-duty pickup, supporting up to a 6,000-lb. Front Gross Axle Weight Rating (FGAWR).³ So every HD 4x4 model can easily accommodate a snow plow with the available Snow Plow Prep Package.

FRONT SUSPENSION ENHANCEMENTS

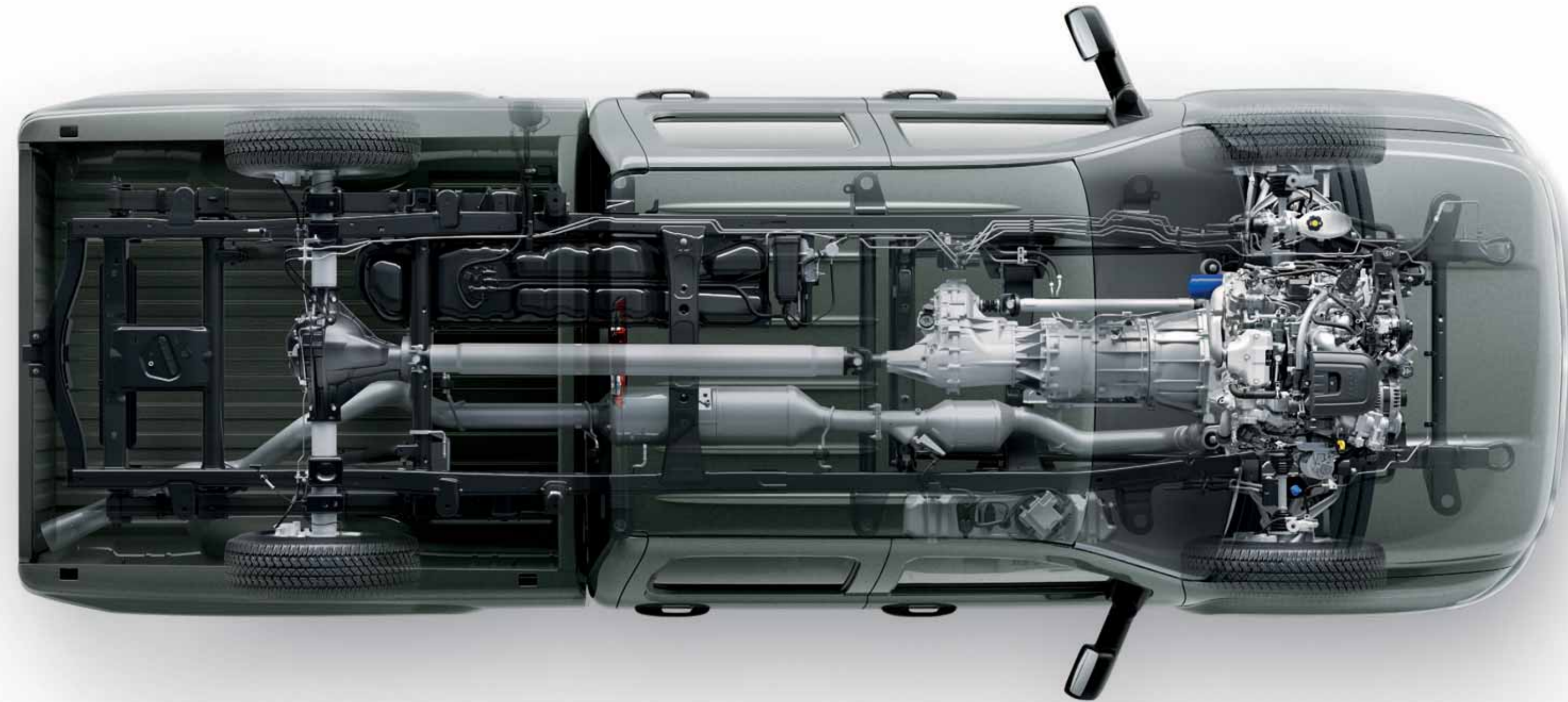
To better manage larger capacities, the steering knuckle is taller and 66% heavier than before. Dual front jounce bumpers provide two load transfer paths to handle the increase in loads going through the frame and lower control arm.

STRONGER REAR SUSPENSION

The rear suspension is stronger than before and includes 20% wider leaf springs with an asymmetric design that reduces wheel hop on acceleration, better handles increased payloads and results in bigger Gross Vehicle Weight Ratings.

IMPROVED RIDE

Traditionally, HD trucks have ridden like trucks. Here's one place we're willing to break with tradition. Intelligently designed hydraulic body mounts on Extended Cab and Crew Cab models improve ride quality by helping to isolate and absorb bumps. Larger engine and transmission mounts than before, coupled with a stiffer front frame structure, better control vibrations. We've even increased track widths to enhance ride experience.



SILVERADO HD MAKES DRIVING HEAVY TRUCKS EASY.

When you have big jobs lined up from dusk to dawn, sometimes it's hard to slow down. And while that work ethic is admirable, we knew you needed a truck that would slow down – and stop – when your days are packed and you're pulling the biggest loads. So we added innovative components like an available diesel exhaust brake¹ that lets you use less conventional braking and helps keep your truck and trailer in control while traveling downhill. It's the type of thinking that can help ease thoughts of white-knuckle driving and save some wear on your brakes at the same time.

Shown at left: Silverado 3500HD Crew Cab Long Box LTZ 4x4 in Steel Green Metallic with available features. Shown below: Duramax turbocharger cutaway. ¹ Requires available Duramax 6.6L Turbo-Diesel V8 engine. ² Requires Regular Cab model with available Duramax 6.6L Turbo-Diesel V8 engine and fifth-wheel trailer hitch. Maximum trailer weight ratings are calculated assuming a base vehicle, except for any option(s) necessary to achieve the rating, plus driver. The weight of other optional equipment, passengers and cargo will reduce the maximum trailer weight your vehicle can tow. See your Chevy dealer for additional details.

BRAKING COMMUNICATION

The StabiliTrak control module allows components to “talk” to each other and vary the amount of braking needed based on the truck, the load and the grade. That’s an important conversation, since having the muscle to get a big load moving is just the first part of the towing equation. The second part is having the brains to slow it down.

STABILITRAK ELECTRONIC STABILITY CONTROL

StabiliTrak, standard on single rear wheel models, improves vehicle stability, particularly during emergency maneuvers. The StabiliTrak control module compares your steering input with the vehicle’s actual response and then, if necessary, makes small, individual brake and engine torque applications to enhance control and help you keep on track. StabiliTrak automatically intervenes when it senses loss of lateral traction (sideslip), understeer (plowing) or oversteer (fishtailing).

TRAILER SWAY CONTROL

Working in conjunction with StabiliTrak Electronic Stability Control, the new Trailer Sway Control (single rear wheel models only) feature senses trailer sway and automatically applies the truck’s brakes and reduces engine power, if necessary, to help you get back on track.

INTEGRATED TRAILER BRAKE CONTROLLER

The dash-mounted controls provide measured brake force to the electric-controlled trailer brakes, giving you an added measure of confidence and security while towing. Thanks to this available feature, you can say good-bye to that aftermarket brake controller.

BIGGER, STRONGER BRAKES

Everything about the Silverado HD brakes has been improved. Larger rotors and calipers improve brake pedal feel and result in shorter pedal travel. With Intelligent Brake Assist, the calipers are preloaded. So when the system senses a panic-braking situation, the brakes can be fully applied more quickly.

HILL START ASSIST

On uphill inclines greater than a 5% grade, the Hill Start Assist (single rear wheel models only) automatically engages to hold the truck stationary for about a second after the brake is released. This gives the driver time to accelerate before the truck can roll backward. It can be extremely helpful when you’re stopped on a steep grade with a vehicle two feet from your rear bumper. The available Integrated Trailer Brake Controller will also assist with this feature and apply the trailer brakes.

PROVEN, DURABLE ALLISON TRANSMISSION

With the ability to harness all the power and torque of the available Duramax 6.6L Turbo-Diesel V8 engine, the Allison six-speed automatic transmission is the ultimate confidence-booster whether your truck is loaded or unloaded. The transmission includes Tap-Up/Tap-Down driver shift control capability and auto grade braking.

AUTO GRADE BRAKING

When you’re towing a heavy load, sometimes traveling downhill feels like an uphill battle. Auto grade braking, standard on Silverado HD transmissions, is up to the challenge. This feature automatically downshifts to help slow the truck when you apply the brakes while descending long, steep grades.

EXHAUST BRAKE SYSTEM

The new diesel exhaust brake system¹ included with the available Allison transmission, works in conjunction with the Tow/Haul mode and auto grade braking features. After evaluating the load and grade, a variable vane geometry turbo creates back pressure to slow down the vehicle and help reduce brake use. That means reduced brake fade, prolonged brake life and more confidence when you’re pulling 21,700 lbs², especially on steep grades.



THIS TRUCK WAS BORN TO TOW HUGE LOADS.

TOWING EQUIPMENT

Serious pulling needs serious equipment. The available Trailering Package includes a trailer hitch platform and 2.5-inch receiver with 2-inch adapter, 7-wire harness mated to 7-way sealed connector, integrated trailer brake controller and automatic locking rear differential. A new heavy-duty trailer hitch provides a strong link between truck and trailer. Camper mirrors are available to help you see what's happening behind you. And if you need help getting your HD into perfect position to hook up, an available rearview camera system³ gives you eyes in the back of your truck.

When you can handle 21,700 lbs. of maximum fifth-wheel towing^{1,2} – more than Ford F-350 or Dodge – you won't have to say “no” to many trailers. We've even raised our conventional towing capacity to a staggering 17,000 lbs.² – better than any competitor. We get there with a strong, sturdy frame and suspension, **massive rear axles** and available heavy-duty trailering equipment that includes an **automatic locking rear differential**. Tow/Haul mode is standard and helps improve transmission performance when you're hauling a hefty load. To help manage unruly trailers, **Trailer Sway Control** (single rear wheel models only) and an available trailer brake controller are fully integrated with the antilock brake system. Of course, when you're looking to move more than 10 tons, having the available **Duramax 6.6L Turbo-Diesel V8 engine** doesn't hurt either. This powerplant generates **more horsepower and torque than you'll get from Ford or Dodge**. Couple it with the durable Allison six-speed automatic transmission, and it's a combination trailers are going to find hard to resist.

Silverado 2500HD Extended Cab Standard Box LT in Blue Granite Metallic with available features. 1 Requires Regular Cab model with available Duramax 6.6L Turbo-Diesel V8 engine. 2 Maximum trailer weight ratings are calculated assuming a base vehicle, except for any option(s) necessary to achieve the rating, plus driver. The weight of other optional equipment, passengers and cargo will reduce the maximum trailer weight your vehicle can tow. See your Chevy dealer for additional details. 3 LT requires available Convenience Package on 2500HD. LTZ requires available LTZ Plus Package and Convenience Package on 2500HD; requires Ultrasonic Rear Parking Assist and LTZ Plus Package on 3500HD.

	NEW 2011 SILVERADO HD	2011 FORD F-350/F-250	2010 DODGE RAM HD
Max. fifth-wheel towing capacity ^{1,2} (lbs.) (diesel)	21,700	21,600	18,600
Max. ball-hitch towing capacity ² (lbs.) (diesel)	17,000	16,000	12,000
Max. fifth-wheel towing capacity ² (lbs.) (gas)	14,700	15,700	11,300
Max. ball-hitch towing capacity ² (lbs.) (gas)	14,100	15,000	11,300
Max. 2500HD Extended Cab fifth-wheel towing capacity ² (lbs.) (diesel)	17,500	16,500	13,450



2500HD AND 3500HD BALL-HITCH TRAILERING¹ (LBS.)

Weight-carrying hitch limit: 7,500-lb. trailer with 1,000-lb. tongue weight. Weight-distributing hitch with sway control required over 7,500-lb. trailer weight. Please read the Trailering Basics on the next page before towing a trailer with any Chevy Truck.

Engine	Axle Ratio	GCWR ² (lbs.)	Regular Cab Maximum Trailer Weights (lbs.)						Extended Cab Maximum Trailer Weights (lbs.)			
			2500HD Long Box 2WD	3500HD Long Box 2WD	3500HD Big Dooley Long Box 2WD	2500HD Long Box 4x4	3500HD Long Box 4x4	3500HD Big Dooley Long Box 4x4	2500HD Standard Box 2WD	2500HD Long Box 2WD	3500HD Long Box 2WD	3500HD Big Dooley Long Box 2WD
Vortec 6.0L V8/6-speed auto	4.10 3.73	20,500 16,000	13,000 10,200	13,000 —	14,100 9,600	13,000 9,900	13,000 9,700	13,800 9,300	13,000 9,800	13,000 9,700	13,000 9,500	13,600 9,100
Duramax 6.6L Turbo-Diesel V8/Allison 1000 6-speed auto	3.73	24,500 29,200	13,000 —	— —	— —	13,000 —	13,000 —	— 16,000	13,000 —	13,000 —	13,000 —	— 16,500

2500HD AND 3500HD FIFTH-WHEEL TRAILERING¹ (LBS.)

Engine	Axle Ratio	GCWR ² (lbs.)	Regular Cab Maximum Trailer Weights (lbs.)						Extended Cab Maximum Trailer Weights (lbs.)			
			2500HD Long Box 2WD	3500HD Long Box 2WD	3500HD Big Dooley Long Box 2WD	2500HD Long Box 4x4	3500HD Long Box 4x4	3500HD Big Dooley Long Box 4x4	2500HD Standard Box 2WD	2500HD Long Box 2WD	3500HD Long Box 2WD	3500HD Big Dooley Long Box 2WD
Vortec 6.0L V8/6-speed auto	4.10 3.73	20,500 16,000	14,700 10,200	14,500 —	14,100 9,600	14,400 9,900	14,200 9,700	13,800 9,300	14,300 9,800	14,200 9,700	14,000 9,500	13,600 9,100
Duramax 6.6L Turbo-Diesel V8/Allison 1000 6-speed auto	3.73	24,500 29,200	17,800 —	— —	— —	17,500 —	17,400 —	— 21,700	17,500 —	17,400 —	17,300 —	— 21,500

2500HD AND 3500HD MAXIMUM PAYLOAD³ (LBS.)

Model	GVWR ⁴ (lbs.)	Regular Cab		Extended Cab		Crew Cab	
		Long Box	Standard Box	Long Box	Standard Box	Long Box	Standard Box
2500HD 2WD	9,300	3,704	—	—	—	—	—
	9,500	—	3,506	3,404	3,385	3,292	—
	10,000 ⁵	4,192 ⁵	—	—	—	—	—
2500HD 4x4	9,500	3,580	—	3,222	3,123	—	—
	9,900	—	—	—	—	3,375	—
3500HD 2WD SRW	10,400	4,632	—	—	—	—	—
	10,500	—	—	—	4,200	—	—
	10,700	—	—	4,397	—	4,286	—
3500HD 2WD DRW	12,800	6,635	—	—	—	—	—
	13,000	—	—	—	6,332	—	6,223
3500HD 4x4 SRW	10,700	4,566	—	—	—	—	—
	10,800	—	—	—	4,227	—	—
	11,000	—	—	4,420	—	4,268	—
3500HD 4x4 DRW	12,800	6,308	—	—	—	—	—
	13,000	—	—	—	6,055	—	5,905

SRW — Single rear wheel. DRW — Dual rear wheel. ¹ Maximum trailer weight ratings are calculated assuming a base vehicle, except for any option(s) necessary to achieve the rating, plus driver. The weight of other optional equipment, passengers and cargo will reduce the maximum trailer weight your vehicle can tow. See your Chevy dealer for additional details. ² Gross Combination Weight Rating. ³ Maximum payload capacity includes weight of driver, passengers, optional equipment and cargo. ⁴ Gross Vehicle Weight Rating (GVWR). When properly equipped; includes vehicle, passengers, cargo and equipment. ⁵ Requires available High Payload Package. ⁶ Maximum trailer rating may be less depending on powertrain combinations. NOTE: Trailer tongue weight should be 10 to 15 percent of total loaded trailer weight (up to 1,500 lbs. on 2500HD and 3500HD models). Trailer kingpin weight should be 15 to 25 percent of total loaded trailer weight (up to 3,000 lbs. on 2500HD models and up to 3,500 lbs. on 3500HD models). • Addition of trailer tongue weight/trailer kingpin weight cannot cause vehicle weights to exceed Rear Gross Axle Weight Rating (RGAWR) or Gross Vehicle Weight Rating (GVWR). These ratings can be found on the certification label located on the driver door or doorframe. • Fifth-wheel trailer hitch is available as a dealer-installed accessory on select models. See the Trailering Basics for more trailering information.

Crew Cab Maximum Trailer Weights (lbs.)

2500HD Standard Box 4x4	2500HD Long Box 4x4	3500HD Long Box 4x4	3500HD Big Dooley Long Box 4x4	2500HD Standard Box 2WD	2500HD Long Box 2WD	3500HD Standard Box 2WD	3500HD Long Box 2WD	3500HD Big Dooley Long Box 2WD	2500HD Standard Box 4x4	2500HD Long Box 4x4	3500HD Standard Box 4x4	3500HD Long Box 4x4	3500HD Big Dooley Long Box 4x4
13,000 9,500	13,000 9,400	13,000 9,200	13,400 8,900	13,000 9,700	13,000 9,600	13,000 9,500	13,000 9,400	13,500 9,000	13,000 9,400	13,000 9,300	13,000 9,200	13,000 9,100	13,200 8,700
13,000 —	13,000 —	13,000 —	— 17,000	13,000 —	13,000 —	13,000 —	13,000 —	— 16,500	13,000 —	13,000 —	13,000 —	13,000 —	— 17,000

Crew Cab Maximum Trailer Weights (lbs.)

2500HD Standard Box 4x4	2500HD Long Box 4x4	3500HD Long Box 4x4	3500HD Big Dooley Long Box 4x4	2500HD Standard Box 2WD	2500HD Long Box 2WD	3500HD Standard Box 2WD	3500HD Long Box 2WD	3500HD Big Dooley Long Box 2WD	2500HD Standard Box 4x4	2500HD Long Box 4x4	3500HD Standard Box 4x4	3500HD Long Box 4x4	3500HD Big Dooley Long Box 4x4
14,000 9,500	13,900 9,400	13,700 9,200	13,400 8,900	14,200 9,700	14,100 9,600	14,000 9,500	13,900 9,400	13,500 9,000	13,900 9,400	13,800 9,300	13,700 9,200	13,600 9,100	13,200 8,700
17,200 —	16,500 —	16,900 —	— 21,300	17,400 —	17,200 —	17,200 —	17,300 —	— 21,500	16,700 —	15,600 —	17,000 —	16,800 —	— 21,100

TRAILERING BASICS

NOTE: Towing a trailer involves all major vehicle systems of your Chevy Truck. Easy and safe trailering requires a properly equipped vehicle, additional trailering equipment and an appropriate trailer. It also requires loading both the vehicle and trailer properly, using safe driving techniques, meeting regional legal requirements, and following break-in and maintenance schedules. The vehicle owner is responsible for obtaining the proper equipment (hitch ball, hitch type of the proper size, type and capacity) required to safely tow both the trailer and the load that will be towed. For more information, consult your Owner's Manual or speak to a trailering expert at your Chevrolet dealership. These charts will assist in determining how to best equip your Chevy Truck for trailering. To help you understand the charts, consider these trailering factors:

RGAWR AND GVWR: Addition of trailer hitch weight cannot cause vehicle weights to exceed Rear Gross Axle Weight Rating (RGAWR) or Gross Vehicle Weight Rating (GVWR). These ratings can be found on the certification label located on the driver door or doorframe.

GCWR: The Gross Combination Weight Rating is the total allowable weight of the completely loaded vehicle and trailer.

MAXIMUM TRAILER RATING: This rating is determined by subtracting the tow vehicle's weight (curb weight) from the GCWR. When a base vehicle (curb) weight is used, additional passenger, equipment and cargo weight reduces this rating.

NOTE: The safety steps described here are by no means the only precautions to be taken when trailering. See the Owner's Manual for your Chevy Silverado for additional guidelines and trailering tips.

TRAILERING CAUTION: If you don't use the correct equipment and drive properly, you can lose control of your vehicle when you pull a trailer. If the trailer is too heavy, your vehicle brakes may be less effective. You and your passengers could be seriously injured. Pull a trailer only after you have taken the following steps.

TRAILER BRAKES: If your trailer weighs more than 2,000 lbs. loaded, then it must have its own adequate brakes. Be sure to read and follow the instructions for the trailer brake controller so that it is installed, adjusted and maintained properly. • Don't tap into your vehicle's brake system if the trailer's brake system will use more than 0.02 cu. in. of fluid from your vehicle's master cylinder. If it does, neither braking system will work well. • The trailer brake parts must be able to take 3,000 psi of pressure. If everything checks out thus far, have a qualified individual make the brake fluid tap at the master cylinder port that sends fluid to the rear brakes. Use only double-walled steel brake tubing.

HITCHES: It's important to have the correct hitch equipment. • If you'll be towing a trailer that, when loaded, will weigh more than 5,000 lbs.⁶ be sure to use a frame-mounted, weight-distributing hitch and sway control of the proper size. • If you have to make any holes in the body of your vehicle to install a trailer hitch, be sure to seal the holes if you ever remove the hitch. If they're not sealed, dirt, water and deadly carbon monoxide from the exhaust can get into your vehicle.

FIFTH-WHEEL TRAILERING: Silverado pickups can be equipped with a fifth-wheel or gooseneck trailer hitch. • Follow the manufacturer's directions for installation, but note that the hitch must be attached to the truck frame. Do not use the pickup bed for additional support. For proper kingpin tongue load distribution and control of the trailer, the hitch must be mounted so the kingpin load is placed ahead of the rear axle centerline. • Fifth-wheel trailer kingpin loads are higher than conventional trailer tongue loads, so pay careful attention to the truck's payload capacity and rear axle weight ratings. Your Chevy dealer can help you calculate the maximum allowable payload and GVWR required for your fifth-wheel trailering application. The weight of any additional equipment and all passengers other than the driver must be subtracted from the payload weight to determine the maximum kingpin load available.

MUD. SAND. WATER. Z71 CAN HANDLE IT ALL.

Our “no pavement” policy is strictly enforced. And that’s one mandate the legendary Z71 Off-Road Package, available on Silverado HD SRW (single rear wheel) 2WD and 4x4 models, is happy to follow. The **Z71 suspension** lays down the law with 35mm twin-tube high-pressure gas-charged shocks, a 36mm front stabilizer bar, and jounce bumpers that are specifically designed to handle huge suspension inputs. Heading for the deep stuff? There’s a **Skid Plate Package** that includes a frame-mounted shield to help protect the front underbody, oil pan, differential case and transfer case from debris that gets kicked up. And don’t forget the **GM-exclusive automatic locking rear differential** that sends maximum drive power to the wheel with grip whenever rear-wheel slippage happens. All this equipment might seem like overkill for some trucks, but Z71 lives by one rule: Don’t get stuck.

20 INCHES OF WATER

Don’t let a shallow stream stand between you and your next off-road trip. Silverado HD can ford up to 20 inches of standing water when traveling at speeds of up to 5 mph.

Silverado 2500HD Extended Cab Standard Box LTZ 4x4 in Sheer Silver Metallic with available Z71 Off-Road Package.



INTERIOR FEATURES

Everyone needs a place where they can feel comfortable. Heated, leather-appointed front bucket seats in Silverado HD LTZ feature dual-density foam in the cushions and 10-way power adjusters. Combine that with available power-adjustable pedals, and your driver seat is more like your favorite easy chair. An LTZ-exclusive woodgrain-appearance instrument panel that's located down and forward provides added spaciousness and a commanding view of the road. The remote vehicle starter system operates from up to 195 feet away and expands your comfort zone by heating or cooling the interior to your specifications.

Silverado 2500HD Crew Cab LTZ interior in Light Titanium/Dark Titanium with available features.



The power, side-sliding rear window is available on Extended Cab and Crew Cab LT and LTZ. Shown with available dealer-installed Chevy Accessories.



Large, full-drop, power rear side windows lower completely into the rear doors at the touch of a button. Standard on Extended Cab LT and LTZ.



Cavernous storage areas for front-seat passengers are found in LT and LTZ. Shown below is the lockable underseat storage space on LT that boasts a 12-volt electrical outlet.

CONNECTIVITY



Get connected. Stay entertained. Available **Bluetooth® wireless technology**¹ for select phones lets you make, answer and end calls without ever taking your hands off the wheel. **XM Radio**² with three trial months is standard on LT and LTZ and features live sports play-by-play, many commercial-free music channels and more. To further customize your music while you drive, plug your iPod^{®3} or music-loaded flash drive directly into an available **USB port**.⁴ Then it's easy to manage your playlists through the stereo controls. It even charges your iPod for you.

Chevrolet Wi-Fi by Autonet Mobile⁵ It's the perfect accessory for a family on the go. This dealer-installed GM officially licensed accessory delivers reliable Internet access inside the vehicle and within a 150-foot radius around the vehicle, allowing passengers to connect with friends on social sites, stream videos on long trips and even research homework topics during the drive. The Internet connection can support several devices at once, enabling multiple passengers to use the connection.

Protected and connected with OnStar^{®6} Experience the safe, simple way to stay connected on the road. OnStar[®] now standard on most models with the Directions & Connections[®] Plan for six months, includes Automatic Crash Response. In a collision, vehicle sensors can automatically relay critical crash details and alert an OnStar Advisor. The Advisor is immediately connected into your vehicle and can request that emergency help be sent to your exact GPS location, even if you can't respond.

Turn-by-Turn Navigation. A real, live OnStar Advisor can help you get where you're going – even if you don't know the full address. Simply push the OnStar button and an Advisor will download directions to your vehicle. An automated voice calls out every turn as you need it, and upcoming turns and street names are displayed on the radio.

XM NavTraffic⁷ This system enhances your vehicle's available navigation system by showing real-time traffic data when you need it most – while you're driving. It can alert you to construction and accidents to help keep you moving. Available on LT and LTZ models.

Rearview camera system⁸ This available feature is designed to allow the driver to use the rearview mirror (or touch-screen navigation radio screen, if equipped) to see certain stationary obstacles located behind the vehicle while traveling in Reverse at low speeds.

Silverado LT instrument panel in Light Cashmere/Ebony colors with available features. 1 Go to gm.com/bluetooth to find out which phones are compatible with the vehicle. 2 Requires a subscription sold separately by XM after trial period. Available only in the 48 contiguous United States and District of Columbia. Visit gm.xmradio.com for details. 3 iPod is a mobile digital device. iPod is a registered trademark of Apple, Inc. All rights reserved. 4 Not compatible with all devices. 5 Monthly rate applies. Visit autonetmobile.com for details and coverage map. 6 Visit onstar.com for coverage map, details and system limitations. Services vary by model and conditions. OnStar acts as a link to existing emergency service providers. 7 Requires available navigation radio. Requires a subscription sold separately by XM after trial period. Available only in select markets. For more information, see xmradio.com/navtraffic. 8 LT requires available Convenience Package on 2500HD. LTZ requires available LTZ Plus Package and Convenience Package on 2500HD; requires Ultrasonic Rear Parking Assist and LTZ Plus Package on 3500HD.



Silverado HD Work Truck will never complain that the day's too long. Or the job's too hard. Or there's just too much to do. That work ethic comes from the structural integrity of a high-strength steel frame and wide rear leaf springs that can **handle more payload than Ford or Dodge – up to 6,635 lbs!** Under the hood, the Vortec 6.0L V8 provides plenty of muscle. Or you can choose the available Duramax 6.6L Turbo-Diesel V8 engine. With 397 horsepower and 765 lb.-ft. of torque, it turns Silverado HD into **the most powerful heavy-duty ever made.** And every Work Truck (WT) has a removable tailgate and a **strong, stamped box** that's more than four-feet wide with stake pockets, two-tier loading capability and four cargo tie-downs. Speaking of boxes, Extended Cab and Crew Cab models offer either a **6.5- or 8-foot long box** for plenty of hauling capability. Looks like someone's ready for a 70-hour workweek.

Shown at left: Silverado 2500HD Regular Cab Long Box WT in Summit White. Shown below: Silverado 2500HD LTZ in Sheer Silver Metallic with available features. ¹ Requires Regular Cab model and gas engine. Maximum payload capacity includes weight of driver, passengers, optional equipment and cargo. ² Cargo and load capacity limited by weight and distribution.



SNOW PLOW-READY

Every HD 4x4 model can easily accommodate a snow plow with the available Snow Plow Prep Package, thanks in part to massive precision-forged control arms and a Front Gross Axle Weight Rating of up to 6,000 lbs. And unlike Ford or Dodge, Silverado HD incorporates torsion bars that allow an owner to easily adjust the front of the vehicle back to its normal ride height, even with the weight of a plow attached.

“...A MASSIVE UPGRADE...
IN CAPABILITY AND
CONSTRUCTION.”

— PICKUPTRUCKS.COM, FEBRUARY 2010

“...MUCH MORE CAPABLE THAN EVER BEFORE.”

— MOTOR TREND'S TRUCK TREND

When you spend 95% of your workweek away from the office, you need a vehicle that's 100% custom-made for business on the go. Extended Cab models offer easy access to the interior with rear doors that open wider than any other full-size pickup. Once inside, you'll find both Extended Cab and Crew Cab have rear bench seats that flip up to offer tons of cargo space. Silverado HD interiors are comfortable and usable, with large grab handles and controls that can be operated with gloved hands. You'll also find big cup holders, air conditioning to cool things down and a front seat that offers loads of space in the center compartment. Dual glove boxes provide easily accessible storage. And after a long day, the rubberized vinyl floor covering in Work Truck (WT) models makes for easy cleanup.

Silverado 2500HD Extended Cab Standard Box LT 4x4 in Sheer Silver Metallic with available features. 1 164 degrees on 3500HD Big Dooley models. 2 Monthly rate applies. Visit autonetmobile.com for details and coverage map.



DUAL GLOVE BOXES

Dual glove boxes are standard on Silverado HD WT and LT. These two convenient areas provide nearly 9 liters of combined cargo space. Add all this room to the center armrest and lockable underseat storage compartments in LT for a grand total of nearly 24 liters of cargo-swallowing space.



MOBILE WI-FI

Turn every job site into a hot spot with available Chevrolet Wi-Fi by Autonet Mobile.² This dealer-installed GM officially licensed accessory provides multiple users with full Internet access inside the vehicle and – unlike Ford's Work Solutions – within a 150-foot radius around the vehicle. That means instead of being tethered to your vehicle, you can take a mobile Wi-Fi device or laptop to the job site. And when used with a laptop computer, the information comes in a larger, easier-to-navigate format than cell phones or the small display of the Ford screen. For work site use, the Wi-Fi connection offers immediate access to everything the Web offers to make the job quicker and easier – from online ordering sites to municipal sites with permit and building code information and more.

DOORS OPEN 170 DEGREES¹

Getting people or gear in and out of the rear of Silverado HD Extended Cab is easy, thanks to rear doors that open wider than any other full-size pickup.



“...THE NEW SILVERADO HD IS A WORKHORSE...”

— CARANDDRIVER.COM, FEBRUARY 2010

Things that last, things you can count on, start with a strong foundation. And truck foundations don't get much stronger than the one found on Silverado 3500HD Regular Cab and Crew Cab Chassis Cab, including all-new front and rear suspensions and a high-strength C-channel frame. With **GVWRs¹ up to 13,200 lbs.**, it's a solid cornerstone for a dump body, service body, flat bed or newly available Ambulance Prep Package.

Making sure you have all the muscle you need for any job are the standard Vortec 6.0L V8 gas engine and the available Duramax 6.6L Turbo-Diesel V8 engine that features **more diesel horsepower and torque than any other heavy-duty chassis cab.** In addition, you can decide the size of your fuel tank. Consider how many miles you can cover with the standard tanks holding 63.5 gallons of fuel. Or choose just a front 23.5-gallon or rear 40-gallon tank.

Standard six-speed transmissions include **Tap-Up/Tap-Down driver shift control, Tow/Haul mode and auto grade braking.** The Allison transmission, included with the available Duramax Diesel, brings **Power Takeoff (PTO) provisions³** to power auxiliary equipment such as a dump body or hydraulic motors for generators or tools.

Silverado 3500HD Crew Cab Chassis Cab LT in Sheer Silver Metallic with equipment from an independent supplier. See page 41 for more information about alterations and warranties. ¹ Gross Vehicle Weight Rating (GVWR). When properly equipped; includes weight of vehicle, driver, passengers, cargo and optional equipment. ² Based on GM testing. ³ Additional equipment is required for PTO installation by an independent supplier. The provisions for PTO include an instrument panel switch, an electrical interface and an internal PTO gear in the transmission.

SILVERADO 3500HD CHASSIS CAB

Maximum Gross Vehicle Weight Rating ¹ (GVWR) (lbs.)	13,200
Maximum Gross Combined Weight Rating (GCWR) (lbs.)	27,500
Maximum 2WD Front Gross Axle Weight Rating (FGAWR) (lbs.)	5,600
Maximum 4x4 Front Gross Axle Weight Rating (FGAWR) (lbs.)	6,000
Maximum payload (lbs.) (gas)	7,293
Rear Gross Axle Weight Rating (RGAWR) (lbs.)	9,750
Cab-to-axle measurement (in.) (Regular Cab)	60/84
Cab-to-axle measurement (in.) (Crew Cab)	60



CHEVY ACCESSORIES

CARGO MANAGEMENT SYSTEM

Available from Chevy Accessories, the dealer-installed Cargo Management System utilizes sliding hooks embedded in C-channel tracks that run along both sides and the front of the pickup box. Each anchor in this integrated, configurable system is rated up to 500 lbs¹ and can be fitted with available dealer-installed Chevy Accessories such as this sliding tool box and overhead rack system.

Shown below: Silverado 2500HD Crew Cab Long Box LT 4x4 in Sheer Silver Metallic with available features and Chevy Accessories, including the Cargo Management System, sliding tool box, bedliner, bed rail protectors and six-inch chrome assist steps. Shown at right: Chevy Accessories shown on Silverado HD in Steel Green Metallic. ¹ Cargo and load capacity limited by weight and distribution.



Six-inch chrome assist steps



Chrome tow hooks



Three-piece soft tonneau cover



Chrome mirror caps



Chrome door handles



Stationary tool box



Molded splash guards



Molded hood protector

SILVERADO HD WHEELS



17" Steel
(2500HD)

17" Chrome-Clad Steel
(2500HD)

17" Machined-Aluminum
(2500HD)

17" Steel
(3500HD Dual Rear Wheel)

17" Steel with Chrome Overlay
(3500HD Dual Rear Wheel)

18" Steel
(2500HD/3500HD
Single Rear Wheel)

18" Polished Forged-Aluminum
(2500HD/3500HD Single Rear Wheel)

20" Polished Forged-Aluminum¹ (2500HD)
¹ Use only GM-approved tire and wheel combinations. Unapproved combinations may change the vehicle's performance characteristics. For important tire and wheel information, go to gmaccessorieszone.com or see your dealer for details.

SILVERADO HD COLORS



Imperial Blue Metallic



Victory Red



Steel Green Metallic



Blue Granite Metallic



Black



Summit White



Sheer Silver Metallic

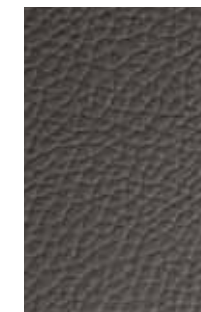


Taupe Gray Metallic



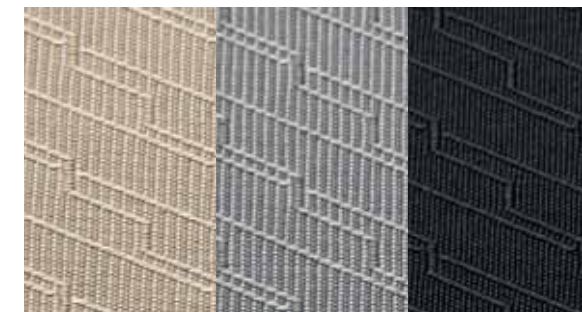
Silverado 2500HD Extended Cab LT interior in Light Cashmere color with available features.

VINYL



Dark Titanium (standard on WT)

PREMIUM CLOTH



Light Cashmere color (standard on LT)

Light Titanium (standard on LTZ)

Ebony (available on WT)

LEATHER APPOINTMENTS



Light Cashmere color (standard on LTZ; available on LT)

Light Titanium (standard on LTZ; available on LT)

Ebony (standard on LTZ; available on LT)

SILVERADO HD REGULAR CAB BUYER'S GUIDE

S = Standard O = Optional -- = Not Available

EXTERIOR	WT	LT
Bumper: — front, chrome — rear, chrome; step-style with pad ¹	S	S
Door handles: Black	S	S
Grille: chrome surround	S	S
Mirrors: — Black, folding — Black, folding, power, heated (2500HD) — Black, trailing, high-visibility vertical, manual-folding and extendable; with lower convex spotter glass — Black, trailing, vertical, power, heated, manual-folding and extendable; with turn-signal indicators and lower convex spotter glass (2500HD/3500HD)	S — 0	— S —
Recovery hooks: two front	S	S
CHASSIS	WT	LT
Air cleaner: high-capacity	S	S
Differential: automatic locking rear (standard on 3500HD Regular Cab 2WD DRW and all 3500HD SRW models)	0	0
Engine block heater	0	0
Exhaust brake system: diesel ³	S	S
Fuel capacity (approximate): 36-gallon (63.5-gallon tanks standard on Chassis Cab; or front 23.5- or rear 40-gallon tank available)	S	S
Oil coolers: — engine, heavy-duty, external — transmission, auxiliary, heavy-duty, external	S S	S S
Skid Plate Package: ⁴ frame-mounted shield protecting front underbody, oil pan, differential case and transfer case (4x4)	0	0
Snow Plow Prep Package: 10-amp power for backup and roof emergency light, high-flow front bumper, forward lamp wiring harness, provision for cab roof-mounted lamp and Skid Plate Package (4x4)	0	0
Steering: power, recirculating ball	S	S
Suspension, front: independent, torsion bar	S	S
Suspension, rear: multi-stage; with multi-leaf asymmetrical springs	S	S
Suspension packages: — Z85 Handling/Trailerling — Z71 Off-Road ¹ (SRW)	S —	S 0 ⁵
Trailerling Package: ¹ trailer hitch platform and 2.5" receiver with 2" adapter, 7-wire harness mated to 7-way sealed connector, integrated trailer brake controller and automatic locking rear differential	0	0
Transfer cases (4x4 only): — floor-mounted, manual shift-on-the-fly — electronic, with rotary dial	S —	— S
Z71 Off-Road Package: ¹ Skid Plate Package; off-road jounce bumpers, shock absorbers and stabilizer bars; and Z71 decals (SRW)	—	0 ⁵
SEATING	WT	LT
Vinyl 40/20/40 split-bench front seat with recliners and fold-down center armrest with storage	S	—
Cloth 40/20/40 split-bench front seat with recliners and fold-down center armrest with storage	0	—
Premium Cloth 40/20/40 split-bench front seat with recliners, fold-down center armrest with storage and lockable underseat storage	—	S

INTERIOR	WT	LT
Bluetooth [®] wireless technology ⁶ for select phones	0 ⁷	0 ⁷
Climate (temperature) control: single-zone, manual	S	S
Cruise control	0	S
Defogger: rear-window	0	0
Door locks: power, programmable; with Remote Keyless Entry	0	S
Driver Information Center (DIC) display	S	S
DIC controls	0 ⁸	0 ⁹
Glove boxes: dual	S	S
Interior Plus Package: six-way power-adjustable driver seat, CD/MP3 player and USB port ¹⁰ steering wheel-mounted audio controls, Bluetooth [®] wireless technology ⁶ for select phones, EZ Lift locking tailgate and foglamps	—	0
Remote vehicle starter system	—	0 ¹¹
Steering column: Tilt-Wheel, adjustable	S	S
Steering wheel-mounted audio and cruise controls	0 ⁸	0 ⁹
Windows: power, with driver's Express-Down feature	—	S

SAFETY AND SECURITY

Air bags: ¹² — driver and right-front passenger — head-curtain with rollover sensor (2500HD) — seat-mounted for thorax and pelvic protection ¹³ (2500HD)	S 0 0	S 0 0
Brake controller: trailer, ABS-integrated ⁵	0	0
Brakes: four-wheel disc (ABS), with Dynamic Rear Proportioning	S	S
OnStar: ¹⁴ with Directions & Connections Plan for the first six months	0	S
StabiliTrak Electronic Stability Control System with Trailer Sway Control and Hill Start Assist ¹ (SRW)	S	S

AUDIO SYSTEMS

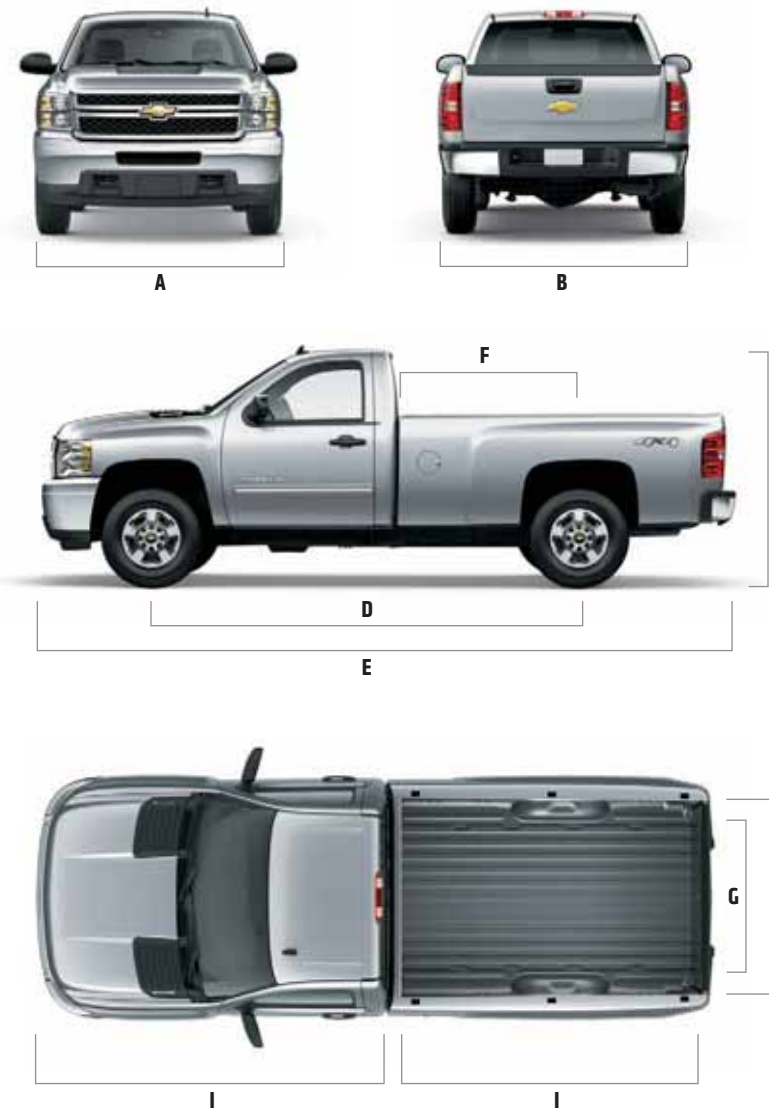
AM/FM stereo	S	—
AM/FM stereo with CD/MP3 player	0	S
AM/FM stereo with CD/MP3 player and USB port ¹⁰	—	0 ⁹
AM/FM stereo with in-dash six-disc CD/MP3 changer and USB port ¹⁰	—	0 ⁹
XM Radio: ¹⁵ with three trial months	0 ⁷	S

WHEELS

17" steel (2500HD)	S	—
17" steel (3500HD DRW and Chassis Cab)	S	—
17" chrome-clad steel (2500HD)	0	—
17" machined-aluminum (2500HD)	—	S
17" steel with chrome overlay (3500HD DRW and Chassis Cab)	—	S
18" steel (2500HD/3500HD SRW)	0/S	—
18" polished forged-aluminum (2500HD/3500HD SRW)	—	0/S

PICKUP MODEL	SERIES	DRIVE	TRIM LEVELS	STANDARD ENGINE	HP @ RPM	TORQUE @ RPM	STANDARD TRANSMISSION	OPTIONAL ENGINE	HP @ RPM	TORQUE @ RPM
REGULAR CAB LONG BOX	2500HD (3/4-ton)	2WD/4x4	Work Truck, LT	Vortec 6.0L V8	360 @ 5400 ¹⁶	380 @ 4200	Hydra-Matic 6-speed automatic overdrive	Duramax 6.6L Turbo-Diesel V8	397 @ 3000 ¹⁷	765 @ 1600 ¹⁷
	3500HD (1-ton)	2WD/4x4	Work Truck, LT	Vortec 6.0L V8	322 @ 4400	380 @ 4200	Hydra-Matic 6-speed automatic overdrive	Duramax 6.6L Turbo-Diesel V8 ¹⁸	397 @ 3000 ¹⁷	765 @ 1600 ¹⁷
REGULAR CAB CHASSIS CAB	3500HD (1-ton)	2WD/4x4	Work Truck, LT	Vortec 6.0L V8	322 @ 4400	380 @ 4200	Hydra-Matic 6-speed automatic overdrive	Duramax 6.6L Turbo-Diesel V8	335 @ 3100	685 @ 1600

SRW — Single rear wheel. DRW — Dual rear wheel. ¹ Not available on Chassis Cab models. ² Requires available auto-dimming inside rearview mirror or auto-dimming inside rearview mirror with rear camera display. ³ Requires available Duramax 6.6L Turbo-Diesel V8 engine. ⁴ Included with Z71 Off-Road Package and Snow Plow Prep Package. 2WD models require available Z71 Off-Road Package. ⁵ Requires available Trailerling Package. ⁶ Go to gm.com/bluetooth to find out which phones are compatible with the vehicle. ⁷ Requires available OnStar and AM/FM stereo with CD/MP3 player. ⁸ Requires available Bluetooth wireless technology. ⁹ Requires available Interior Plus Package. ¹⁰ Not compatible with all devices. ¹¹ Requires available Convenience Package. ¹² Always use safety belts and the correct restraint for your child's age and size. Even in vehicles equipped with the Passenger Sensing System, children are safer when properly secured in a rear seat in the appropriate infant, child or booster seat. Never place a rear-facing infant restraint in the front seat of any vehicle equipped with a passenger air bag. See the Owner's Manual and child safety seat instructions for more information. ¹³ Requires available head-curtain air bags. ¹⁴ Visit onstar.com for coverage map, details and system limitations. Services vary by model and conditions. ¹⁵ Requires a subscription sold separately by XM after trial period. Available only in the 48 contiguous United States and District of Columbia. Visit gm.xmradio.com for details. ¹⁶ 322 horsepower on HD models with box delete vehicles. ¹⁷ 335 horsepower/685 lb.-ft. of torque on HD models with box delete. ¹⁸ Requires box delete on 2WD models.



Dimensions

- A = 80.0"
- B = 80.0" (SRW),
95.9" (3500HD Big Dooley)
- C = 77.4" to 77.6"
(depending on model and tire size selected)
- D = 133.7" Long Box
- E = 225.0" Long Box
- F = 56.0" Long Box,
59.8" Short Wheelbase (Chassis Cab),
84.3" Long Wheelbase (Chassis Cab)
- G = 50.6"
- H = 62.5"
- I = 116.5"
- J = 97.8" Long Box

SILVERADO HD EXTENDED CAB BUYER'S GUIDE

S = Standard O = Optional -- = Not Available

EXTERIOR

	WT	LT	L TZ
Bumper: — front, chrome	S	S	S
— rear, chrome; step-style with pad	S	S	S
Door handles: — Black	S	S	—
— body-color	—	—	S
Foglamps: halogen	—	0 ¹	S
Grille: chrome surround	S	S	S
L TZ Plus Package: EZ Lift locking tailgate, Universal Home Remote transmitter, power-adjustable pedals and Ultrasonic Rear Parking Assist; SRW models include rear wheelhouse liners from Chevy Accessories	—	—	0
Mirrors: — Black, folding	S	—	—
— Black, folding, power, heated (2500HD)	—	S	—
— body-color, power, heated; with turn-signal indicators in glass, driver-side auto-dimming feature and power-folding feature (2500HD)	—	—	S
— Black, trailing, high-visibility vertical, manual-folding and extendable; with lower convex spotter glass	0	—	—
— Black, trailing, vertical, power, heated, manual-folding and extendable; with turn-signal indicators and lower convex spotter glass (2500HD/3500HD)	—	0 ² /S	0/S
Recovery hooks: two front	S	S	S
Ultrasonic Rear Parking Assist ³	—	0	0

CHASSIS

Air cleaner: high-capacity	S	S	S
Differential: automatic locking rear (standard on all 3500HD SRW)	0	0	S
Engine block heater	0	0	0
Exhaust brake system: diesel ⁴	S	S	S
Fuel capacity (approximate): 36-gallon	S	S	S
Oil coolers: — engine, heavy-duty, external	S	S	S
— transmission, auxiliary, heavy-duty, external	S	S	S
Skid Plate Package: ⁵ frame-mounted shield protecting front underbody, oil pan, differential case and transfer case (4x4)	0	0	0
Snow Plow Prep Package: 10-amp power for backup and roof emergency light, high-flow front bumper, forward lamp wiring harness, provision for cab roof-mounted lamp and Skid Plate Package (4x4)	0	0	0
Steering: power, recirculating ball	S	S	S
Suspension, front: independent, torsion bar	S	S	S
Suspension, rear: multi-stage; with multi-leaf asymmetrical springs	S	S	S
Suspension packages: — Z85 Handling/Trailer	S	S	S
— Z71 Off-Road (SRW)	—	0 ⁶	0 ⁶
Trailer Package: trailer hitch platform and 2.5" receiver with 2" adapter, 7-wire harness mated to 7-way sealed connector, integrated trailer brake controller and automatic locking rear differential	0	0	S
Transfer cases (4x4 only): — floor-mounted, manual shift-on-the-fly	S	—	—
— electronic, with rotary dial	—	S	S
Z71 Off-Road Package: Skid Plate Package; off-road jounce bumpers, shock absorbers and stabilizer bars; and Z71 decals (SRW)	—	0 ⁶	0 ⁶

SEATING

Vinyl 40/20/40 split-bench front seat with recliners and fold-down center armrest with storage	S	—	—
Cloth 40/20/40 split-bench front seat with recliners and fold-down center armrest with storage	0	—	—
Premium Cloth 40/20/40 split-bench front seat with recliners, fold-down center armrest with storage and lockable underseat storage (also available with Custom Leather-appointed trim)	—	S	—
Premium Cloth, reclining, six-way power-adjustable front bucket seats (also available with Custom Leather-appointed trim)	—	0	—
Custom Leather-appointed, reclining, heated, 10-way power-adjustable front bucket seats with memory	—	—	S
Rear seat: — flip-up, full-width bench	S	—	—
— flip-up, 60/40 split-bench	—	S	S

INTERIOR

	WT	LT	L TZ
Bluetooth [®] wireless technology ⁷ for select phones	0 ⁸	0 ⁹	S
Climate (temperature) control: single-zone, manual	S	S	—
Climate (temperature) controls: dual-zone, automatic	—	0 ¹⁰	S
Cruise control	0	S	S
Convenience Package: power-adjustable pedals, Ultrasonic Rear Parking Assist, rear-window defogger, Universal Home Remote transmitter and remote vehicle starter system	—	0	—
Defogger: rear-window ¹⁰	0	0	S
Door locks: power, programmable, with Remote Keyless Entry	0	S	S
Glove boxes: dual	S	S	—
Interior Plus Package: six-way power-adjustable driver seat, CD/MP3 player and USB port, ¹¹ steering wheel-mounted audio controls, Bluetooth [®] wireless technology ⁷ for select phones, dual-zone automatic temperature controls, EZ Lift locking tailgate and foglamps	—	0	—
Mirror, inside rearview: auto-dimming (2500HD/3500HD)	—	0 ¹² /S	S/S
Rearview camera system (with display in rearview mirror or nav screen)	—	0 ¹³	0 ¹⁴
Remote vehicle starter system	—	0 ¹⁵	S
Sunroof: power-sliding, with Express-Open feature and wind deflector	—	—	0 ¹⁴
Window: power-sliding, rear ¹⁶	—	0	0
Windows: power, full-drop, with driver's Express-Down feature	—	S	S

SAFETY AND SECURITY

Air bags: ¹⁷ — driver and right-front passenger	S	S	S
— head-curtain with rollover sensor (2500HD)	0	0	0
— seat-mounted for thorax and pelvic protection ¹⁸ (2500HD)	0	0	0
Brake controller: trailer, ABS-integrated ⁶	0	0	0
Brakes: four-wheel disc (ABS), with Dynamic Rear Proportioning	S	S	S
OnStar: ¹⁹ with Directions & Connections Plan for the first six months	0	S	S
StabiliTrak Electronic Stability Control System with Trailer Sway Control and Hill Start Assist (SRW)	S	S	S

AUDIO SYSTEMS

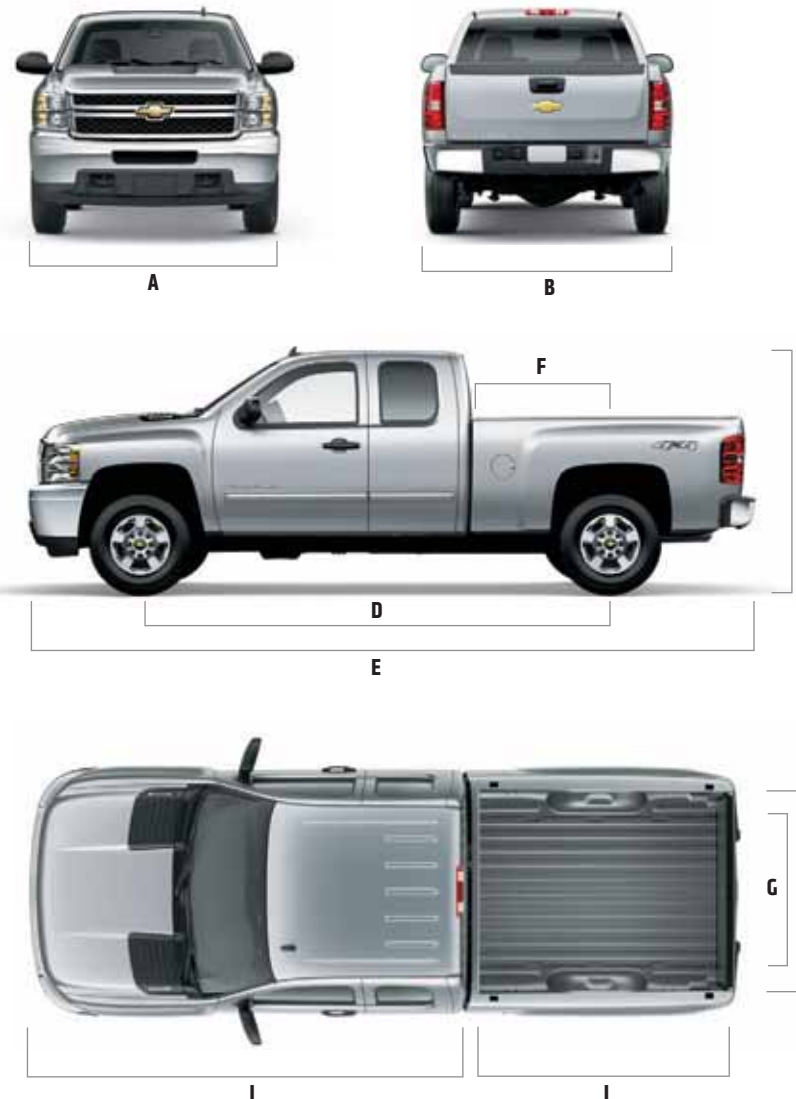
AM/FM stereo	S	—	—
AM/FM stereo with CD/MP3 player	0	S	—
AM/FM stereo with CD/MP3 player and USB port ¹¹	—	0 ¹	S
AM/FM stereo with in-dash six-disc CD/MP3 changer and USB port ¹¹	—	0 ¹	0
Bose [®] sound system	—	0 ²⁰	S
Touch-screen navigation radio ²¹	—	0 ²²	0
XM Radio: ²³ with three trial months	0 ⁸	S	S
XM NavTraffic: ²⁴ with three trial months	—	0	0

WHEELS

17" steel (2500HD)	S	—	—
17" steel (3500HD DRW)	S	—	—
17" chrome-clad steel (2500HD)	0	—	—
17" machined-aluminum (2500HD)	—	S	—
17" steel with chrome overlay (3500HD DRW)	—	S	S
18" steel (2500HD/3500HD SRW)	0/S	—	—
18" polished forged-aluminum (2500HD/3500HD SRW)	—	0/S	S/S
20" polished forged-aluminum ²⁵ (2500HD)	—	0	0

PICKUP MODEL	SERIES	DRIVE	TRIM LEVELS	STANDARD ENGINE	HP @ RPM	TORQUE @ RPM	STANDARD TRANSMISSION	OPTIONAL ENGINE	HP @ RPM	TORQUE @ RPM
EXTENDED CAB STANDARD BOX	2500HD (3/4-ton)	2WD/4x4	Work Truck, LT, LTZ	Vortec 6.0L V8	360 @ 5400 ²⁶	380 @ 4200	Hydra-Matic 6-speed automatic overdrive	Duramax 6.6L Turbo-Diesel V8	397 @ 3000 ²⁷	765 @ 1600 ²⁷
EXTENDED CAB LONG BOX	2500HD (3/4-ton)	2WD/4x4	Work Truck, LT, LTZ	Vortec 6.0L V8	360 @ 5400 ²⁶	380 @ 4200	Hydra-Matic 6-speed automatic overdrive	Duramax 6.6L Turbo-Diesel V8	397 @ 3000 ²⁷	765 @ 1600 ²⁷
	3500HD (1-ton)	2WD/4x4	Work Truck, LT, LTZ	Vortec 6.0L V8	322 @ 4400	380 @ 4200	Hydra-Matic 6-speed automatic overdrive	Duramax 6.6L Turbo-Diesel V8	397 @ 3000 ²⁷	765 @ 1600 ²⁷

SRW — Single rear wheel. DRW — Dual rear wheel. **1** Requires available Interior Plus Package. **2** Requires available auto-dimming inside rearview mirror or auto-dimming inside rearview mirror with rear camera display. **3** Requires available Convenience Package on 2500HD; requires power-adjustable pedals and rear-window defogger or power-sliding rear window on 3500HD. **4** Requires available Duramax 6.6L Turbo-Diesel V8 engine. **5** Included with Z71 Off-Road Package and Snow Plow Prep Package. 2WD models require available Z71 Off-Road Package. **6** Requires available Trailer Package. **7** Go to gm.com/bluetooth to find out which phones are compatible with the vehicle. **8** Requires available OnStar and AM/FM stereo with CD/MP3 player. **9** Not available with Snow Plow Prep Package. **10** Not available with power-sliding rear window. **11** Not compatible with all devices. **12** Requires available rearview camera system or camper mirrors. **13** Requires available Convenience Package on 2500HD. **14** Requires available LTZ Plus Package. **15** Requires available Convenience Package. **16** Not available with rear-window defogger. **17** Always use safety belts and the correct restraint for your child's age and size. Even in vehicles equipped with the Passenger Sensing System, children are safer when properly secured in a rear seat in the appropriate infant, child or booster seat. Never place a rear-facing infant restraint in the front seat of any vehicle equipped with a passenger air bag. See the Owner's Manual and child safety seat instructions for more safety information. **18** Requires available head-curtain air bags. **19** Visit onstar.com for coverage map, details and system limitations. Services vary by model and conditions. **20** Requires available front bucket seats. **21** Map coverage excludes Puerto Rico, the Virgin Islands and portions of Canada. **22** Requires available Interior Plus Package and front bucket seats. **23** Requires a subscription sold separately by XM after trial period. Available only in the 48 contiguous United States and District of Columbia. Visit gm.xmradio.com for details. **24** Requires available navigation radio. Requires a subscription sold separately by XM after trial period. Available only in select markets. For more information, see xmradio.com/navtraffic. **25** Use only GM-approved tire and wheel combinations. Unapproved combinations may change the vehicle's performance characteristics. For important tire and wheel information, go to gmaccessorieszone.com or see your dealer for details. **26** 322 horsepower on HD models with box delete vehicles. **27** 335 horsepower/685 lb.-ft. of torque on HD models with box delete.



DIMENSIONS

- A** = 80.0"
- B** = 80.0" (SRW), 95.9" (3500HD Big Dooley)
- C** = 77.4" to 77.9" (depending on model and tire size selected)
- D** = 144.2" Standard Box, 158.2" Long Box
- E** = 230.6" Standard Box, 249.5" Long Box
- F** = 41.6" Standard Box (2500HD), 55.6" Long Box
- G** = 50.6"
- H** = 62.5"
- I** = 141.4"
- J** = 78.9" Standard Box, 97.8" Long Box

SILVERADO HD CREW CAB BUYER'S GUIDE

S = Standard O = Optional -- = Not Available

EXTERIOR	WT	LT	LTZ ¹
Bumper: — front, chrome — rear, chrome; step-style with pad ¹	S	S	S
Door handles: — Black — body-color ¹	S	S	—
Foglamps: halogen	—	O ²	S
Grille: chrome surround	S	S	S
LTZ Plus Package: ¹ EZ Lift locking tailgate, Universal Home Remote transmitter, power-adjustable pedals and Ultrasonic Rear Parking Assist; SRW models include rear wheelhouse liners from Chevy Accessories	—	—	O
Mirrors: — Black, folding — Black, folding, power, heated (2500HD) — body-color, power, heated; with turn-signal indicators in glass, driver-side auto-dimming feature and power-folding feature (2500HD) — Black, trailering, high-visibility vertical, manual-folding and extendable; with lower convex spotter glass — Black, trailering, vertical, power, heated, manual-folding and extendable; with turn-signal indicators and lower convex spotter glass (2500HD/3500HD)	S	—	—
Recovery hooks: two front	S	S	S
Ultrasonic Rear Parking Assist ¹⁴	—	O	O

CHASSIS	WT	LT	LTZ ¹
Air cleaner: high-capacity	S	S	S
Differential: automatic locking rear (standard on all 3500HD SRW)	O	O	S
Engine block heater	O	O	O
Exhaust brake system: diesel ⁵	S	S	S
Fuel capacity (approximate): 36-gallon (63.5-gallon tanks standard on Chassis Cab; or front 23.5- or rear 40-gallon tank available)	S	S	S
Oil coolers: — engine, heavy-duty, external — transmission, auxiliary, heavy-duty, external	S	S	S
Skid Plate Package: ⁶ frame-mounted shield protecting front underbody, oil pan, differential case and transfer case (4x4)	O	O	O
Snow Plow Prep Package: 10-amp power for backup and roof emergency light, high-flow front bumper, forward lamp wiring harness, provision for cab roof-mounted lamp and Skid Plate Package (4x4)	O	O	O
Steering: power, recirculating ball	S	S	S
Suspension, front: independent, torsion bar	S	S	S
Suspension, rear: multi-stage; with multi-leaf asymmetrical springs	S	S	S
Suspension packages: — Z85 Handling/Trailering — Z71 Off-Road ¹ (SRW)	S	S	S
Trailering Package: ¹ trailer hitch platform and 2.5" receiver with 2" adapter, 7-wire harness mated to 7-way sealed connector, integrated trailer brake controller and automatic locking rear differential	O	O	S
Transfer cases (4x4 only): — floor-mounted, manual shift-on-the-fly — electronic, with rotary dial	S	—	—
Z71 Off-Road Package: ¹ Skid Plate Package; off-road jounce bumpers, shock absorbers and stabilizer bars; and Z71 decals (SRW)	—	O ¹	O ¹

SEATING	WT	LT	LTZ ¹
Vinyl 40/20/40 split-bench front seat with recliners and fold-down center armrest with storage	S	—	—
Cloth 40/20/40 split-bench front seat with recliners and fold-down center armrest with storage	O	—	—
Premium Cloth 40/20/40 split-bench front seat with recliners, fold-down center armrest with storage and lockable underseat storage (also available with Custom Leather-appointed trim)	—	S	—
Premium Cloth, reclining, six-way power-adjustable front bucket seats (also available with Custom Leather-appointed trim)	—	O	—
Custom Leather-appointed, reclining, heated, 10-way power-adjustable front bucket seats with memory	—	—	S
Rear seat: flip-up, 60/40 split-bench	S	S	S

INTERIOR	WT	LT	LTZ ¹
Bluetooth ⁸ wireless technology ⁸ for select phones	O ³	O ²	S
Climate (temperature) control: single-zone, manual	S	S	—
Climate (temperature) controls: dual-zone, automatic	—	O ^{2/10}	S
Cruise control	O	S	S
Convenience Package: ¹ power-adjustable pedals, Ultrasonic Rear Parking Assist, rear-window defogger, Universal Home Remote transmitter and remote vehicle starter system	—	O	—
Defogger: rear-window ¹¹	O	O	S
Door locks: power, programmable, with Remote Keyless Entry	S	S	S
Glove boxes: dual	S	S	—
Interior Plus Package: six-way power-adjustable driver seat, CD/MP3 player and USB port, ¹² steering wheel-mounted audio controls, Bluetooth ⁸ wireless technology ⁸ for select phones, dual-zone automatic temperature controls, EZ Lift locking tailgate and foglamps	—	O	—
Mirror, inside rearview: auto-dimming (2500HD/3500HD)	—	O ^{13/5}	S/S
Rearview camera system ¹ (with display in rearview mirror or nav screen)	—	O ^{10/14}	O ¹⁵
Remote vehicle starter system	—	O ¹⁶	S
Sunroof: ¹ power-sliding, with Express-Open feature and wind deflector	—	—	O ¹⁵
Window: power-sliding, rear ¹⁷	—	O	O
Windows: power, full-drop, with driver's Express-Down feature	—	S	S

SAFETY AND SECURITY	WT	LT	LTZ ¹
Air bags: ¹⁸ — driver and right-front passenger — head-curtain with rollover sensor (2500HD) — seat-mounted for thorax and pelvic protection ¹⁹ (2500HD)	S	S	S
Brake controller: trailer, ABS-integrated ⁷	O	O	O
Brakes: four-wheel disc (ABS), with Dynamic Rear Proportioning	S	S	S
OnStar: ²⁰ with Directions & Connections Plan for the first six months	O	S	S
StabiliTrak Electronic Stability Control System with Trailer Sway Control and Hill Start Assist ¹ (SRW)	S	S	S

AUDIO SYSTEMS	WT	LT	LTZ ¹
AM/FM stereo	S	—	—
AM/FM stereo with CD/MP3 player	O	S	—
AM/FM stereo with CD/MP3 player and USB port ¹²	—	O ²	S
AM/FM stereo with in-dash six-disc CD/MP3 changer and USB port ¹²	—	O ²	O
Bose [®] sound system	—	O ²¹	S
DVD entertainment system: ¹ with rear-seat audio controls	—	—	O
Touch-screen navigation radio ²²	—	O ²³	O
XM Radio: ²⁴ with three trial months	O ³	S	S
XM NavTraffic: ²⁵ with three trial months	—	O	O

WHEELS	WT	LT	LTZ ¹
17" steel (2500HD)	S	—	—
17" steel (3500HD DRW and Chassis Cab)	S	—	—
17" chrome-clad steel (2500HD)	O	—	—
17" machined-aluminum (2500HD)	—	S	—
17" steel with chrome overlay (3500HD DRW and Chassis Cab)	—	S	S
18" steel (2500HD/3500HD SRW)	O/S	—	—
18" polished forged-aluminum (2500HD/3500HD SRW)	—	O/S	S/S
20" polished forged-aluminum ¹⁶ (2500HD)	—	O	O

PICKUP MODEL	SERIES	DRIVE	TRIM LEVELS	STANDARD ENGINE	HP @ RPM	TORQUE @ RPM	STANDARD TRANSMISSION	OPTIONAL ENGINE	HP @ RPM	TORQUE @ RPM
CREW CAB STANDARD BOX	2500HD (3/4-ton)	2WD/4x4	Work Truck, LT, LTZ	Vortec 6.0L V8	360 @ 5400 ²⁷	380 @ 4200	Hydra-Matic 6-speed automatic overdrive	Duramax 6.6L Turbo-Diesel V8	397 @ 3000 ²⁸	765 @ 1600 ²⁸
	3500HD (1-ton)	2WD/4x4	Work Truck, LT, LTZ	Vortec 6.0L V8	322 @ 5400	380 @ 4200	Hydra-Matic 6-speed automatic overdrive	Duramax 6.6L Turbo-Diesel V8	397 @ 3000 ²⁸	765 @ 1600 ²⁸
CREW CAB LONG BOX	2500HD (3/4-ton)	2WD/4x4	Work Truck, LT, LTZ	Vortec 6.0L V8	360 @ 5400	380 @ 4200	Hydra-Matic 6-speed automatic overdrive	Duramax 6.6L Turbo-Diesel V8	397 @ 3000 ²⁸	765 @ 1600 ²⁸
	3500HD (1-ton)	2WD/4x4	Work Truck, LT, LTZ	Vortec 6.0L V8	322 @ 4400	380 @ 4200	Hydra-Matic 6-speed automatic overdrive	Duramax 6.6L Turbo-Diesel V8	397 @ 3000 ²⁸	765 @ 1600 ²⁸
CREW CAB CHASSIS CAB	3500HD (1-ton)	2WD/4x4	Work Truck, LT	Vortec 6.0L V8	322 @ 4400	380 @ 4200	Hydra-Matic 6-speed automatic overdrive	Duramax 6.6L Turbo-Diesel V8	335 @ 3100	685 @ 1600

SRW — Single rear wheel. DRW — Dual rear wheel. **1** Not available on Chassis Cab models. **2** Requires available Interior Plus Package. **3** Requires available auto-dimming inside rearview mirror or auto-dimming inside rearview mirror with rear camera display. **4** Requires available Convenience Package on 2500HD, requires power-adjustable pedals and rear-window defogger or power-sliding rear window on 3500HD. **5** Requires available Duramax 6.6L Turbo-Diesel V8 engine. **6** Included with Z71 Off-Road Package and Snow Plow Prep Package. 2WD models require available Z71 Off-Road Package. **7** Requires available Trailering Package. **8** Go to gm.com/bluetooth to find out which phones are compatible with the vehicle. **9** Requires available OnStar and AM/FM stereo with CD/MP3 player. **10** Not available with Snow Plow Prep Package. **11** Not available with power-sliding rear window. **12** Not compatible with all devices. **13** Requires available rearview camera system or camper mirrors. **14** Requires available Convenience Package on 2500HD. **15** Requires available LTZ Plus Package. **16** Requires available Convenience Package. **17** Not available with rear-window defogger. **18** Always use safety belts and the correct restraint for your child's age and size. Even in vehicles equipped with the Passenger Sensing System, children are safer when properly secured in a rear seat in the appropriate infant, child or booster seat. Never place a rear-facing infant restraint in the front seat of any vehicle equipped with a passenger air bag. See the Owner's Manual and child safety seat instructions for more safety information. **19** Requires available head-curtain air bags. **20** Visit onstar.com for coverage map, details and system limitations. Services vary by model and conditions. **21** Requires available front bucket seats. **22** Map coverage excludes Puerto Rico, the Virgin Islands and portions of Canada. **23** Requires available Interior Plus Package and front bucket seats. **24** Requires a subscription sold separately by XM after trial period. Available only in the 48 contiguous United States and District of Columbia. Visit gm.xmradio.com for details. **25** Requires available navigation radio. Requires a subscription sold separately by XM after trial period. Available only in select markets. For more information, see xmradio.com/navtraffic. **26** Use only GM-approved tire and wheel combinations. Unapproved combinations may change the vehicle's performance characteristics. For important tire and wheel information, go to gmaccessorieszone.com or see your dealer for details. **27** 322 horsepower on HD models with box delete vehicles. **28** 335 horsepower/685 lb.-ft. of torque on HD models with box delete.



DIMENSIONS

- A = 80.0"
- B = 80.0" (SRW),
95.9" (3500HD Big Dooley)
- C = 77.4" to 78.3" (depending on model
and tire size selected)
- D = 153.7" Standard Box,
167.7" Long Box
- E = 239.9" Standard Box,
258.7" Long Box
- F = 41.6" Standard Box (2500HD),
55.6" Long Box,
59.4" (Chassis Cab)
- G = 50.6"
- H = 62.5"
- I = 150.9" (HD)
- J = 78.9" Standard Box,
97.8" Long Box



THE BEST COVERAGE IN AMERICA.

100,000 MILE/5-YEAR TRANSFERABLE POWERTRAIN LIMITED WARRANTY. Every 2011 Chevy passenger car, light-duty pickup, SUV and crossover comes with the best coverage in America: a 100,000 mile/5-year (whichever comes first) transferable Powertrain Limited Warranty, plus the 24/7 Roadside Assistance Program, the Courtesy Transportation Program and much more. See dealer for details.

NEW VEHICLE LIMITED WARRANTY. GM vehicles registered in the U.S.A. are covered for 3 years/36,000 miles (whichever comes first). The complete vehicle is covered, including tires, towing to your nearest Chevrolet dealership and cosmetic corrosion resulting from defects. Repairs will be made to correct any vehicle defect, and most warranty repairs will be made at no charge. In addition, rust-through corrosion will be covered for 6 years/100,000 miles (whichever comes first). See dealer for details.

ENGINES. Chevrolet products are equipped with engines produced by GM Powertrain or other suppliers to GM worldwide. The engines in Chevrolet products may also be used in other GM makes and models.

ASSEMBLY. Chevrolet vehicles and their components are assembled or produced by different operating units of General Motors, its subsidiaries or suppliers to GM worldwide. We sometimes find it necessary to produce Chevrolet vehicles with different or differently sourced components than originally scheduled. Since some options may be unavailable when your vehicle is assembled, we suggest you verify that your vehicle includes the equipment you ordered and that, if there were changes, they are acceptable to you.

ONSTAR. OnStar services require vehicle electrical system (including battery), wireless service and GPS satellite signals to be available and operating for features to function properly. OnStar acts as a link to existing emergency service providers. Subscription Service Agreement required. Call 1-888-4ONSTAR (1-888-466-7827) or visit onstar.com for OnStar Terms and Conditions, Privacy Statement, and details and system limitations.

A NOTE ABOUT CHILD SAFETY. Always use safety belts and the correct restraint for your child's age and size. Even in vehicles equipped with the Passenger Sensing System, children are safer when properly secured in a rear seat in the appropriate infant, child or booster seat. Never place a rear-facing infant restraint in the front seat of any vehicle equipped with a passenger air bag. See the Owner's Manual and child safety seat instructions for more safety information.

IMPORTANT WORDS ABOUT THIS CATALOG. We have tried to make this catalog comprehensive and factual. We reserve the right, however, to make changes at any time, without notice, in prices, colors, materials, equipment, specifications, models and availability. Specifications, dimensions, measurements, ratings and other numbers in this catalog and other printed materials provided at the dealership or affixed to vehicles are approximates based upon design and engineering drawings, prototypes and laboratory tests. Your vehicle may differ due to variations in manufacture and equipment. Since some information may have been updated since the time of printing, please check with your Chevrolet dealer for complete details. Chevrolet reserves the right to lengthen or shorten the model year for any product for any reason or to start and end model years at different times. Certain vehicle features may lose their usefulness over time due to obsolescence from technological changes. Unless otherwise noted, all claims based on GM Large Pickup segment and latest available competitive information. Excludes other GM vehicles.

AN IMPORTANT NOTE ABOUT ALTERATIONS AND WARRANTIES. Installations or alterations to the original GM-equipped vehicle (or chassis) are not covered by the General Motors New Vehicle Limited Warranty. The special body company, assembler, equipment installer or upfitter is solely responsible for warranties on the body or equipment and any alterations (or any effect of the alterations) to any of the parts, components, systems or assemblies installed by GM. General Motors is not responsible for the safety or quality of design features, materials or workmanship of any alterations by such suppliers.

TRAILERING AND OFF-ROAD DRIVING INFORMATION. Please go to chevy.com and carefully review an Owner's Manual for important safety information about trailering or off-road driving in your vehicle.

FLEET ORDERS. Some standard content may be deleted with fleet orders. See dealer for details.

At Chevrolet, giving you a completely satisfying ownership experience is our top priority. That's why if you ever need assistance, feel free to contact us at these websites or phone numbers.

CHEVY.COM. Offers shopping tools such as Build and Price, Find a Vehicle, Request Info, Email Sign-Up, Compare Vehicles, Financial Tools...and much more.

24-HOUR ROADSIDE ASSISTANCE PROGRAM (1-800-CHEV-USA). The Chevrolet Roadside Assistance Program provides you with the following services for 100,000 miles or 5 years (whichever comes first): Emergency Towing (to closest Chevy dealer from a legal roadway), Lockout Service (keys locked inside vehicle), Flat Tire Changes (spare installed), Fuel Delivery (\$5 worth of fuel delivered on the road) and Jump Starts (at home or on the road). For specific terms and conditions, please contact your Chevrolet Roadside Assistance advisor at 1-800-243-8872. Some services may incur costs.

COURTESY TRANSPORTATION PROGRAM. Ask your Chevrolet dealer for Courtesy Transportation if you leave your vehicle for extended repairs under the New Vehicle Limited Warranty or Powertrain Limited Warranty. Ask if you qualify for expense reimbursement and/or vehicle rental. Services vary by dealer.

CHEVROLET CUSTOMER ASSISTANCE CENTER (1-800-222-1020). Talk directly to customer relationship managers who can handle any inquiries related to vehicle operation, warranty coverages, or product or service concerns you may have. Please refer to your Owner's Manual for Customer Assistance information.

CHEVY.COM/SAFETY. Chevrolet is committed to keeping you and your family safe — from the start of your journey to your destination. That's why every Chevrolet is designed with a comprehensive list of safety and security features to help give you peace of mind.

GMMOBILITY.COM (1-800-323-9935). GM Mobility offers financial assistance for eligible adaptive equipment to make automotive travel easier for persons with disabilities or special transportation needs. To learn more about special GM Mobility offers, visit gmmobility.com.

CHEVROLET OWNER CENTER (GMOWNERCENTER.COM/CHEVY). Register your vehicle with the Chevrolet Owner Center, and receive benefits such as online access to your vehicle Owner's Manual, maintenance schedule reminders, service history tracking, warranty and service information, safety information, special offers and privileges, and news and events.

MARKETING AND INCENTIVES (CHEVY.COM/SPECIALOFFERS). Call 1-800-950-CHEV (1-800-950-2438) or visit chevy.com/specialoffers for new product, current incentive and marketing program information.

GMCARDMEMBERSERVICES.COM. Did you know about the family of reward credit cards that can help you get a great deal on a new GM car, light-duty truck, SUV or crossover? With a GM reward card, you accrue earnings on every credit card purchase to use toward the purchase or lease of an eligible, new GM vehicle. With three cards to choose from, you're sure to find one that suits you best.

GM, the GM Logo, Chevrolet, the Chevrolet Logo, and the slogans, emblems, vehicle model names, vehicle body designs and other marks appearing in this document are the trademarks and/or service marks of General Motors, its subsidiaries, affiliates or licensors. ©2010 OnStar. All rights reserved. SIRIUS, XM and all related marks and logos are trademarks of SIRIUS XM Radio Inc. and its subsidiaries. The Bluetooth word mark is a registered trademark owned by Bluetooth SIG, Inc. and any use of such mark by Chevrolet is under license. iPod is a mobile digital device. iPod is a registered trademark of Apple, Inc. All rights reserved. Bose is a registered trademark of the Bose Corp. Allison is a registered trademark of Allison Transmission, Inc. ©2010 General Motors. All rights reserved.

June 2010




**100,000 MILE 5-YEAR
 POWERTRAIN WARRANTY**
 chevy.com/warranty


ACCESSORIES
 chevy.com/accessories


 onstar.com


 gm.xmradio.com