

2006 **ENVOY**



GMC

2006 **ENVOY**

WHERE CAPABILITY MEETS COMFORT. |

GMC
BUILDING LEGENDS

AT GMC, WE'VE BEEN ENGINEERING AND BUILDING SPORT-UTILITY VEHICLES since the mid-1930s. In that time we've repeatedly advanced the state of the SUV art, and with today's Envoy and Envoy XL, we're doing it again. As you would probably expect from vehicles of this sort, Envoy and Envoy XL are capable of handling tough challenges and the most difficult driving conditions with ease. Yet at the same time, these rugged mid-size SUVs offer interior accommodations of amazing comfort and refinement. The result is a combination of strength and sophistication like nothing else in the mid-size SUV class. Envoy and Envoy XL. Legendary capability and comfort.



Envoy XL SLT, shown in Red Jewel Tintcoat with available equipment. Envoy Denali, shown in Steel Gray Metallic.



For more information about Envoy
visit our Web site at envoy.gmcanada.com

ENVOY





A LONG STEP AHEAD.

ENVOY LEADS THE WAY FOR THE CLASS with its refined yet muscular style and genuine GMC truck technology, including a smooth, sophisticated, award winning Vortec engine that generates 291 horsepower – the most standard power of any mid-size SUV in its class.* Thanks to such premium features as StabiliTrak, four-wheel disc brakes with ABS and a choice of two-wheel drive or Autotrac 4x4 drivetrains, it's an outstanding performer in every season and driving condition. Envoy sets the standard for comfort, too, with a spacious five-passenger interior equipped with a wide variety of luxurious amenities. It all adds up to a vehicle that's a long step ahead of the competition.

*Based on 2005 Model Year data for GM Medium Utility segment and latest published competitive information available at time of printing. Excludes other GM vehicles.

ENVOY XL





EXCELLENCE IN EXTRA-LARGE.

ENVOY XL STARTS WITH ALL THE MANY VIRTUES OF ENVOY, then adds more. Longer overall than Envoy with a wheelbase that's stretched by a substantial 407 mm (16 in.), Envoy XL offers room and comfort for up to seven occupants on three rows of standard seating. Should the need arise to carry more gear than people, the interior can be easily reconfigured to accommodate up to 3042 L (107.4 cu. ft.) of cargo. Envoy XL is just as impressive when it comes to trailer towing, with a maximum trailer rating of up to 2722 kg (6000 lb.).

ENVOY INTERIOR



Envoy XL SLT interior, shown in Medium Gray.



PREMIUM STYLE, EXTRAORDINARY COMFORT.

EASE INTO THE ENVOY PASSENGER COMPARTMENT

and you can't fail to be impressed by its distinctive, contemporary good looks. Yet this is an interior designed to be as easy to live with as it is to look at. It offers excellent head, leg and hip room for as many as five occupants – seven in Envoy XL. The ride is quiet and comfortable and the cabin is loaded with amenities, including power windows and door locks and a dual-zone climate control system. Step up to an SLT model and the equipment list expands to include leather-appointed seating, an automatic dual-zone climate control system and more. SLT models also offer a higher level of entertainment features, notably a premium sound system with CD and cassette tape players, six speakers and a separate rear audio system exclusively for the listening pleasure of your second- and, in Envoy XL, third-row passengers. It all adds up to an extraordinarily comfortable, enjoyable ride.

ENVOY'S SECOND-ROW PASSENGERS enjoy easy entry and exit through wide-opening rear doors. Once inside there's abundant head and legroom and the 65/35 divided flip-and-fold rear seat provides excellent comfort and cargo-carrying versatility.



ENVOY CONTROLS



Envoy XL SLT instrument panel, shown with available equipment.



CONFIDENT CONTROL IS WHAT IT'S ALL ABOUT.

FOR THE ENVOY DESIGN TEAM, nothing was more important than ensuring your complete control over your vehicle. That's why every Envoy keeps you fully informed via high-contrast analogue gauges and a multi-function Driver Information Centre. It's also the reason behind Envoy's adjustable controls, including a standard tilt adjustable steering column and, on SLT and Denali models, power adjustable pedals. Envoy can help keep you in control when you're on unfamiliar ground, too, with an available DVD navigation system that can guide you, turn by turn, to your destination.*

*At time of print, detailed map coverage is available for most major urban areas of the United States and for certain metropolitan areas of Canada (Vancouver, Calgary, Edmonton, Winnipeg, Windsor, London, Toronto, Ottawa, Montreal, Quebec City and Halifax). Coverage is significantly limited outside these areas. Choose the factory navigation option and you will receive an updated navigation DVD each of the first two years following your purchase.



POWER ADJUSTABLE PEDALS move back and forth at the touch of a button to help every driver find precisely the right driving position. They're standard on SLT and Denali models and available on SLE models.



WITH ITS 178 MM (7 IN.) FLIP-DOWN SCREEN, 2 wireless headphones and auxiliary audio output jacks, the available rear DVD entertainment system is an excellent way to keep the family smiling on long journeys.

ENVOY DENALI

SINGULAR IN SO MANY WAYS.

LUXURY IS WHAT ENVOY DENALI IS ALL ABOUT.

Visually, it stands apart from the crowd thanks to its Denali signature grille, 18-inch polished aluminum wheels and a host of other unique styling features. Rain-sensing windshield wipers and headlight washers are standard for your convenience, and the ride is extraordinarily smooth and comfortable thanks to an electronically controlled rear air suspension that provides excellent isolation from surface irregularities. Envoy Denali is also a front-runner as a performer, with its standard 300 horsepower Vortec 5300 V8 with fuel-saving Displacement on Demand technology.

Envoy Denali, shown in Liquid Silver Metallic.



ENVOY XL DENALI



THE BEST MEETS THE MOST.

THE ULTIMATE ENVOY, Envoy XL Denali combines the finest in luxury appointments and engineering with a long, 3277 mm (129 in.) wheelbase and a spacious seven-passenger cabin. The result is a vehicle with the style and riding comfort to rival many fine luxury sedans. Yet should you have a heavy load to carry or a trailer to tow, Envoy XL Denali and its standard Vortec 5300 V8 with Displacement on Demand can easily handle the challenge. The bottom line: Envoy XL Denali blends luxury and capability like no other mid-size SUV.



Envoy XL Denali, shown in Onyx Black.

ENVOY DENALI INTERIOR



Envoy XL Denali interior, shown in Ebony.



PRESENTING THE MOST LUXURIOUS MID-SIZE SUV IN GMC HISTORY.

INSIDE AN ENVOY DENALI OR ENVOY XL DENALI, the ride is hushed and the amenities are plentiful. The front bucket seats are heated and equipped with eight-way power adjusters to help you find precisely the right seating position. Once you do, Envoy's thoughtful electronics allow you to store your preferred driver's seat setting in memory and recall it at the touch of a button. Premium leather seating surfaces,* luminous satin nickel accents and a host of other distinctive features all make their own unique contributions to Denali's atmosphere of exceptional warmth and luxury.

*Third-row seat in Envoy XL Denali is vinyl covered.

AVAILABLE ON ENVOY DENALI MODELS is a DVD navigation system that can guide you, turn by turn, to destinations across North America.**

**At time of print, detailed map coverage is available for most major urban areas of the United States and for certain metropolitan areas of Canada (Vancouver, Calgary, Edmonton, Winnipeg, Windsor, London, Toronto, Ottawa, Montreal, Quebec City and Halifax). Coverage is significantly limited outside these areas. Choose the factory navigation option and you will receive an updated navigation DVD each of the first two years following your purchase.



ENVOY VERSATILITY

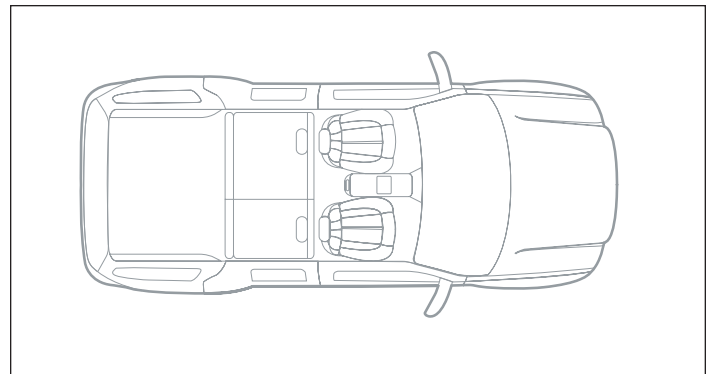
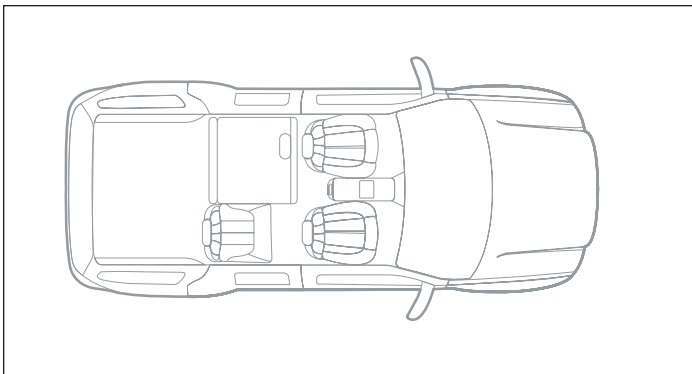


Envoy XL SLT interior, shown in Medium Gray with third-row seats folded and second-row seats split-folded.

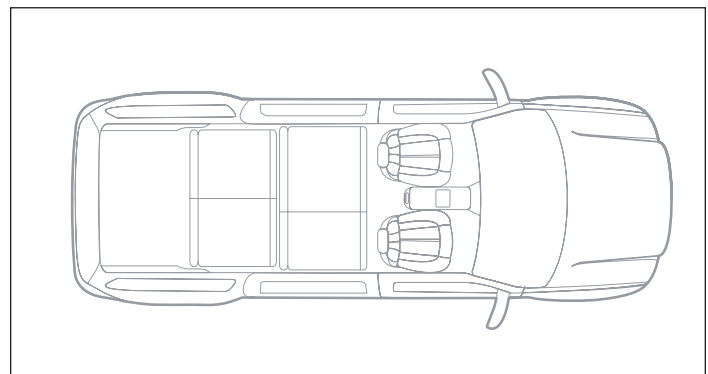
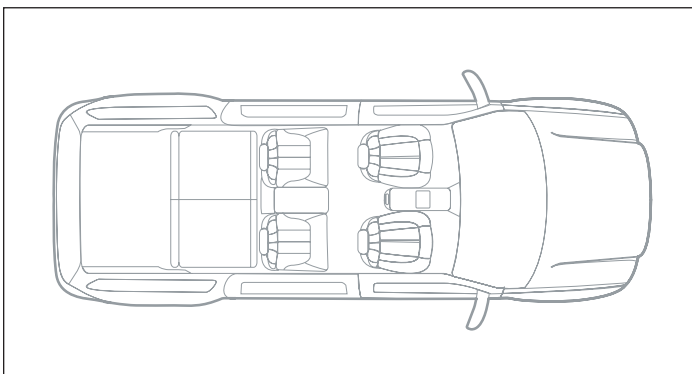
DO IT ALL. COMPROMISE NOTHING.

ENVOY AND ENVOY XL don't simply offer an abundance of interior room. They're also designed for a high level of flexibility, so they can rise to virtually any situation. Should you need to carry cargo and passengers at the same time, the second-row seat is a divided 65/35 design in which each portion of the seat can be flipped and folded flat separately. Envoy XL's divided 50/50 third-row seat folds too, and with all rear seats stowed, Envoy XL's cargo hold measures a generous 3042 L (107.4 cu. ft.). Envoy and Envoy XL also have you covered if your load is too bulky to fit inside, with roof side rails (and cross bars on SLT and Denali models) designed to accept a wide variety of accessory racks and cargo boxes.

ENVOY ADAPTS EASILY AND QUICKLY to varying passenger and cargo loads, thanks to its standard flip-and-fold 65/35 divided rear bench seat.



ENVOY XL'S STANDARD THIRD-ROW SEAT is a 50/50 divided bench capable of accommodating two passengers. It folds flat when extra cargo space is needed.



ENVOY POWER



Envoy Denali, shown in Liquid Silver Metallic with available equipment.

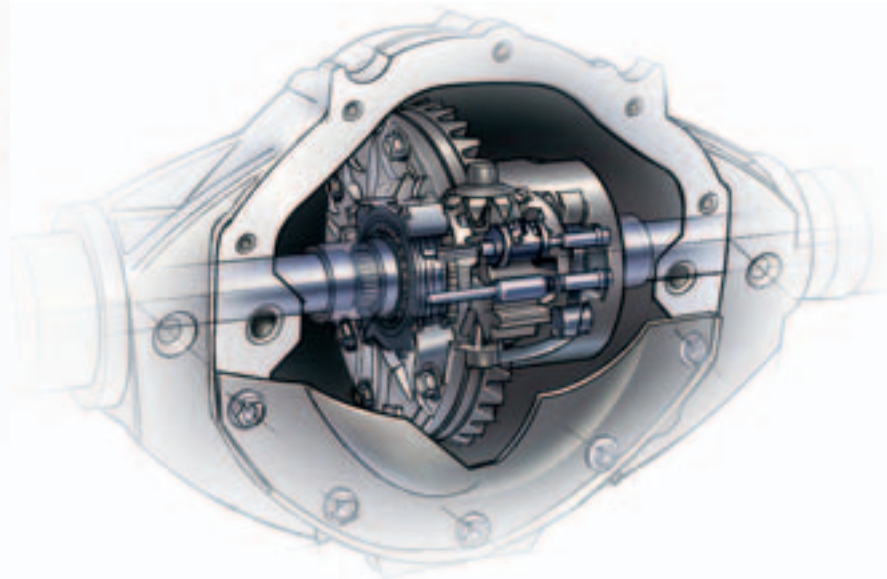
VORTEC POWER AND PERFORMANCE.

AT GMC, WE KNOW THAT SERIOUS CAPABILITY IS A MUST-HAVE in a mid-size SUV. We also know it starts with a great engine. In Envoy, we offer a choice of two. The standard powerplant in Envoy and Envoy XL is an advanced Vortec 4200 in-line six-cylinder engine that has been upgraded for 2006 to produce 291 horsepower and 277 pounds-feet of torque. Envoy Denali and Envoy XL Denali are powered by a muscular Vortec 5300 V8 equipped with fuel-saving Displacement on Demand (DOD) technology. Both engines feature long-life components to help reduce maintenance requirements, and both are paired with a proven, electronically controlled four-speed automatic transmission known for its smooth gear changes.

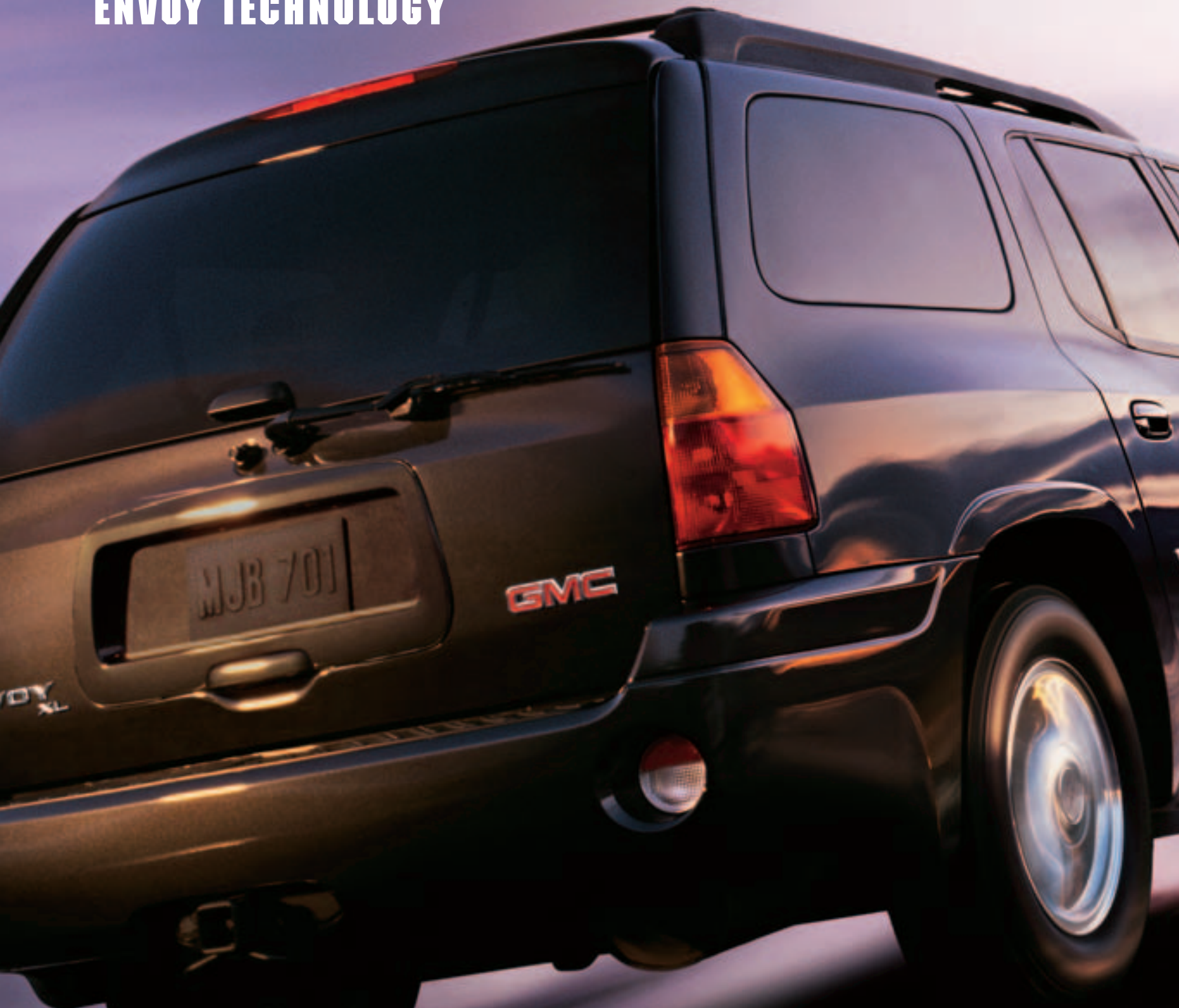


DISPLACEMENT ON DEMAND is incorporated in the Vortec 5300 V8, a GM technology that saves fuel by electronically deactivating four of the engine's cylinders during low-demand operating conditions. Cylinder activation and deactivation is so seamless, it's almost imperceptible to the driver.

A LOCKING REAR DIFFERENTIAL is standard equipment on every Envoy model. Should one rear wheel lose its grip and begin to spin, the differential will continue to send power to the other rear wheel to help keep you from getting stuck.



ENVOY TECHNOLOGY

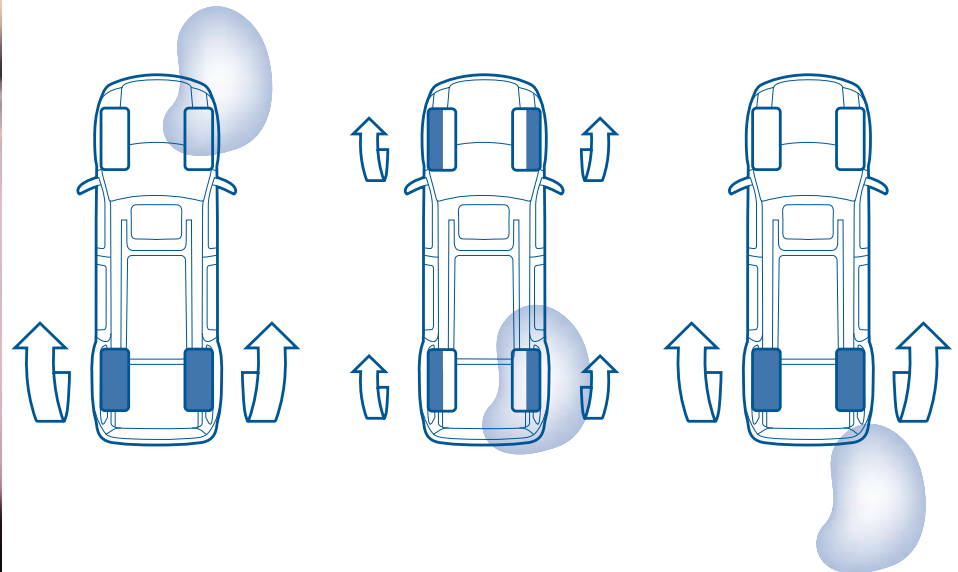


Envoy XL SLT, shown in Carbon Metallic with available equipment.

THE SECRET BEHIND ENVOY'S SUCCESS.

GMC'S ADVANCED TRUCK TECHNOLOGY enhances every aspect of the Envoy driving experience. Case in point: the full-length frame side rails, which are pressed into shape by water under extremely high pressure. The benefits include outstanding strength, lighter weight for greater overall efficiency and exceptional precision. Other high-tech features include the standard StabiliTrak vehicle stability enhancement system, Autotrac electronically controlled four-wheel drive and, of course, OnStar, which for 2006 is standard on every Envoy model. They all make Envoy a showcase of GMC's engineering excellence – and, not coincidentally, an extraordinary vehicle to drive.

THE AUTOTRAC TRANSFER CASE features an AUTO 4x4 mode in addition to the traditional 2HI, 4HI, Neutral and 4LO functions. In AUTO 4x4, the system actively monitors the available traction and automatically redistributes torque to the wheels with grip. Autotrac is standard on every 4-wheel drive Envoy, Envoy Denali, Envoy XL and Envoy XL Denali.



ENVOY SAFETY & SECURITY



ONSTAR AND ONE YEAR OF THE SAFE & SOUND PLAN are standard on every 2006 Envoy model. Accessing OnStar's services is as easy as pressing the blue OnStar button located on the interior rear-view mirror.



ENVOY STANDS ON GUARD FOR YOU.

INSIDE ENVOY YOU ENJOY a tall seating position, well-placed, logical controls and excellent visibility in every direction, all of which help you avoid collisions whenever possible. Should a crash prove unavoidable, Envoy's many occupant protection features come into play, absorbing dangerous energy and helping to prevent intrusions into the passenger compartment. The list includes front and rear crush zones, a solid steel safety cage, steel side-guard door beams, up to four air bags and much more. Envoy is even equipped to look after itself, with a PASSLock theft-deterrent system and, on SLT and Denali models, a standard content theft alarm. You will also be comforted to know the 2005 Model Year Envoy has earned the coveted five-star side-impact safety ratings for both front and rear occupants from the National Highway Safety Administration.*

*Front and rear occupant side-impact safety ratings for 2005 four-door model. U.S. government ratings are part of the National Highway Traffic Safety Administration's (NHTSA) New Car Assessment Program (NCAP). 2006 Model Year not tested yet.

ENVOY SLT AND DENALI MODELS feature heated, power adjustable exterior rear-view mirrors with turn signal indicators that provide an extra warning to nearby drivers of your intention to turn or change lanes.



GMC Envoy is designed and engineered to be the mid-size sport-utility market leader in capability and technology. So it should come as no surprise that Envoy also offers the unparalleled combination of safety, security, and convenience of OnStar.* OnStar uses advanced communications technology to enhance your peace of mind whenever you're in your Envoy. All it takes is a single push of the blue OnStar button usually located on the interior rear-view mirror, in the overhead console, or near the radio display – the button connects you with one of our specially trained OnStar Advisors. They are standing by, ready to provide support 24 hours a day, 365 days a year.

What can OnStar Advisors do for you? They can provide a wealth of information and perform a variety of services, including a remote diagnostic check of your vehicle's engine and electrical components. In an emergency, an Advisor will attempt to locate your vehicle, find out what assistance you need, and notify nearby emergency service providers. And if air bags are deployed in your vehicle, an Advisor will contact you to determine if you are in need of assistance.

Another convenient feature is OnStar Hands-Free Calling, a hands-free, voice-activated wireless technology integrated into your vehicle. It's there in case your hand-held phone is lost, forgotten or has a low battery. Even better, there are no additional monthly fees, or additional long distance and roaming charges. And as a new customer, you will receive 30 complimentary minutes good for two months after activation.

Now you can enjoy the peace of mind that comes with knowing you're doing all you can to help keep you, your family, and your vehicle safe. Just ask the almost 150,000 people who have become OnStar subscribers in Canada. How hard does OnStar work for you? The facts speak for themselves: every month in Canada OnStar Advisors handle an average of 9100 routing calls, 2500 emergency calls, 2600 door unlocks, and 625 Roadside Assistance dispatches.

OnStar offers two different service plans, allowing you to select the services that are most convenient for you. The Safe & Sound Plan is included for the first year on all Envoy models. The available Directions & Connections Plan offers all of the safety and security services included in the Safe & Sound Plan, plus you'll have access to driving directions and information and convenience services and RideAssist. See your dealer for more information on plans and services.

*OnStar services require vehicle electrical system (including battery), wireless service, and GPS satellite signals to be available and operating for features to function properly. Not all OnStar features are available on all vehicles. OnStar Hands-Free Calling requires a Hands-Free Calling enabled vehicle, existing OnStar service contract, and prepaid calling minutes, and is not available in Alaska and some other markets. Calls may be made to the U.S. and Canada only. OnStar voice recognition system may not work with some voices. OnStar acts as a link to existing emergency service providers. Subscription Service Agreement required. Due to the transition of the wireless industry from analogue to digital technology, as of January 1, 2008, OnStar plans to offer service only through equipment that operates on the digital network, which may require the purchase of a system upgrade for eligible vehicles. Call 1.888.4.ONSTAR (1.888.466.7827), TTY 1.877.248.2080 or visit onstar.ca for OnStar's Terms & Conditions, Privacy Policy, and system limitations and details.

ENVOY ACCESSORIES



TAKE YOUR ENVOY TO A WHOLE NEW LEVEL.

HOW DO YOU MAKE A GREAT TRUCK EVEN GREATER? By upgrading its appearance and function with a few carefully selected GM Accessories. GM Accessories are the only accessories that are integrated into the process of designing your vehicle, ensuring excellent fit, finish and functionality. And only GM Accessories are backed by GM's 3-year/60,000 km New Vehicle Limited Warranty.* They can also be included in your new-vehicle lease or finance agreement through GMAC. Ask your dealer for a complete list of the GM Accessories available for Envoy. Or visit gmcanada.com

*Whichever comes first, when permanently installed by the dealer at the time you purchase or lease your new vehicle.

GM Accessories for Envoy include:

- **Hood protector**
- **Moulded splash guards**
- **Roof/hitch mounted carrier systems**
- **Camping Package**
- **Lockable storage container**
- **Cargo management system**
- **Rear air deflector**
- **Cargo area security shade.**



ENVOY STANDARD & OPTIONAL FEATURES

SAFETY AND SECURITY	SLE	SLT	DENALI
Air bags – dual-stage, driver and front-passenger, frontal. Includes Passenger Sensing System with automatic air bag suppression	S	S	S
Air bags – front and 2nd-row, side head curtain	0	0	0
Brake/transmission shift interlock	S	S	S
Door locks – automatic power, programmable with lock-out protection and last door locking features	S	S	S
Door locks – rear doors, child-security	S	S	S
Headlights – high-output halogen with automatic light control	S	S	S
Illuminated entry/exit system	S	S	S
Keyless entry system – remote, includes perimeter lighting, Panic and personalization features	S	S	S
OnStar In-Vehicle Communications and Assistance Service – includes one-year Safe & Sound Plan	S	S	S
Safety restraints – LATCH (Lower Anchors and top Tethers for Children)	S	S	S
StabiliTrak – vehicle stability enhancement system, including traction assist	S	S	S
Theft-deterrent system – content theft alarm, audible/visible	–	S	S
Theft-deterrent system – PASSLock	S	S	S
Traction assist – Enhanced Traction System (ETS)	S	S	S
MECHANICAL			
Brakes – power, 4-wheel vented disc with 4-wheel anti-lock braking system (ABS)	S	S	S
Engine – Vortec 4200 in-line 6-cylinder Horsepower – 291 @ 6000 rpm; Torque – 277 lb.-ft. @ 4800 rpm	S	S	–
Engine – Vortec 5300 V8 with DOD technology Horsepower – 300 @ 5200 rpm; Torque – 330 lb.-ft. @ 4000 rpm	–	–	S
Engine block heater	S	S	S
Exhaust system – aluminized stainless steel	S	S	S
Locking differential – rear	S	S	S
Steering – power, rack-and-pinion	S	S	S
Suspension – Luxury Ride, includes urethane jounce bumpers, front and rear stabilizer bars and Bilstein shock absorbers	S	S	S
Suspension – automatic rear-level control suspension, and cargo area air inflator kit	0	0	S
Transfer case – Autotrac automatic 4-wheel drive with electronic controls and Auto 4x4 in addition to 2H, 4H, 4LO and Neutral settings (4x4 models)	S	S	S
Transmission – 4-speed automatic with overdrive	S	S	S
Trailer Special Equipment Package – includes integrated weight-distributing platform with trailer hitch receiver and 7-lead sealed connector	S	S	S
EXTERIOR			
Assist steps – aluminum or black	0	0	–
Cornering lights	S	S	S
Fog lights – halogen	S	S	S
Glass – Solar-Ray tinted, all windows behind front doors deep-tinted	S	S	S
Grille – body-coloured with bright trim	S	S	–
Grille – bright, honeycomb	–	–	S
Grille guard	0	0	–
Liftgate – power release with integral liftglass	S	S	S
Mirrors – power remote control, heated	S	–	–
Mirrors – power remote control, heated, integrated side turn signal, memory feature and passenger-side curb view assist (black on SLT and body-coloured on Denali)	–	S	S
Mouldings – bodyside, chrome	S	S	–
Mouldings – bodyside, body-coloured	–	–	S
Roof rack – side rails	S	S	S
Roof rack – cross bars	0	S	S
Running boards – side step, black	0	0	–
Running boards – side step, body-coloured, Denali specific	–	–	S
Shield Package – transfer case, front differential, fuel tank and steering linkage skid plates (4x4 models)	0	0	–
Spare tire/carrier – underbody, full-size steel	S	S	S
Sunroof – power, sliding glass panel with express-open	0	0	0
Tires – P245/65R17 all-season, blackwall	S	S	–
Tires – P245/60R18 all-season, blackwall	–	–	S
Trailer hitch receiver cover	0	0	–

EXTERIOR (continued)	SLE	SLT	DENALI
Wheels – 17" x 7" Deluxe aluminum (A) ¹	S	–	–
Wheels – 17" x 7" High polished aluminum (B) ¹	–	S	–
Wheels – 17" x 7" Polished aluminum (C) ¹	0	0	–
Wheels – 18" x 8" 6-Spoke high polished aluminum (D) ¹	–	–	S
Windshield wipers – 2-speed with variable delay (intermittent)	S	S	–
Windshield wipers – Rainsense with automatic variable delay	–	0	S
Wiper/washer – rear-window with variable delay	S	S	S

¹Wheels shown on page 31.

INTERIOR

Air conditioning – manual, dual-zone (includes independent rear fan and mode controls)	S	–	–
Air conditioning – automatic, dual-zone climate control with exterior temperature display (includes independent rear fan and mode controls)	–	S	S
Cargo convenience net – (Envoy and Envoy Denali only)	–	S	S
Cargo area – 5 tie-downs (Envoy and Envoy Denali only)	S	S	S
Cargo mat – rear area (Envoy and Envoy Denali only)	–	S	S
Cargo organizer – (Envoy and Envoy Denali only)	0	0	0
Cargo shade – Envoy and Envoy Denali only	0	S	S
Cargo shelf – extends to provide flat load floor and/or rear cargo cover, reversible, stowable (Envoy XL and Envoy XL Denali only)	0	0	0
Console – front floor with transmission shifter, cassette/CD storage and front and rear cupholders	S	S	S
Console – custom overhead with universal home remote transmitter	0	S	S
Cruise control – electronic with resume, coast and decelerate/accelerate features	S	S	S
Defogger – electric rear-window	S	S	S
Floor mats – front and rear, carpeted	S	S	S
Instrumentation – full analogue cluster (includes speedometer, tachometer, voltmeter, coolant temperature, oil pressure, odometer, trip odometer and fuel gauge)	S	S	S
Instrumentation – Driver Information Centre includes multi-language and trip functions, GM Oil Life System, displays vital vehicle functions with both visual and audible reminders/warnings	–	S	S
Lights – theatre dimming with dome and cargo area lights, door and tailgate activated switches, illuminated entry/exit system	S	S	S
Lights – integrated reading lights for front row in overhead console	–	S	S
Luxury Convenience Package – includes Rainsense windshield wipers and headlight washers	–	0	S
Mirror – rear-view, with OnStar controls	S	–	–
Mirror – rear-view, with OnStar controls, compass and auto-dimming feature	–	S	S
Pedals – power adjustable brake and accelerator	0	S	S
Power outlets – four auxiliary 12-volt, including lighter	S	S	S
Retained accessory power	S	S	S
Smoker's package – includes ashtray and lighter	S	S	S
Steering column – tilt adjustable	S	S	S
Steering wheel – leather-wrapped with sound system controls	0	S	–
Steering wheel – leather-wrapped with wood trim	–	–	S
Steering wheel – with sound system, Driver Information Centre and climate controls	–	–	S
Storage – concealed, underfloor and sidewall compartments in rear cargo area	S	S	S
Sunshades – LH and RH padded	S	–	–
Sunshades – LH and RH padded; illuminated visor mirrors	0	S	S
Windows – power, driver's express-down and passenger lock-out feature	S	S	S
Windows – power, rear vent windows (Envoy XL and Envoy XL Denali only)	0	S	S

SEATS	SLE	SLT	DENALI
Front bucket seats with Premium cloth, 2-way manual seat adjusters, recliners and driver's side manual lumbar support	S	-	-
Front bucket seats with Premium leather-appointed seating, heated with separate controls for seatback and seat cushion, driver and front-passenger 8-way power seat adjusters (including power recliners and lumbar supports) and driver's side 2-position memory	-	S ¹	-
As above, with Premium leather seating surfaces	-	-	S ¹
Driver 8-way power seat adjuster	O	S	S
Front-passenger 8-way power seat adjuster	O	S	S
Head restraints – adjustable on outboard positions	S	S	S
2nd-row 65/35 split-back flip-and-fold bench seat	S	S	S
3rd-row 50/50 split-back slide-and-fold bench seat, provides level load floor when folded flat – Envoy XL and Envoy XL Denali	S	S	S

¹The 3rd-row is vinyl covered on Envoy XL SLT and Envoy XL Denali.

ENTERTAINMENT SYSTEMS

All Envoy sound systems include an electronically tuned AM/FM stereo with seek/scan, auto tone control, TheftLock, Radio Data System (RDS), speed-compensated volume, digital clock and 6 speakers			
AM/FM stereo with CD player	S	-	-
AM/FM stereo with cassette tape and CD players	O	S	S
AM/FM stereo with CD player and MP3 playback	O	O	O
AM/FM stereo with 6-disc in-dash CD changer	O	O	O
6-speaker Bose Premium sound system with Digital Signal Processor (DSP) amplifier	O	O	S
Rear-seat audio controls – includes earphone jacks	-	S	S
DVD Entertainment System – includes overhead fold-down 178 mm (7 in.) LCD colour monitor, DVD player, video camera and video game inputs (RCA) jacks, 2 wireless headphones and remote control	O	O	O
Integrated DVD Navigation System – includes AM/FM stereo with CD player, 6-speaker Bose Premium sound system, full-feature autonomous navigation with touch screen and points-of-interest ²	-	O	O
Sun and Sound Package – includes sunroof, AM/FM stereo with 6-disc in-dash CD changer and Bose premium sound system	O	O	O

²At time of print, detailed map coverage is available for most major urban areas of the United States and for certain metropolitan areas of Canada (Vancouver, Calgary, Edmonton, Winnipeg, Windsor, London, Toronto, Ottawa, Montreal, Quebec City and Halifax). Coverage is significantly limited outside these areas. Choose the factory navigation option and you will receive an updated navigation DVD each of the first two years following your purchase.

S – Standard O – Optional individually or in combination with other optional equipment. Note: The trim features indicated reflect only a portion of the total content of each trim level. See your Sales Consultant for complete listings, current availability and compatibility.

PREFERRED EQUIPMENT GROUP FOR SLE – ISB

Cargo convenience net (Envoy only)
Cargo mat – rear area (Envoy only)
Cargo shade (Envoy only)
Console – custom overhead with universal home remote transmitter (standard Envoy XL)
Mirror – interior, rear-view with compass and exterior temperature displays
Seat – driver 8-way power adjuster
Steering wheel – leather-wrapped
Sunshades – LH and RH padded; illuminated visor mirrors
Windows – power, rear vent windows with switches in overhead console (Envoy XL only)

A word about this brochure

Some of the equipment shown or described throughout this brochure may be available at extra cost. We have tried to make this brochure comprehensive and factual. We reserve the right, however, to make changes at any time, without notice, in prices, colours, materials, equipment, specifications, models and availability. Specifications, dimensions, measurements, ratings and other numbers in this brochure and other printed materials provided at the dealership or affixed to vehicles are approximates based upon design and engineering drawings and prototypes and laboratory tests. Your vehicle may differ due to variations in manufacture and equipment. Since some information may have been adapted since the time of the printing, please check with your GMC dealer for complete details. General Motors of Canada Limited reserves the right to lengthen or shorten the model year for any product, for any reason, or to start and end model years at different times.

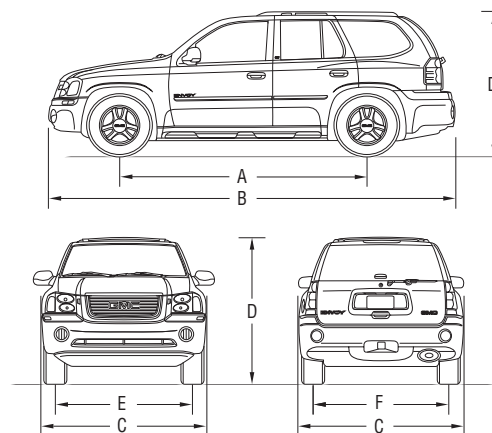
Privacy Statement

At General Motors of Canada Limited ("GM Canada") we respect your privacy and value our relationship with you. Your personal information will be protected, will never be sold, and will be used only by GM Canada, our affiliates, dealers/retailers, and service suppliers (only to provide services). If you wish to be removed from GM Canada marketing communications; would like to limit only certain marketing communications from us; would like a listing of our specific uses or further information about those with whom your information is shared; or for further information about our Privacy Policy and practices, please contact us at 1-800-GM-DRIVE (1-800-463-7483) or through our Web site at gmcanada.com

A word about assembly

GMCs are equipped with engines and components produced and assembled by different operating units of General Motors, its subsidiaries and suppliers and these engines and components may change or be obtained from different sources from time to time. All such engines and components are approved for use in GMCs. Certain equipment ordered may be unavailable at the time of assembly and we suggest that you verify that your vehicle includes the equipment you ordered, or if there are changes, that they are acceptable to you.

DIMENSIONS



EXTERIOR, mm (in.)	Envoy/Envoy Denali	Envoy XL/Envoy XL Denali
Wheelbase (A)	2870 (113.0)	3277 (129.0)
Length (B)	4867 (191.6)	5273 (207.6)
Width (C)	1897 (74.7)	1897 (74.7)
Height (D) ³	1826 (71.9)	1918 (75.5)
Front tread (E)	1603 (63.1)	1603 (63.1)
Rear tread (F)	1577 (62.1)	1577 (62.1)
Ground clearance, front (est.)	203 (8.0)	203 (8.0)

INTERIOR, mm (in.) front/2nd-row/3rd-row

Headroom	1021/1006/- (40.2/39.6/-)	1021/1006/968 (40.2/39.6/38.1)
Legroom	1052/940/- (41.4/37.0/-)	1052/940/792 (41.4/37.0/31.2)
Shoulder room	1486/1486/- (58.5/58.5/-)	1486/1486/1463 (58.5/58.5/57.6)
Hip room	1410/1476/- (55.5/58.1/-)	1410/1483/1250 (55.5/58.4/49.2)

CAPACITIES

Cargo volume, L (cu. ft.) ⁴	2268 (80.1)	3042 (107.4)
Fuel tank, L (imp. gal.)	83.0 (18.2)	95 (20.9)
Towing max. kg (lb.) ⁵ – 4200 I-6 – 5300 V8	2858 (6300) 2994 (6600) ⁶	2722 (6000) 2812 (6200) ⁶

¹Not including roof rack.

²With all rear seats folded.

³When properly equipped with required axle ratio. Trailer towing capacity is the weight of the trailer, its load or contents plus any other weight added to the tow vehicle. Optional equipment, passengers or cargo will reduce trailer towing capacity. All towing recommendations are subject to change. Trailer tongue load should be 10% of the maximum trailer weight but should not exceed the load rating specified for the vehicle, engine or hitch combination. See your dealer or refer to the Trailering with GMC Trucks brochure for details.

⁴Envoy Denali.

Trademarks

The marks appearing in this GMC Envoy brochure including, but not limited to: General Motors, GM, the GM Canada emblem, the GM Canada Web site address, the GM Accessories logo, GMC, the GMC logo, Canyon, Denali, Envoy, Savana, Sierra, Yukon, and their respective logos, emblems, slogans and vehicle model names and body designs; and other marks such as Autotrac, PASSLock, SMARTLEASE, Solar-Ray, StabiliTrak, TOTAL Warranty and Vortec are all trademarks of General Motors Corporation and/or General Motors of Canada Limited, its subsidiaries, affiliates or licensors.

GMAC is a registered trademark of the General Motors Acceptance Corporation.

OnStar, the OnStar logo and the OnStar button are registered trademarks of the OnStar Corporation.

TheftLock is a registered trademark of Delphi Automotive Systems.

Bose is a registered trademark of the Bose Corporation.

Radio Data System (RDS) is a registered trademark of the U.S. National Association of Broadcasters.

Copyright

©Copyright 2005 General Motors of Canada Limited. All Rights Reserved. All text, images, graphics, and other materials in this GMC Envoy brochure are subject to the copyright and other intellectual property rights of General Motors Corporation and/or General Motors of Canada Limited. These materials may not be reproduced, distributed or modified without the express written permission of General Motors Corporation and/or General Motors of Canada Limited.

Printed in Canada, August 2005.

COLOURS. FABRICS. WHEELS.

ENVOY EXTERIOR COLOURS



50 Summit White

67 Liquid Silver Metallic

22 Superior Blue Metallic

16 Steel Gray Metallic

EXTERIOR/INTERIOR COLOUR COMPATIBILITY

Exterior	Interior	
	28 – Medium Gray	48 – Ebony
16 – Steel Gray Metallic*	X	X
22 – Superior Blue Metallic	X	X
38 – Emerald Green Metallic	X††	X
41 – Onyx Black*	X	X
49 – Cranberry Red Metallic	X	X
50 – Summit White*	X**	X
62 – Carbon Metallic*	X	X
67 – Liquid Silver Metallic*	X	X
80 – Red Jewel Tintcoat*	X	X

*Colours available on Denali models.

**Medium Gray interior not available on Denali models.

†Premium colour – available at extra cost.

††Not available on Envoy Regular wheelbase models.

ENVOY INTERIOR FABRICS

Premium Cloth is standard on Envoy and Envoy XL SLE models.



28H – Medium Gray



48H – Ebony

Premium leather-appointed seating is standard on Envoy and Envoy XL SLT models. Premium leather seating surfaces are standard on Envoy Denali and Envoy XL Denali models.



282 – Medium Gray



482 – Ebony

COMMITMENT

We're committed to engineering and manufacturing GMC Envoy so that it is an absolute pleasure to drive. And that's just the beginning. We're also committed to making the ownership experience just as responsive to your specific needs. You'll find that our comprehensive support programs make it easier to purchase or lease a GMC. They also help to protect you and your vehicle down the road. A powerful example of the level of protection you can expect is the GM TOTAL™ Warranty. It's so thorough it covers everything from the roof right down to the tires. So when you drive off the lot of your GMC dealership, you can do so with total confidence. Peace of mind is knowing that your vehicle is built for the long haul, and is backed by a comprehensive warranty.

THE GM TOTAL™ Warranty:‡

The GM TOTAL™ Warranty is your promise of total warranty protection. It covers every new GMC Envoy for 3 years or 60,000 km*. Complete vehicle repairs are covered,** including parts and labour, with no deductible. The warranty includes:

- 3-year/60,000 km* complete vehicle repair coverage
- 6-year/160,000 km* corrosion perforation coverage
- 8-year/130,000 km* coverage on catalytic converters and powertrain control modules (PCMs).

*Whichever comes first.

**To correct any defects in material or workmanship occurring during the warranty period. Regular maintenance is not included, nor is excessive wear and tear caused by reckless or negligent driving.

OTHER OWNERSHIP PRIVILEGES AND PROGRAMS:‡

- **Roadside Assistance** – 24/7 service via toll-free number during your warranty period, anywhere in Canada or the United States
- **Courtesy Transportation** – may be offered during the warranty period
- **GM Protection Plan (GMPP)** – the only extended services contract backed by the resources and commitment of General Motors, GMPP may be purchased at the time of your sale or lease, or subsequently

- **GM Mobility Program** – you may be eligible for reimbursement of up to \$1000 (taxes included) for adaptive equipment for your GM vehicle
- **GM Accessories** – personalize your vehicle with GM Accessories, specifically engineered for your new GM vehicle
- **GM Goodwrench Service** – with GM-certified technicians and GM-approved parts, nobody knows your GM vehicle better.

TO HELP YOU PURCHASE OR LEASE A NEW VEHICLE:

- **GMAC Financing** – on the spot financing at your GM dealership††
- **GMAC SMARTLEASE** – a smart alternative to traditional financing††
- **GM Student Bonus Program** – GM will cover the first two purchase finance or lease payments and the lease security deposit on eligible new GM vehicles for students and recent graduates of high school, college or university*
- **The GM Card** – eligible cardholders may be able to redeem up to \$3500 on GM Card® Earnings toward the total purchase price or lease down payment on selected vehicles. For more information on The GM Card please call 1-800-461-3279.†

INFORMATION RESOURCES:

You can find more information about these programs from your GM dealer, or at these information centres:

- The GM Web site at gmc.canada.com
- The GM Customer Communication Marketing Centre at 1-800-GM-DRIVE (1-800-463-7483 or 1-800-263-3830 for TDD users) – for information about any GM product or service, including The GM Card and the GM Mobility Program
- For information about GMAC visit gmc.canada.com or call 1-800-616-4622.

*Conditions and limitations apply.

††Subject to eligibility.



Colours may not be exactly as illustrated due to restrictions of the printing process. Please see your Sales Consultant for specific colour and model availability and compatibility.



38 Emerald Green Metallic



49 Cranberry Red Metallic



62 Carbon Metallic



41 Onyx Black



80 Red Jewel Tintcoat

ENVOY WHEELS



A – 17" x 7"
Deluxe aluminum.
Standard on
SLE models.



B – 17" x 7"
High polished
aluminum.
Standard on
SLT models.



C – 17" x 7"
Polished aluminum.
Available on
Envoy SLT and
Envoy XL SLT.



D – 18" x 8"
Polished aluminum.
Standard on Envoy
Denali and Envoy
XL Denali.



CANYON



SIERRA



ENVOY



YUKON



SAVANA

A STORY ONLY GENERAL MOTORS CAN TELL.

General Motors' commitment to setting the highest standards in quality, safety, innovation, and fuel efficiency are matched by an equally strong commitment to the community.

DID YOU KNOW?

QUALITY: GM plants swept the J.D. Power Initial Quality Study^{SM*} rankings for North and South America: Gold and Silver Plant Quality Awards for the Canadian Oshawa #2 and #1 car plants, in addition to the Bronze Plant Quality Award for the Hamtramck, Michigan plant.

SAFETY: General Motors is the only automotive manufacturer committed to offering a full range of cars, trucks, and SUVs that provide safety protection before, during and after a collision. GM vehicles are equipped with a range of features and technologies that help drivers avoid collisions, reduce the risk of injury should a collision prove unavoidable, and help you get the assistance you need after a collision.

INNOVATION: GM is at the forefront of automotive technology with breakthrough features such as OnStar and XM Satellite Radio.

FUEL EFFICIENCY: GM offers more cars than any other automaker in Canada that get better than 7.0 L/100 km in highway driving. GM has also won more EnerGuide fuel-efficiency awards than any other car company.

GM IS COMMITTED TO CANADA.

INVESTMENT: GM invests more in Canada than any other car company: The \$2.5 billion Beacon Project represents the largest automotive investment in Canadian history.

EMPLOYMENT: GM directly employs over 20,000 people in Canada – more than any other car company.

DESIGN: GM is the only car company that designs, engineers and builds cars in Canada.

GM IS BEHIND YOU AND YOUR VEHICLE.

GM is equally comprehensive in the way it backs its GMC vehicles. All GMC models include:

- **3-year/60,000 km** complete vehicle repair coverage**
- **6-year/160,000 km** corrosion perforation coverage**
- **8-year/130,000 km** coverage on catalytic converters and powertrain control modules (PCMs)**
- **3-year/60,000 km** 24-hour Roadside Assistance.**

*General Motors Corporation – Oshawa #2 (Ontario – Car) was the highest ranked plant, Oshawa #1 (Ontario) was the second ranked plant and Hamtramck, MI was the third ranked plant in North/South America among plants producing vehicles for the U.S. market in J.D. Power and Associates 2005 U.S. Initial Quality StudySM. Study based on a total of 62,251 U.S. consumer responses indicating owner reported problems during the first 90 days of ownership. www.jdpower.com

**Whichever comes first.



Canada 

CHEVROLET PONTIAC BUICK GMC CADILLAC SATURN SAAB HUMMER

GMC BUILDING LEGENDS

gmcanada.com