

2014 Outback




Love. It's what makes a Subaru, a Subaru.

 **SUBARU**
Confidence in Motion

Explore exclusive content with your mobile device.

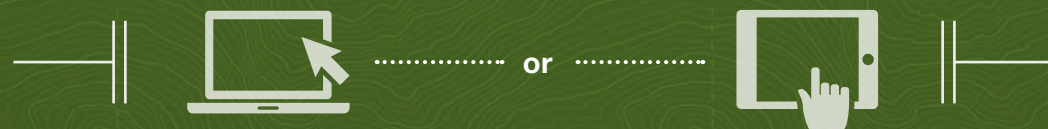


Every page you see this icon, use your Apple® or Android™ mobile device to view interactive photos and videos. Start here with this page.

- 1 **Download** the Subaru Discover app from the App Store™ or Google Play.™
- 2 **Launch** the app on your mobile device.
- 3 **See** the  on a page and hold your camera above the page until the loading screen appears.
- 4 **Enjoy** interactive photos and videos.



Look out for more details on the 2014 Outback.



Download a Dynamic Brochure
by visiting
www.subaru.com/brochures

Download an app to your tablet
by visiting
www.itunes.com/apps/subaruofamerica


Scan this page to watch a video of an Outback adventure.



Explore exclusive content with your mobile device.

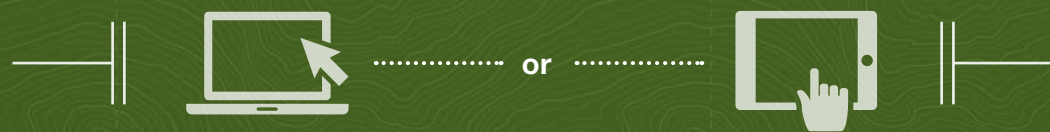


Every page you see this icon, use your Apple® or Android™ mobile device to view interactive photos and videos. Start here with this page.

- 1 **Download** the Subaru Discover app from the App Store™ or Google Play™.
- 2 **Launch** the app on your mobile device.
- 3 **See** the  on a page and hold your camera above the page until the loading screen appears.
- 4 **Enjoy** interactive photos and videos.



Look out for more details on the 2014 Outback.



Download a Dynamic Brochure
by visiting
www.subaru.com/brochures

Download an app to your tablet
by visiting
www.itunes.com/apps/subaruofamerica

Scan this page to watch a video of an Outback adventure.



Everything ventured. Everything gained.

The 2014 Subaru Outback

Not all who wander are lost. Outback has what you need to explore whenever and wherever with confidence. With Subaru Symmetrical All-Wheel Drive and a rugged suspension, you get car-like handling with SUV capabilities. And Outback is also available with an innovative driver-assist system: EyeSight®, a combination of four systems that help the driver watch for and avoid trouble ahead.¹ So grab some gear, a few fellow adventurers and go make some stories.



¹ EyeSight is a driver-assist system which may not operate optimally under all driving conditions. The driver is always responsible for safe and attentive driving. System effectiveness depends on many factors such as vehicle maintenance, weather and road conditions. See Owner's Manual for complete details on system operations and limitations. Please remember to turn off EyeSight when going through a carwash.

Outback 2.5i Premium in Twilight Blue Metallic with accessory equipment.



Efficient

The SUBARU BOXER® engine and Lineartronic® CVT combine to get up to 30 highway MPG and over 550 miles per tank¹—helping you do more with less.

Convenient

Outback offers the latest in technology. Voice-activated navigation, standard Bluetooth® connectivity, and steering-wheel-mounted controls—all help you focus on getting to your destination.

Versatile

Smartly equipped with retractable and adjustable cross bars, ample cargo room, and an array of places to store, stash, hook up and tie down, Outback is ready for all you've got.

Protective

A 2013 IIHS Top Safety Pick Plus², the Outback pushes protection even further with the available EyeSight® Driver-Assist System³, making a safe Subaru even safer.



Scan this page to see how practical the retractable cross bars are.

¹ Driving range based on 18.5-gallon fuel tank capacity and EPA estimated fuel economy for 2014 Subaru Outback 2.5i Lineartronic CVT at 30 highway MPG. Actual driving range may vary.
² Top Safety Pick Plus winners must earn good ratings for occupant protection in at least 4 of 5 evaluations, with no less than acceptable in the fifth test. Ratings based on Insurance Institute for Highway Safety's (IIHS's) 40-mile-per-hour moderate overlap frontal crash test, 40-mile-per-hour small overlap frontal crash test, 31-mile-per-hour side-impact test, 20-mile-per-hour rear-impact test, and roof-strength test. For more information, contact IIHS or visit their website at www.iihs.org.
³ EyeSight is a driver-assist system which may not operate optimally under all driving conditions. The driver is always responsible for safe and attentive driving. System effectiveness depends on many factors such as vehicle maintenance, weather and road conditions. See Owner's Manual for complete details on system operations and limitations. Please remember to turn off EyeSight when going through a carwash.





Go where stories are made.

Outback 2.5i Limited in Deep Indigo Pearl with optional Special Appearance Package.



Interior Features

There's a lot to enjoy in the 2014 Outback. Rich materials and a remarkably roomy cabin with reclining rear seats keep everyone comfy. While the available full-color, LCD multifunction display gives you access to helpful info such as fuel economy, vehicle settings and the available EyeSight® Driver-Assist System.¹

There's also an available touchscreen navigation system to help you find your way. It includes the Aha™ connected service² via the Subaru STARLINK™ system, with seamless access to web content such as podcasts, internet radio, audiobooks and personalized restaurant and hotel searches.

- ¹ EyeSight is a driver-assist system which may not operate optimally under all driving conditions. The driver is always responsible for safe and attentive driving. System effectiveness depends on many factors such as vehicle maintenance, weather and road conditions. See Owner's Manual for complete details on system operations and limitations. Please remember to turn off EyeSight when going through a carwash.
- ² Compatible smartphone and free Aha app required. For Aha to operate, latest version of Aha application and optional integrated audio and navigation system unit required. Data provided by smartphone is displayed on navigation screen. Some state laws prohibit the operation of handheld electronic devices while operating a vehicle. Smartphone apps should only be launched when vehicle is safely parked. Aha is a trademark of HARMAN International Industries, Incorporated. Your wireless carrier's rates may apply.

Capable, comfortable
and connected.





Capable, comfortable
and connected.

Outback 2.5i Limited with Warm Ivory Leather and optional equipment.

Rear Seat Entertainment System

Help everyone enjoy the drive with the accessory Rear Seat Entertainment System. It includes two 7-inch LCD monitors and two DVD players integrated right into the front-seat headrests. The dual-screen system allows rear passengers to watch movies, listen to music or play games either simultaneously or independently of each other. There's also a remote control and wireless headphones¹ for your convenience. Plus it's iPod^{®2} and MP3 compatible, and includes an A/V jack for game consoles and more.

¹ Headphones are for rear passengers use only.
² iPod accessory is not included.





© 2014 Subaru

Make room for more doing.

The spacious cabin and clever designs found on every Outback make getting in, getting out and getting all of your gear easier for you and your passengers. Generous legroom in the back, plenty of hip room in the front and spacious headroom all around make everyone comfortable. Yet with over 34 cubic feet of cargo volume behind the rear seats, there's still room for plenty of stuff. Fold down the 65/35-split seats and you can boost your cargo capacity to more than 71 cubic feet when big plans call for big things.



Scan this page to see how much you can fit in this roomy crossover.

Outback 2.5i Limited with Warm Ivory Leather and optional equipment.



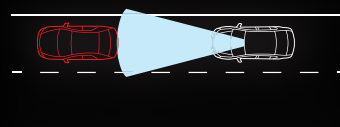
15 | 2014 Forester

There's more to Outback than meets the eye.



Pre-Collision Braking

A driver ahead unexpectedly hits the brakes or cuts you off. EyeSight^{®1} warns you, applies brakes to help avoid a collision, and at lower speeds can even help you stop your Subaru.



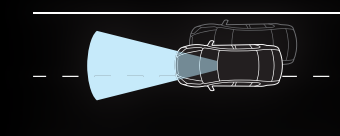
Adaptive Cruise Control

Traffic doesn't always flow, so EyeSight[®] doesn't only keep a set speed. The system looks ahead and helps automatically adjust to keep your distance, even in stop-and-go highway traffic.



Pre-Collision Throttle Management

You put the car in Drive instead of Reverse. EyeSight[®] cuts power when it sees an object in your path to help you avoid accelerating into it.



Lane Departure and Sway Warning

You accidentally drift to the edge of your lane and begin to cross into another. EyeSight[®] watches for lane markers and chimes to warn you before you leave yours.

¹ EyeSight is a driver-assist system which may not operate optimally under all driving conditions. The driver is always responsible for safe and attentive driving. System effectiveness depends on many factors such as vehicle maintenance, weather and road conditions. See Owner's Manual for complete details on system operations and limitations. Please remember to turn off EyeSight when going through a carwash.



Scan this page to watch how EyeSight[®] works in the real world.

Outback 2.5i Limited in Venetian Red Pearl with optional equipment.

Go bigger. Climb steeper. **Roam farther.**



17 | 2014 Outback



Scan this page to watch the 2014 Outback in action.

Outback 2.5i Premium in Ice Silver Metallic. Production model may vary.

Ready, willing and oh so able.



Symmetrical AWD

With an almost perfectly symmetrical layout, our unique all-wheel drive system offers better balance for stability and a more efficient flow of power to all four wheels for greater grip and control.



Suspension

With its rugged 4-wheel independent suspension and up to 8.7 inches of ground clearance, your Outback has the capability to take you to destinations ordinary cars can't. Yet it drives with a smooth ride and responsive handling few SUVs can match.



Exceptional Control

The balance of the SUBARU BOXER® engine and the grip of Subaru Symmetrical AWD help give you the power and responsiveness you need on those twisty roads and unpredictable conditions. This poise is combined with VDC electronic stability control, which can intervene to help you stay in control.



Versatility

Outback is filled with handy designs like the unique retractable cross bars of the roof rack system. These cross bars feature an adjustable spread that will help keep your stuff neatly packed and under control. While a spacious cargo area and a 65/35 split-folding rear seatback make loading, hauling and accessing cargo easy.



Rewarding Technology

Available features like a dual-zone automatic climate control system help keep you comfortable, while a USB for your iPod®, HD Radio®, SiriusXM® Satellite Radio¹ and Bluetooth® hands-free connectivity keep you connected and entertained. Now it also includes Aha™ connected service² via the Subaru STARLINK™ system with seamless access to web content such as podcasts, internet radio, audiobooks and personalized restaurant and hotel searches.



Innovative Safety

A 2013 IIHS Top Safety Pick Plus and Top Safety Pick for four years running (2010–2013)³, the Subaru Outback is comprehensively engineered to help keep you safe on the road. Protecting the passenger area, there's a Ring-shaped Reinforcement Frame, six standard airbags⁴ and the SUBARU BOXER® engine that's designed to push down and away from the passenger area in a collision. There's also EyeSight®, an available driver-assist system⁵ that monitors the road ahead and if necessary will deliver a warning or even apply brakes to help your Outback avoid an accident.

¹ Three-month trial subscription included when a dealer- or port-installed accessory or a four-month trial subscription included when factory-installed. Activation and required monthly subscription sold separately. See your dealer.
² Compatible smartphone and free Aha app required. For Aha to operate, latest version of Aha application and optional integrated audio and navigation system unit required. Data provided by smartphone is displayed on navigation screen. Some state laws prohibit the operation of handheld electronic devices while operating a vehicle. Smartphone apps should only be launched when vehicle is safely parked. Aha is a trademark of HARMAN International Industries, Incorporated. Your wireless carrier's rates may apply.
³ Top Safety Pick Plus winners must earn good ratings for occupant protection in at least 4 of 5 evaluations, with no less than acceptable in the fifth test. Ratings based on Insurance Institute for Highway Safety's (IIHS's) 40-mile-per-hour moderate overlap frontal crash test, 40-mile-per-hour small overlap frontal crash test, 31-mile-per-hour side-impact test, 20-mile-per-hour rear-impact test, and roof-strength test. For more information, contact IIHS or visit their website at www.iihs.org.
⁴ Always wear seatbelts. Children should be properly restrained in the rear seat.
⁵ EyeSight is a driver-assist system which may not operate optimally under all driving conditions. The driver is always responsible for safe and attentive driving. System effectiveness depends on many factors such as vehicle maintenance, weather and road conditions. See Owner's Manual for complete details on system operations and limitations. Please remember to turn off EyeSight when going through a carwash.

Outback 3.6R Limited in Satin White Pearl with accessory equipment.

“Few vehicles on the market can equal the Subaru Outback’s ability to conquer tough terrain while simultaneously delivering carlike fuel economy. Safety buffs will appreciate its perfect crash test marks and the availability of the segment-exclusive EyeSight driver assistance system.”¹

— KBB.com, 2013 Outback Review

“Subaru has racked up more endorsements by independent arbiters of automotive quality and safety than just about any other manufacturer.”²

— FORTUNE Magazine, December 3, 2012



2014 Outback | Trim Levels



2.5i

- 173-hp 2.5-liter 4-cylinder SUBARU BOXER® engine
- Subaru Symmetrical All-Wheel Drive
- 6-speed manual transmission or optional Lineartronic® CVT (Continuously Variable Transmission) with manual-mode paddle shifters
- 16-inch steel wheels with covers
- Roof rails with retractable and adjustable cross bars
- Cloth upholstery
- Silver metallic interior trim
- 6-way manually adjustable driver's seat. 4-way manually adjustable front-passenger's seat.
- 4-speaker single-CD audio system with Bluetooth® connectivity, 3.5-mm auxiliary jack and USB port/iPod® control
- Manually adjustable CFC-free air conditioning system with air filtration
- Auto-on/off headlights



2.5i Premium

Includes 2.5i key features and adds:

- 17-inch aluminum-alloy wheels
- Body-color side mirrors
- Fog lights
- 10-way power adjustable driver's seat. 4-way manually adjustable front-passenger's seat.
- Leather-wrapped steering wheel and shifter handle
- 6-speaker single-CD audio system with 4.3-inch LCD display, HD Radio®, USB port/iPod® control, SiriusXM® Satellite Radio¹, Bluetooth® audio streaming and hands-free phone connectivity, 3.5-mm auxiliary jack and Rear-Vision Camera²
- Driver's auto-up/down power window
- All-Weather Package



2.5i Limited

Includes 2.5i Premium key features and adds:

- Lineartronic® CVT (Continuously Variable Transmission)
- Leather-trimmed upholstery
- Woodgrain-patterned accent interior trim
- 10-way power adjustable driver's seat. 4-way power adjustable front-passenger's seat.
- Dual-zone automatic climate control system with center console rear vents
- Single-CD premium audio system with 4.3-inch LCD display, 9 Harman Kardon speakers, including subwoofer, 440-watt Harman Kardon amplifier, HD Radio®, USB port/iPod® control, SiriusXM® Satellite Radio¹, Bluetooth® audio streaming and hands-free phone connectivity, 3.5-mm auxiliary jack and Rear-Vision Camera²
- Electroluminescent gauges with LCD color display



3.6R Limited

- 256-hp 3.6-liter 6-cylinder SUBARU BOXER® engine
- Subaru Symmetrical All-Wheel Drive
- 5-speed automatic transmission with manual-mode paddle shifters
- 17-inch aluminum-alloy wheels
- Roof rails with retractable and adjustable cross bars
- Fog lights
- Leather-trimmed upholstery
- Woodgrain-patterned accent interior trim
- 10-way power adjustable driver's seat. 4-way power adjustable front-passenger's seat.
- Dual-zone automatic climate control system with center console rear vents
- Single-CD premium audio system with 4.3-inch LCD display, 9 Harman Kardon speakers, including subwoofer, 440-watt Harman Kardon amplifier, HD Radio®, USB port/iPod® control, SiriusXM® Satellite Radio¹, Bluetooth® audio streaming and hands-free phone connectivity, 3.5-mm auxiliary jack and Rear-Vision Camera²
- Electroluminescent gauges with LCD color display
- Driver's auto-up/down power window
- All-Weather Package

¹ Accolade based on 2013 Outback. From 2013 Subaru Outback Review on Kelley Blue Book's www.kbb.com. Kelley Blue Book is a registered trademark of Kelley Blue Book Co., Inc.

² Excerpted from FORTUNE Magazine, December 3, 2012 © 2012 Time Inc. Used under license. FORTUNE and Time Inc. are not affiliated with, and do not endorse products or services of, Subaru.

¹ Activation and required monthly subscription sold separately. Includes 4-month trial subscription. See your dealer.
² Requires Power Moonroof Package.

2014 Outback | Specifications

Engine and Drivetrain		2.5i	3.6R
Power Torque	2.5-liter DOHC aluminum-alloy 16-valve 4-cylinder horizontally opposed SUBARU BOXER® engine with Active Valve Control System. 173 hp @ 5,600 rpm 174 lb-ft @ 4,100 rpm	●	—
	3.6-liter DOHC aluminum-alloy 24-valve 6-cylinder horizontally opposed SUBARU BOXER® engine with Dual Active Valve Control System. 256 hp @ 6,000 rpm 247 lb-ft @ 4,400 rpm	—	●
Manual Transmission	Fully synchronized 6-speed manual with Hill Holder®. 2.5i and 2.5i Premium : Standard. 2.5i Limited : Not available.	●	—
Automatic Transmission	Lineartronic® CVT (Continuously Variable Transmission) with Adaptive Control, Hill Holder® and 6-speed manual mode with paddle shifters. 2.5i and 2.5i Premium : Optional. 2.5i Limited : Standard.	○	—
	Standard 5-speed automatic with Hill Holder®, manual mode, paddle shifters and downshift rev-matching control.	—	●
CA Emissions		LEV2/PZEV¹	ULEV2
Maximum towing capacity		2,700 lbs	3,000 lbs
Traction and Stability			
All-Wheel Drive type	Subaru Symmetrical All-Wheel Drive	●	●
Vehicle Dynamics Control (VDC)	VDC electronic stability control utilizes sensors which constantly monitor wheel speeds, steering angle, brake pressure, vehicle yaw rate and lateral g-forces. If VDC detects a difference between the driver's intended path and the one the vehicle is actually taking, VDC applies braking power and/or reduces engine torque to help correct vehicle path.	●	●
Traction Control System (TCS)	VDC also incorporates an all-wheel, all-speed traction control system which senses a loss of traction and applies braking force to the slipping wheel or wheels as necessary to maintain vehicle motion.	●	●
Fuel			
Fuel Economy	city/highway/combined²	Manual: 22/29/24 mpg CVT: 24/30/26 mpg	17/25/20 mpg
Fuel Requirement	Unleaded gasoline (87 octane)	●	●
Fuel Capacity	18.5 gallons	●	●

2014 Outback | Specifications

Chassis		2.5i	3.6R
Steering	Power-assisted rack-and-pinion. Turning circle: 36.8 feet.	●	●
Suspension	4-wheel independent raised. Front : MacPherson strut type. Stabilizer bar. Rear : Double wishbone. Stabilizer bar.	●	●
Brakes	4-wheel disc. 2.5i, 2.5i Premium and 2.5i Limited : ventilated front. 3.6R Limited : ventilated front and rear. 4-channel, 4-sensor ABS with Electronic Brake-force Distribution (EBD).	●	●
Brake Discs (front/rear)	2.5i, 2.5i Premium and 2.5i Limited : 11.6 inches/11.3 inches. 3.6R Limited : 12.4 inches/11.4 inches.	●	●
Brake Assist	When emergency braking is detected by how quickly the brake pedal is pressed, maximum brake pressure is immediately applied.	●	●
Brake Override System	If both brake and accelerator pedals are pressed simultaneously, the system reduces the operation of the accelerator pedal to help prevent unintentional vehicle acceleration.	●	●
Wheels and Tires			
Wheels	2.5i : 16 x 6.5-inch steel with wheel covers 2.5i Premium and Alloy Wheel Package : 17 x 7.0-inch 6-spoke aluminum-alloy. Silver finish. 2.5i Limited and 3.6R Limited : 17 x 7.0-inch 5-split-spoke aluminum-alloy. Machine finish. Special Appearance Package : Gray machine finish.	●	●
Tires	2.5i : 215/70 R16 99S All-season 2.5i Premium, 2.5i Limited, 3.6R Limited and Alloy Wheel Package : 225/60 R17 98T All-season	●	—
Spare Tire	Temporary use T145/80 R17	●	●

2014 Outback | Equipment

Exterior	2.5i	2.5i Premium	2.5i Limited	3.6R Limited
Projector-beam low-beam and multireflector high-beam headlights	●	●	●	●
Black-finish headlight inner bezels ³	—	—	○	○
Fog lights	□/○ ⁴	●	●	●
Front grille with gray-finish slats ³	—	—	○	○
Front underguard	□	□	●	●
Body-color folding side mirrors	—	●	●	●
Gray-finish folding side mirrors with integrated turn signals ³	—	—	○	○
Gray-finish door handles with driver's door unlock/lock touch sensor ³	—	—	○	○
Windshield wiper de-icer and heated side mirrors (All-Weather Package)	—	●	●	●
Roof rails with retractable and adjustable cross bars (9.8" adjustable spread. 150 lbs maximum capacity.)	●	●	●	●

Seating and Trim

6-way manually adjustable driver's seat. 4-way manually adjustable front-passenger's seat.	●	—	—	—
10-way power adjustable driver's seat with power adjustable lumbar support. 4-way manually adjustable front-passenger's seat.	—	●	—	—
10-way power adjustable driver's seat with power adjustable lumbar support. 4-way power front-passenger's seat.	—	—	●	●
2-position driver's seat memory ³	—	—	○	○
Heated front seats (All-Weather Package)	—	●	●	●
Reclining rear seats. 65/35-split flat-folding rear seatback	●	●	●	●
Cloth upholstery	●	●	—	—
Leather-trimmed upholstery	—	—	●	●
Leather-wrapped steering wheel & shifter handle	—	●	●	●
Silver metallic accent trim on doors and console	●	●	—	—
Woodgrain-patterned accent trim on doors and console	—	—	●	●

Convenience Features

Keyless Access & Start ³	—	—	○	○
Rear-Vision Camera ⁵	—	○	○	○
Electronic parking brake with Hill Holder [®] function. Auto-on/off headlights	●	●	●	●
Driver's auto up/down power window	—	●	●	●
3-spoke steering wheel with audio system, cruise control and Bluetooth [®] buttons	●	—	—	—
Leather-wrapped 3-spoke steering wheel with audio system, Bluetooth [®] , cruise control or (if equipped) EyeSight [®] adaptive cruise control buttons	—	●	●	●
Automatic transmission or Lineartronic [®] CVT transmission paddle shifters	○	○	●	●
Manually adjustable tilt/telescoping steering column	●	●	●	●
8 cup holders. Overhead console with dual maplights	●	●	●	●
Retractable/removable cargo-area cover	—	●	●	●
2 cargo-area grocery bag hooks and 4 cargo tiedown hooks	●	●	●	●
Removable cargo-area tray. Cargo-area underfloor storage	●	●	●	●

Audio System

4-speaker single-CD audio system with USB port/iPod [®] control, Bluetooth [®] audio streaming and hands-free phone connectivity, and 3.5-mm auxiliary jack	●	—	—	—
6-speaker single-CD audio system with 4.3-inch LCD display, HD Radio [®] , USB port/iPod [®] control, SiriusXM [®] Satellite Radio [®] , Bluetooth [®] audio streaming and hands-free phone connectivity, 3.5-mm auxiliary jack and Rear-Vision Camera ⁵	—	●	—	—
Single-CD premium audio system with 4.3-inch LCD display, 9 Harman Kardon speakers, including subwoofer, 440-watt Harman Kardon amplifier, HD Radio [®] , USB port/iPod [®] control, SiriusXM [®] Satellite Radio [®] , Bluetooth [®] audio streaming and hands-free phone connectivity, 3.5-mm auxiliary jack and Rear-Vision Camera ⁵	—	—	●	●

Climate Control

Manually adjustable CFC-free air-conditioning system with rotary controls for temperature and 4-speed fan	●	●	—	—
Dual-zone automatic digital climate control system with controls for temperature, 6-speed fan, airflow direction, dual-zone lockout, CFC-free air conditioning and center console rear vents	—	—	●	●

2014 Outback | Equipment

Instrumentation	2.5i	2.5i Premium	2.5i Limited	3.6R Limited
Analog speedometer, tachometer, "eco" fuel economy and fuel level gauges	●	●	—	—
Analog speedometer, tachometer, coolant temperature and fuel level gauges. LCD color display with "eco" fuel economy gauge and (if equipped) EyeSight [®] system functions.	—	○ ⁷	●	●
Multifunction display with driving range, average fuel economy, clock and ambient temperature	●	●	●	●

Security

Keyless entry system with answer-back electronic chirp	●	●	●	●
Antitheft security system with engine immobilizer	●	●	●	●

Safety

ACTIVE				
Subaru Symmetrical All-Wheel Drive (AWD)	●	●	●	●
Vehicle Dynamics Control (VDC) and Traction Control System (TCS)	●	●	●	●
4-wheel antilock braking system (ABS) with Electronic Brake-force Distribution (EBD)	●	●	●	●
Brake Assist and Brake Override System	●	●	●	●
Daytime Running Lights (DRL)	●	●	●	●
EyeSight [®] Driver-Assist System ⁸	—	○	○	○
Tire Pressure Monitoring System (TPMS)	●	●	●	●
PASSIVE				
Driver's and front-passenger's front airbags (SRS) ⁹	●	●	●	●
Subaru advanced frontal airbag system (SRS) ⁹	●	●	●	●
Seat-mounted front side-impact airbags (SRS) ⁹	●	●	●	●
Side-curtain airbags protecting front and rear outboard occupants (SRS) ⁹	●	●	●	●
Whiplash-protection front seats. Height-adjustable front-seat head restraints.	●	●	●	●
Height-adjustable 3-point front seatbelts with pretensioners and force limiters	●	●	●	●
3-point seatbelts at all rear seating positions	●	●	●	●
LATCH system: Lower Anchors and Tethers for Children	●	●	●	●

Optional Equipment

EyeSight [®] Driver-Assist System ⁸ : Pre-Collision Braking System, Pre-Collision Throttle Management, Lane Departure and Sway Warning, Adaptive Cruise Control	—	○ ^{5,10}	○ ^{5,11}	○ ^{5,11}
Navigation System Package: Voice-activated 7-inch high-resolution touch-screen GPS navigation system with Subaru STARLINK [™] system with Aha [™] connected service ¹² , SiriusXM [®] Satellite Radio [®] and NavTraffic ^{®6} , USB port/iPod [®] control, Bluetooth [®] audio streaming and hands-free phone connectivity, 3.5-mm auxiliary jack, Rear-Vision Camera, and 9 Harman Kardon speakers and amplifier (2.5i Limited and 3.6R Limited only)	—	○ ⁵	○ ⁵	○ ⁵
Special Appearance Package: Gray machine-finish 17-inch aluminum-alloy wheels, front grille with Gray-finish slats, Black-finish headlight inner bezels, Gray-finish folding side mirrors with integrated turn signals, Gray-finish door handles with driver's door unlock/lock touch sensor, Black rear bumper cover, Saddle Brown Leather-trimmed upholstery, 2-position driver's seat memory, Matte-finish woodgrain-patterned accent trim, carpeted floor mats with Outback logo, Keyless Access & Start, EyeSight [®] Driver-Assist System ⁸ , Navigation System Package and Power Moonroof Package	—	—	○	○
Power Moonroof Package: Power tilt/sliding-glass moonroof (96% UV light reducing), auto-dimming rearview mirror with HomeLink [®] and Rear-Vision Camera	—	○	○	○
Alloy Wheel Package: 17-inch alloy wheels, Fog lights	○	—	—	—
Lineartronic [®] CVT (Continuously Variable Transmission)	○	○	●	—

● Standard ○ Optional — Not equipped □ Available dealer-installed accessory

1 2014 Outback 2.5L models achieving a Partial Zero Emission Vehicle (PZEV) rating by the California Air Resources Board are available in all 50 states. Only those registered in California, Connecticut, Maine, Maryland, Massachusetts, New Jersey, New York, Rhode Island and Vermont will be eligible for the 15 years/150,000 mile emission warranty. Delaware, Oregon, Pennsylvania and Washington vehicles are not covered under PZEV emissions control warranty. See your warranty maintenance booklet for additional information. 2 2014 EPA fuel economy estimates. Actual mileage may vary. 3 Available only with Special Appearance Package. See optional equipment listing. See your dealer. 4 Requires Alloy Wheel Package. 5 Requires Power Moonroof Package. 6 Activation and required monthly subscription sold separately. Includes 4-month trial subscription. See your dealer. 7 Requires EyeSight[®] Driver-Assist System. 8 EyeSight not available with Crystal Black Silica exterior color. Not available with manual transmission. EyeSight is a driver-assist system which may not operate optimally under all driving conditions. The driver is always responsible for safe and attentive driving. System effectiveness depends on many factors such as vehicle maintenance, weather and road conditions. The Pre-Collision Braking System is designed to provide automatic braking that either prevents a collision or reduces the severity of a frontal impact. The Pre-Collision Throttle Management System is designed to reduce acceleration and minimize the severity of certain frontal impact. Adaptive Cruise Control is designed to assist the driver and is not a substitute for safe and attentive driving. The Lane Departure and Sway Warning operates only when the lane markings are visible and its effectiveness depends on many factors. See Owner's Manual for complete details on system operations and limitations. Please remember to turn off EyeSight when going through a carwash. 9 The Supplemental Restraint System (SRS) (airbags) affords the driver and the front and rear outboard passengers additional protection in moderate to severe frontal and side-impact collisions. This system provides supplemental protection only, and seatbelts must be worn in order to avoid injuries to out-of-position occupants upon airbag deployment and to provide the best combined protection in a serious accident. Children should always be properly restrained in the rear seat. 10 Not available with Navigation System Package. 11 Requires Navigation System Package. 12 Compatible smartphone and free Aha app required. For Aha to operate, latest version of Aha application and optional integrated audio and navigation system unit required. Data provided by smartphone is displayed on navigation screen. Some state laws prohibit the operation of handheld electronic devices while operating a vehicle. Smartphone apps should only be launched when vehicle is safely parked. Aha is a trademark of HARMAN International Industries, Incorporated. Your wireless carrier's rates may apply.

2014 Outback | Accessories



All-weather Floor Mats. Custom-fitted, heavy-gauge protective mats. Help protect vehicle's carpet from sand, dirt and moisture. Not intended for use on top of carpeted floor mats.



Dog Guard/Compartment Separator. Separates pets and cargo from the passenger area. Not for use with child seats requiring tether straps.



Trailer Hitch. Heavy-duty rated at up to 3,000 lbs towing capacity and 200 lbs tongue weight. Hitch ball not included. Trailer brakes may be needed. 2.5i: 2,700 lbs; 3.6R: 3,000 lbs.



Auto-dimming Mirror with Compass and HomeLink®. Darkens when headlights are detected from behind the vehicle. Includes a compass and three integrated HomeLink® buttons that are programmable for most garage-door openers and other HomeLink®-compatible devices.



Rear Seatback Protectors. Provide additional protection to the rear seatbacks when lowering the seats to transport larger cargo. Use in conjunction with the Rear Cargo Tray.



Puddle Lights. L.E.D. lights activate when vehicle doors are unlocked using the keyless entry. A soft glow illuminates the ground, aiding entry and exit of the vehicle.



Body Side Moldings. Attractive color-matched moldings coordinate with the styling of the vehicle, while helping to protect doors from unsightly dings.



Wheel Arch Molding Kit. Black textured moldings help protect the wheel arch areas, while adding a rugged, yet classy look. The wheel arch moldings look great with the addition of the accessory Splash Guards.



Splash Guards. Help protect the vehicle's paint finish from stones and road grime.



Side Window Deflectors. Let the fresh air in while helping to keep the weather out. Deflector design includes integrated chrome insert to match window frame trim. Side Window Deflectors may not be legal in all states. Please check the laws of your state.



Remote Engine Starter—Smart Engine Start. Allows vehicle to be started at the push of a button from outside the vehicle. Preset the heating or air-conditioning controls to help bring the interior temperature to a more comfortable level prior to entry. Smart Engine Starter works in conjunction with the Keyless Access and Start system. Operating distance is up to 75 feet away, depending on vehicle obstructions. May not be used in conjunction with the Mobile Internet.



Remote Engine Starter. Allows vehicle to start from the convenience of home or the office (up to 400 feet away depending on obstructions) so that the vehicle's interior temperature is more comfortable upon entry. Remote confirms when vehicle engine has been started. A/T only – Excludes Keyless Access and Start System. May not be installed in conjunction with the Mobile Internet.

2014 Outback | Owner Benefits

Protecting Your Investment

Once you're part of our family, we'll be there for you. Every Subaru comes with 24-hour roadside assistance for 3 years or 36,000 miles. If you have trouble on the road, a tow to the nearest Subaru dealership and other services are just a phone call away. And to protect you over the long haul, we offer Added Security®—extended service agreements and maintenance plans that will help protect your car for up to 7 years or 100,000 miles. They're the only mechanical and maintenance plans backed by Subaru, and because we've been backing them for more than 30 years, they're agreements you can trust. Your dealer has full coverage details.

Warranties

New Car Limited Warranty

3 years or 36,000 miles, whichever comes first.

Powertrain Limited Warranty

5 years or 60,000 miles, whichever comes first.

Wear Item Limited Warranty

3 years or 36,000 miles, whichever comes first.

Repairs to the following items will also be covered under Wear Item Limited Warranty:

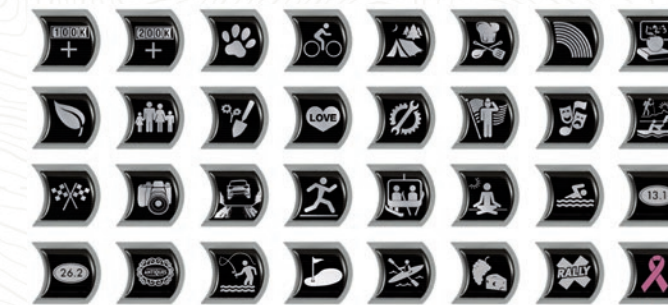
- Brake Pads
- Wiper Blades
- Clutch Linings
- Transmitter Batteries

Rust Perforation Limited Warranty

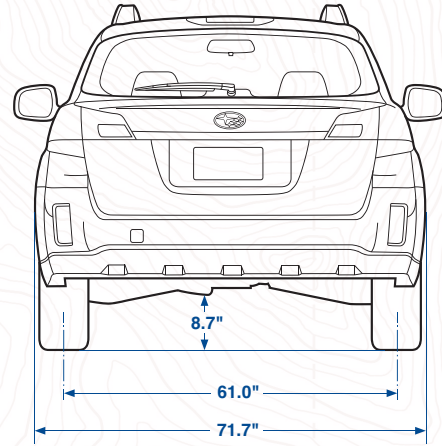
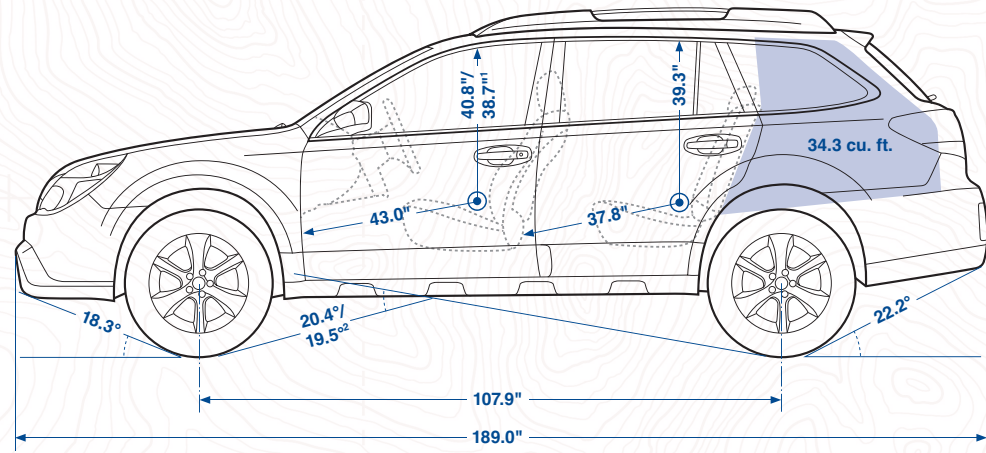
5 years, unlimited mileage.

Subaru Badge of Ownership

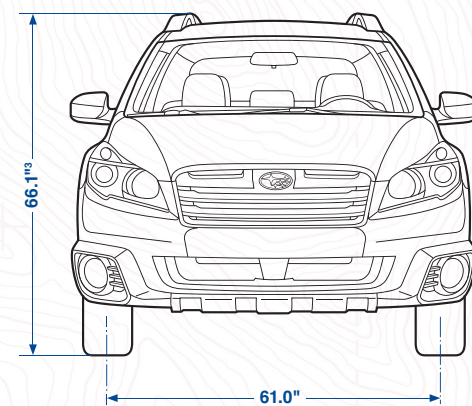
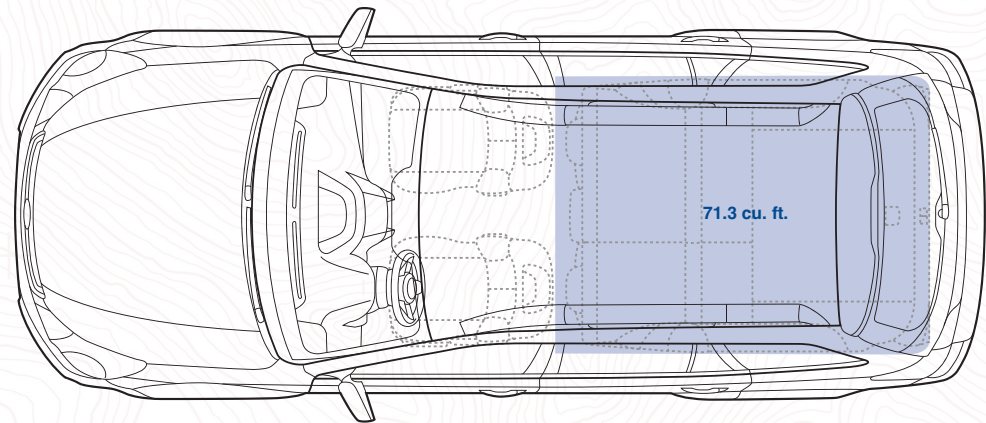
True commitment shows through. For Subaru owners, it shows in kayak scuffs and snowboard scratches. It can take the form of dog hair that just won't come out, fresh coats of dust, or extra coats of wax. For many, the Subaru Badge of Ownership lets them show their commitment to the life they live and the confidence that has inspired them to fully embrace it. Owners can order badges online for free, stick them on their car, and let everyone know how they experience the world. Which one would you get?



2014 Outback | Dimensions



Length/Width/Height	189.0 inches/71.7 inches (80.7 inches, including mirrors)/65.8 inches (66.1 inches with cross bars in position)
Wheelbase	107.9 inches
Track (front/rear)	61.0 inches/61.0 inches
Base curb weight (manual/automatic)	2.5i: 3,423 lbs/3,495 lbs 2.5i Premium: 3,429/3,508 lbs 2.5i Limited: N/A/3,538 lbs 3.6R Limited: N/A/3,648 lbs
Ground clearance (at base curb weight)	8.7 inches

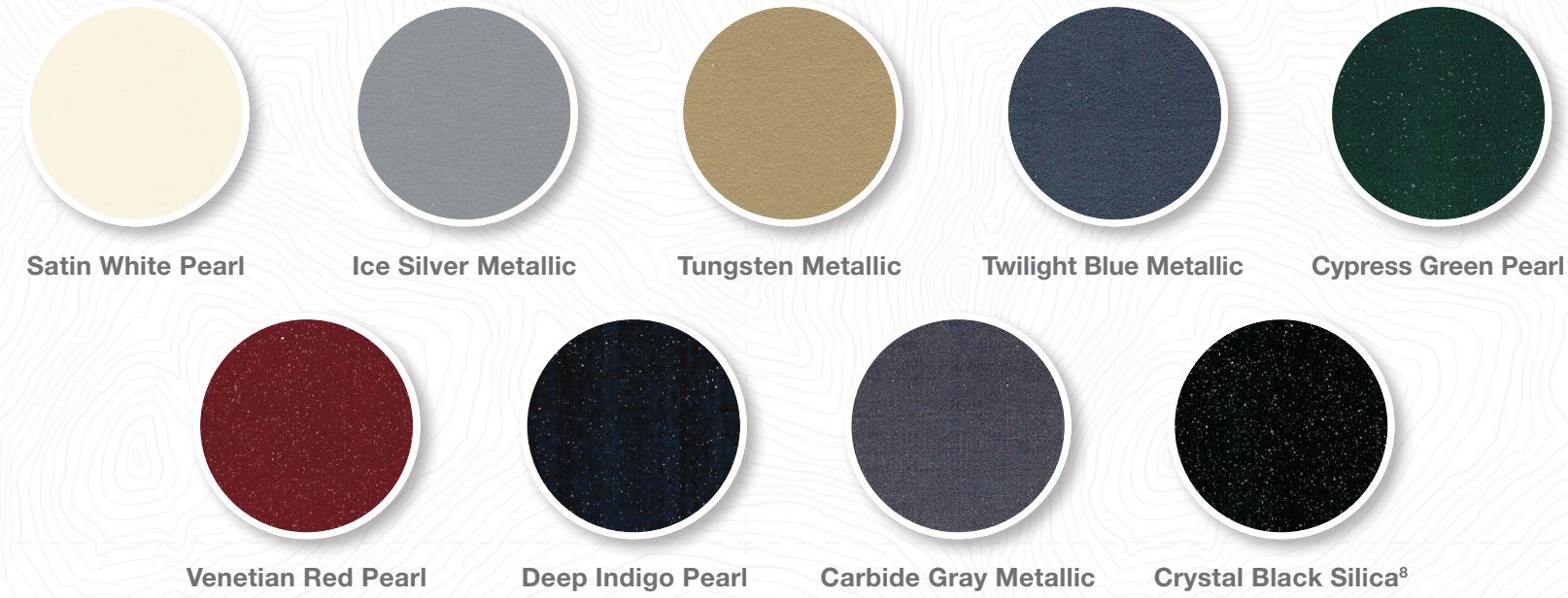


Headroom (front/rear)	40.8 inches/39.3 inches (with available moonroof: 38.7 inches/39.3 inches)
Legroom (front/rear)	43.0 inches/37.8 inches
Shoulder room (front/rear)	56.3 inches/56.1 inches
Hip room (front/rear)	54.5 inches/53.9 inches
Passenger volume	105.4 cubic feet (with available moonroof: 102.4 cubic feet)
Cargo volume	34.3 cubic feet
Maximum cargo volume	71.3 cubic feet with rear seatback lowered

1 With available moonroof.
2 3.6R Limited.
3 With cross bars in position.

2014 Outback | Colors

Paint



Upholstery



Color Combinations

	2.5i	2.5i Premium	2.5i Limited	3.6R Limited	2.5i Limited Special Appearance Package	3.6R Limited Special Appearance Package
Satin White Pearl	ISC	ISC	WIL	WIL	SBL	SBL
Ice Silver Metallic	BSC	BSC	OBL	OBL	—	—
Tungsten Metallic	ISC	ISC	WIL	WIL	—	—
Twilight Blue Metallic	BSC or ISC	BSC or ISC	OBL or WIL	OBL or WIL	—	—
Cypress Green Pearl	ISC	ISC	WIL	WIL	—	—
Venetian Red Pearl	BSC or ISC	BSC or ISC	OBL or WIL	OBL or WIL	—	—
Deep Indigo Pearl	ISC	ISC	WIL	WIL	SBL	SBL
Carbide Gray Metallic	BSC	BSC	OBL	OBL	SBL	SBL
Crystal Black Silica[®]	ISC	ISC	WIL	WIL	—	—

— Not available

Responsible. Reliable. Ready to join the family.

At Subaru, we're committed to building a lasting, rewarding relationship with you and the world we share. We start by building our vehicles to last—it's why 96% of all the vehicles we've built in the last 12 years are still on the road today.¹ We also share your desire for a cleaner, greener world. Select 2014 Outback and Legacy, plus every 2014 non-turbo Forester and Impreza, and XV Crosstrek models achieve Partial Zero Emission Vehicle—PZEV²—status, because of their exceptionally low emissions. What's more, in 2004 Subaru of Indiana Automotive, Inc., (SIA) became the first manufacturing facility in the U.S. to reach zero-landfill status—nothing from its manufacturing efforts ever goes into a landfill. Subaru is also headquartered in a zero-landfill office in Cherry Hill, NJ.



Find out more about our efforts to keep it cleaner and greener.
subaru.com/environment

Outback 2.5i Premium shown with accessory Kayak Carrier on front cover.

¹ Based on Polk U.S. Vehicles in Operation registration information for MY 2001–2013 as of January 2013. ² 2014 Outback 2.5L models achieving a Partial Zero Emission Vehicle (PZEV) rating by the California Air Resources Board are available in all 50 states. Only those registered in California, Connecticut, Maine, Maryland, Massachusetts, New Jersey, New York, Rhode Island and Vermont will be eligible for the 15 years/150,000 mile emission warranty. Delaware, Oregon, Pennsylvania and Washington vehicles are not covered under PZEV emissions control warranty. See your warranty maintenance booklet for additional information.

Some images shown are for illustration purposes only. Specifications in this brochure are based on the latest product information available at the time of publication. For the most up-to-date and detailed product information, log on to www.subaru.com. Some equipment shown in photography in this brochure is optional at extra cost. Specific options may be available only in combination with other options. Specific combinations of equipment or features may vary from time to time and by geographic area. Certain accessories and equipment may not be available at the time of publication. Subaru of America, Inc., reserves the right to change or discontinue at any time, without notice, prices, colors, materials, equipment, accessories, specifications, models and packages without incurring any obligation to make the same or similar changes on vehicles previously sold. Colors shown may vary due to reproduction and printing processes.

This brochure was prepared by Subaru of America, Inc. A warranty from Subaru of America, Inc., is available only on cars sold to the first retail purchaser through an authorized Subaru dealer in the continental U.S. or Alaska. Every owner of the car during the warranty period shall be entitled to the benefit of these warranties. Subaru, SUBARU BOXER, Lineartronic, Added Security, Hill Holder and Outback are registered trademarks. Confidence in Motion and Starlink are trademarks of Fuji Heavy Industries, Ltd. EyeSight is a registered trademark of Fuji Heavy Industries, Ltd. Harman Kardon is a registered trademark of HARMAN International Industries, Incorporated. Aha is a trademark of HARMAN International Industries, Incorporated. Bluetooth is a registered trademark of Bluetooth SIG, Inc. HD Radio is a registered trademark of iBiquity Digital Corporation. HomeLink is a registered trademark of Prince Corporation, a wholly owned subsidiary of Johnson Controls. Apple, iPod and iTunes are registered trademarks of Apple Inc. App Store is a service mark of Apple Inc. Google Play and Android are trademarks of Google Inc. SiriusXM and NavTraffic are registered trademarks of SiriusXM Radio Inc. For more information, contact your Subaru dealer or log on to www.subaru.com.

These brochures were printed with vegetable-based inks and produced using a "Green Printing Process" and FSC® standards. The Forest Stewardship Council™ (FSC) is an international organization that brings people together to find solutions which promote responsible stewardship of the world's forests and environments.

By producing these brochures in a green way rather than by traditional methods, we saved 179 trees preserved for the future; 83,819 gallons of wastewater flow saved; 5,611 lbs solid waste not generated; 15,455 lbs net greenhouse gases prevented; 81,000,000 BTUs energy not consumed. Calculations provided by Environmental Paper Network. FSC® is not responsible for any calculations on saving resources by choosing this paper.

Love. It's what makes a Subaru, a Subaru.

