



SRX

2013
CADILLAC SRX



- SRX
- HIGHLIGHTS
- EXTERIOR
- INTERIOR
- CUE
- SAFETY TECHNOLOGY
- POWERTRAIN
- COLLECTIONS
- COLOR
- WHEELS & SPECS

*IT DOESN'T SIT
ON THE FENCE.*

In a world of look-alike crossovers, the captivating SRX stands deliberately, daringly apart. With a potent direct-injected V6 engine, it's as exhilarating as it is dramatic. Plus, when you combine the available advanced All-Wheel Drive system with a Continuously Variable Real-time Damping suspension, the SRX quickly and confidently masters changing road conditions. Bold, refined and ingenious, the SRX is a crossover that steadfastly refuses to follow.





GET THE LATEST FROM CADILLAC

Get news, events, info and updates—
all in a monthly e-mail.

SIGN UP »

- SRX
- HIGHLIGHTS
- EXTERIOR
- INTERIOR
- CUE
- SAFETY TECHNOLOGY
- POWERTRAIN
- COLLECTIONS
- COLOR
- WHEELS & SPECS

SRX / Gray Flannel Metallic

IT SEATS FIVE.

YET STANDS ALONE.



SRX / Black Raven



CUE

Groundbreaking CUE—standard on every SRX—employs first-of-its-kind technology that brings the intuitive control of smartphones and tablets conveniently to the road. Its clean, uncluttered design features a vibrant 8" touch screen that pairs with Natural Voice Recognition for effortless interaction.



INTERIOR LUXURY

Every detail has been thoughtfully considered, right down to the polished accents, available Sapele wood trim, and leather seating surfaces refined with French-stitched seams.



ULTRAVIEW SUNROOF

The available UltraView sunroof is a perfect example of the thoughtful design featured throughout the SRX. With its large glass area that spans both front and rear seats, it gives the vehicle an even more spacious feel. When the sun gets more intense, a convenient power sunshade blocks the light and keeps things cool.

The 2013 SRX is thoughtfully refined and intelligently advanced. At the forefront of its groundbreaking new technology is CUE¹—Cadillac User Experience. CUE connects you and your vehicle like never before, letting you tap, flick and swipe through its menu with ease using the vibrant touch screen. Equally as impressive are the available safety technologies like the radar-based perimeter warning that helps alert you to obstacles that may go unseen. And outside, the SRX sports an updated look courtesy of a refined grille and brilliant chrome side vents accented with subtle LED light pipes, along with newly designed, available 20" wheels.

1. Full functionality requires compatible Bluetooth® and smartphone. Some devices require USB connectivity.



SRX EXTERIOR



SRX / Gray Flannel Metallic

THE SIMPLE RECIPE FOR
EXTRAORDINARY.



SRX / Gray Flannel Metallic



INTELLIGENT HEADLAMPS

Signature vertical light pipes frame available High-Intensity Discharge (HID) headlamps that include headlamp washers and Adaptive Forward Lighting. This feature employs sensors to determine the car's speed and steering, and then swivels the headlamps to cast light precisely into your path of travel.



From the jeweled facets of its brilliant headlamps to its chiseled, angular sheet metal, the SRX makes a powerful statement. Even when viewed from the rear, its striking design is enhanced by advanced LED taillamps. They react more quickly than traditional bulbs and last up to ten times longer. And their light pipe technology forms a razor-thin blade that sparks instant Cadillac recognition. There's also an integrated rear spoiler that manages airflow to help keep the window free from dirt and moisture. Even the brightly polished dual-exhaust outlets are beautifully integrated into the fascia to complete the bold look.

EXTERIOR STYLING

CLICK THE HOTSPOTS FOR FEATURE DETAILS

Adaptive Forward Lighting

This available feature uses sensors to read speed and steering angle to swivel high-intensity headlamps up to 15 degrees to light the intended direction of travel.

Front Grille

The newly designed front upper and lower grilles feature strong lines, sharp creases and a luxury finish to make a bold statement.



Roof Rails

Roof rails that, when fitted with the appropriate available racks or cargo boxes, can accommodate large items like snowboards or bicycles.



Fender Vents

The newly designed front fender vents incorporate LED light pipes, enhancing the already stunning exterior lighting.



SRX PREMIUM COLLECTION / Light Titanium with Ebony Accents

SRX INTERIOR





IN THE B
IT'S
F

SRX PREMIUM COLLECTION / Light

The SRX interior is as luxurious as it is accommodating. Step inside, and your eye is drawn immediately toward precise cut-and-sewn accents, the available supple leather seating surfaces and the rich grain of exotic Sapele wood. It's also apparent in the things you can't see. New Bose® Active Noise Cancellation detects—then ingeniously cancels—powertrain noise before it enters the cabin. Triple door seals, coupled

with a laminated windshield and front-side windows, also contribute to a noticeably quieter vehicle. The SRX offers clever practicality. Fold down the rear seat, and you have more than 60 cu. ft. of maximum cargo space. There's also a storage compartment beneath the floor that holds small items. There's also thoughtful storage in the door bins, the doors and in the backs of the front seats.

THE BIG PICTURE,
THE SMALL DETAILS
THAT MATTER MOST.

Light Titanium with Ebony Accents

...window glass,
...le. The SRX also
...seats to reveal
...e, complete with
...at lets you conceal
...front and rear



FRENCH-STITCHED SEATS

Luxury extends to every detail. Glove-soft leather seating surfaces are available and stitched with French seams, adding a touch of sophistication and understated elegance.



REAR SEAT ENTERTAINMENT SYSTEM

With dual DVD players integrated into the back of the front seats, this available entertainment system lets rear passengers watch movies, attach a portable gaming console, and more. The system is Blu-ray® compatible and includes two sets of headphones and a remote control.

THE CUTTING EDGE OF TECHNOLOGY.

NOW EVEN SHARPER.

Advanced technology abounds inside the SRX, all aimed at improving the driver experience. With CUE¹, innovative technology and highly intelligent design come together to create an experience that's as effortless as it is advanced. Simple and sleek, its stunning 8" LCD touch screen becomes active with a wave of your hand. CUE easily accesses every contact and song on up to 10 Bluetooth²-enabled smartphones, streams Pandora Radio³ and lets you preset up to 60 favorites, including points of interest, addresses, phone numbers, and more.



FINGERTIP CONTROLS

The steering wheel's elegant, multifunctional design incorporates intuitive controls for CUE, audio and cruise control.

1. Full functionality requires compatible Bluetooth[®] and smartphone. Some devices require USB connectivity.

2. Go to gm.com/bluetooth to find out which Bluetooth phones are compatible with the vehicle. 3. Data plan rates apply.



72°

12:48



AUDIO



NAV



PHONE



CLIMATE



PANDORA



WEATHER



ONSTAR



SETTINGS



VOLUME



AUTO



REAR



OFF



With CUE¹ control, convenience and connectivity in your SRX are simple and intuitive. Spread your fingers to zoom in closer on a map² Swipe to breeze through your music. Use the steering wheel controls, or simply speak in a conversational tone and let Natural Voice Recognition help you effortlessly place a phone call or change your music.



Considering that it can even detect your hand as it approaches the touch screen, interacting with CUE couldn't be easier. And when an icon is touched, the screen pulses to acknowledge the command, letting you keep your eyes safely on the road. Add the available 3-D navigation³ to access SiriusXM Travel Link weather⁴ maps.

A tap enables the center control panel to cleverly glide open to reveal a concealed storage area for your phone or other mobile device and includes an illuminated USB port.⁵ With CUE, the customization and content possibilities are not only endless, but also right at your fingertips.

1. Full functionality requires compatible Bluetooth® and smartphone. Some devices require USB connectivity. 2. Requires available navigation system. 3. Map coverage available in the United States, U.S. Virgin Islands, Puerto Rico and Canada. 4. Requires active SiriusXM subscription. 5. Not compatible with all devices.



*IT KEEPS A WATCHFUL EYE
ON THE UNFORESEEABLE.*

SRX offers the latest innovations in driver awareness and assistance to help inform you of potential hazards you may not even see. Using radar technology and strategically placed cameras, the SRX is ever-vigilant with the available Driver Awareness Package. Among its advanced safety features are Forward Collision Alert, Lane Departure Warning, and Front and Rear Park Assist with

the patented Safety Alert Seat. Taking safety a step further, there's the available Driver Assistance Package¹ that includes automatic front and rear braking, and Adaptive Cruise Control² that uses radar to maintain a preset distance between you and the vehicle in front. This high-tech approach to safety is yet another example of Cadillac leading you confidently down the road ahead.

1. Requires available Driver Awareness Package. 2. Adaptive Cruise Control is no substitute for the driver's personal responsibility to operate the vehicle in a safe manner. The driver needs to remain attentive to traffic and road conditions and provide the steering, braking or other inputs necessary to retain control of the vehicle.



SAFETY ALERT SEAT

The available patented Safety Alert Seat intuitively sends subtle pulses through the seat cushion, left or right or simultaneously, alerting you to a variety of potential hazards on the road.



LANE DEPARTURE WARNING

Offering the latest innovation in driver awareness, available Lane Departure Warning issues visual and audible warnings as well as subtle pulses through the seat cushion if the vehicle begins to drift out of its lane without the driver first activating the turn signal.

SIDE BLIND ZONE ALERT

Available Side Blind Zone Alert¹ uses radar equipped sensors that sweep the sides of the SRX. If your turn signal is activated and a vehicle enters one of your blind spots, an alert warns you of its presence. It's like having an extra set of eyes so you can more safely change lanes.

EXPERIENCE SIDE BLIND ZONE ALERT

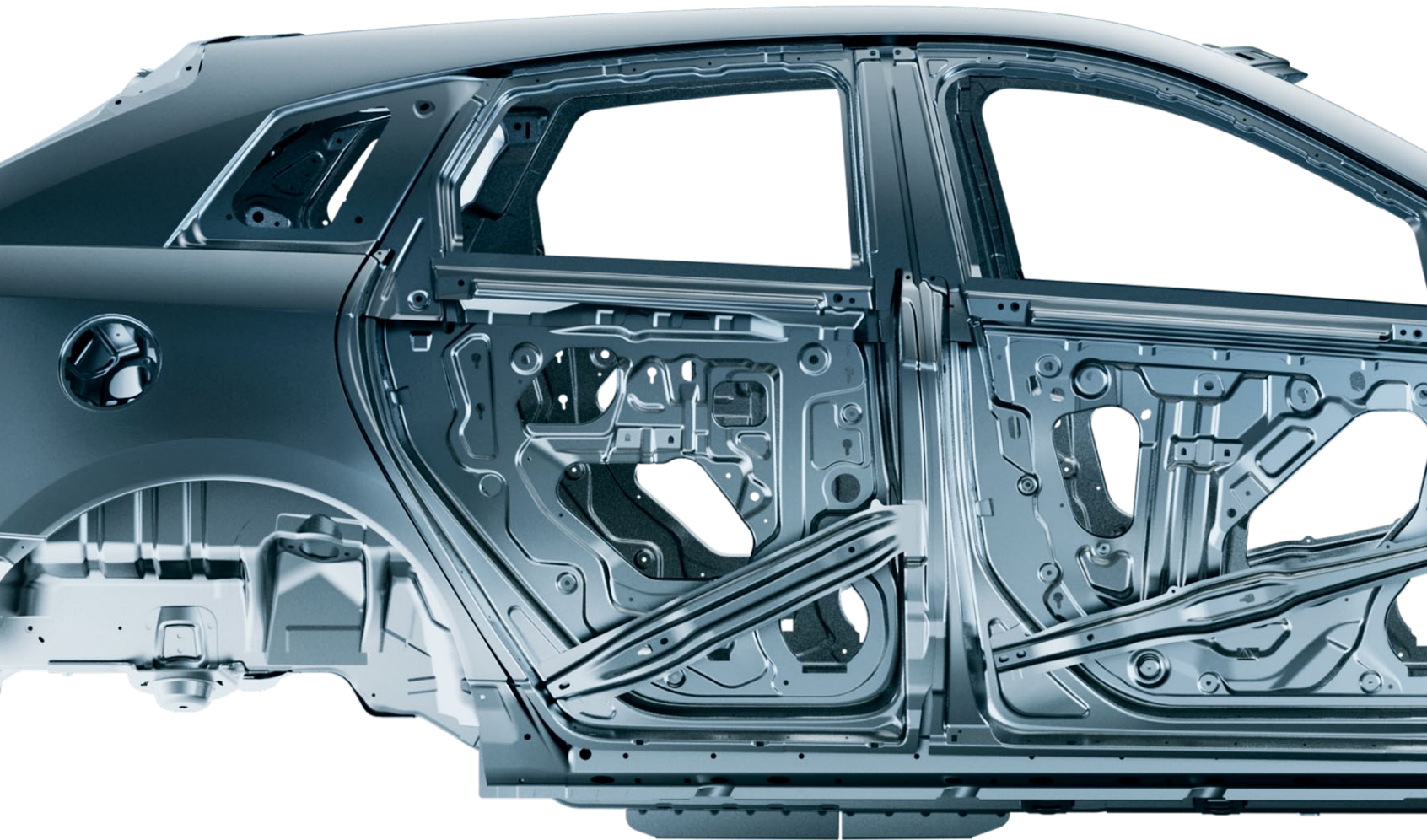


1. Before making a lane change, always check the SBZA display and the side and inside mirrors, look over your shoulder for vehicles and hazards, and activate your turn signal.



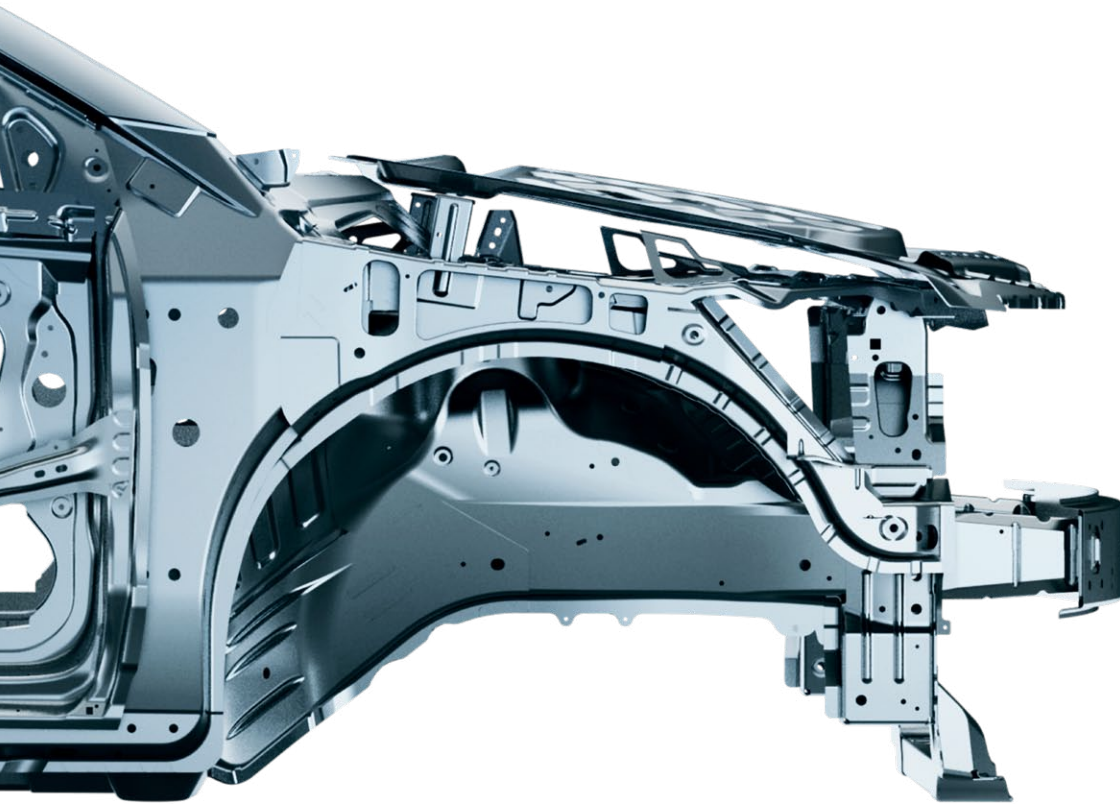
PROTECTIVE

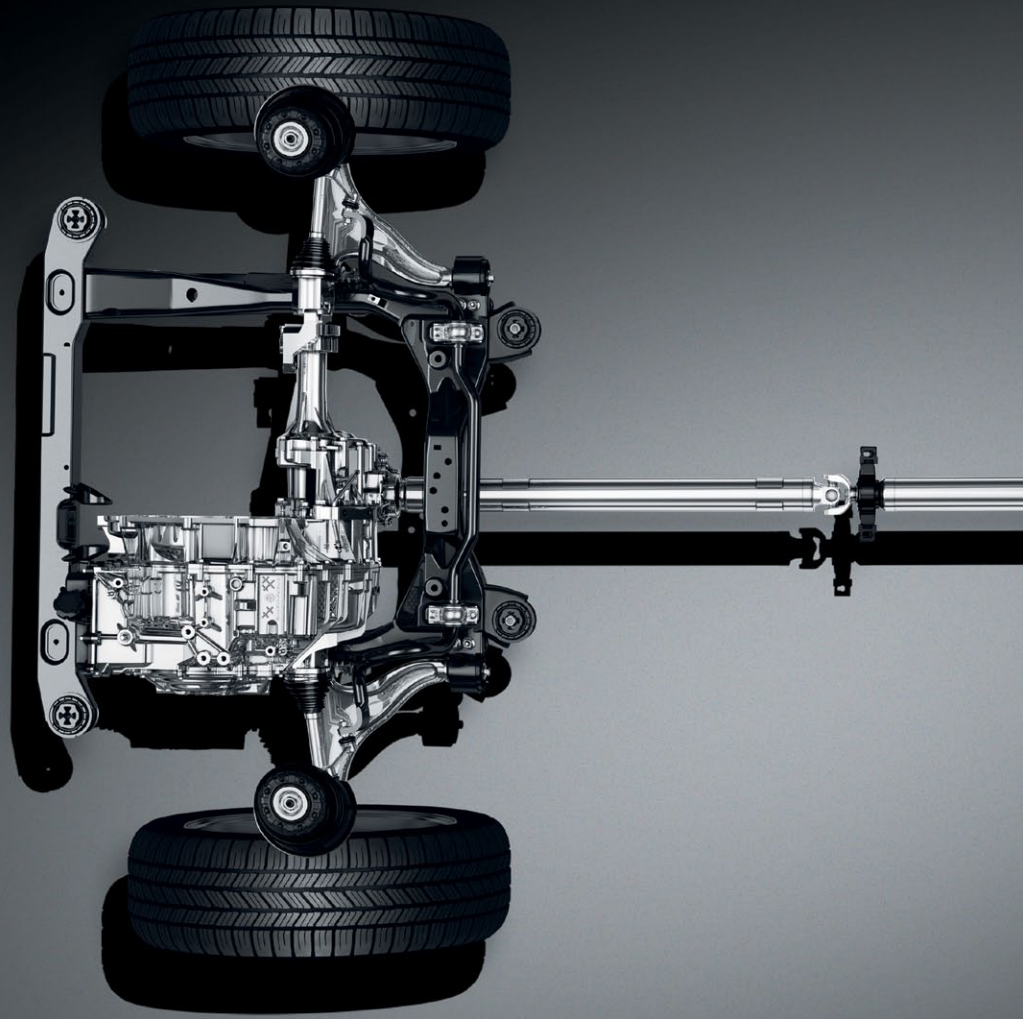
TO ITS CORE.



1. Always use safety belts and the correct restraint for your child's age and size. Even in vehicles equipped with the Passenger Sensing System, children are safer when properly secured in a rear seat in the appropriate infant, child or booster seat. Never place a rear-facing infant restraint in the front seat of any vehicle equipped with a passenger air bag. See the Owner's Manual and child safety seat instructions for more safety information. 2. Visit onstar.com for details and system limitations. OnStar acts as a link to emergency service providers.

It starts with a protective safety cage constructed with ultra-high-strength steel alloys for exceptional rigidity. Then, crumple zones are engineered and strategically positioned. From there, advanced technology is added, like the StabiliTrak Electronic Stability Control System and sophisticated antilock braking system (ABS) with Electronic Braking Force Distribution. There's also the confidence that comes with rollover mitigation sensors, front safety belt pretensioners and load limiters, and six standard airbags including the protection of first- and second-row outboard head-curtain side-impact airbags.¹ Finally, there's OnStar² Automatic Crash Response. In a crash, built-in sensors in your vehicle can automatically send an alert to an OnStar Advisor, who can contact you in your car.





PROACTIVE? R

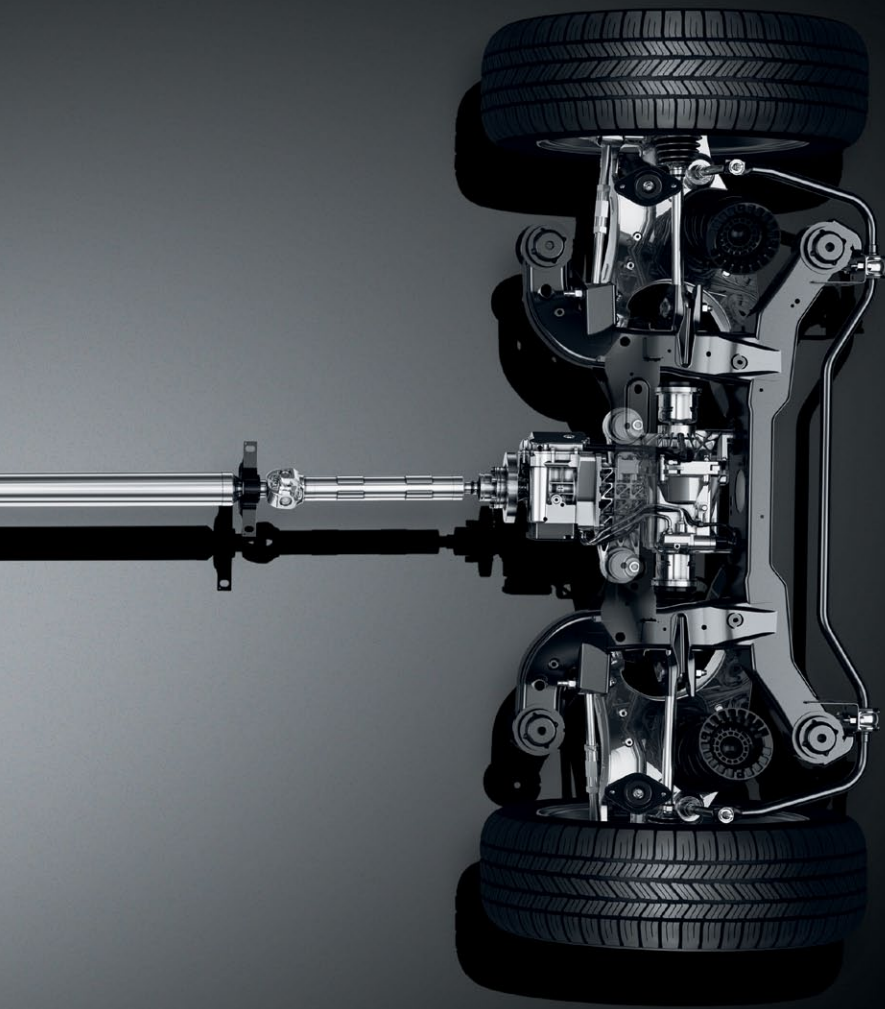


AUTO-DRY BRAKES

Wet roads mean longer stopping distances. Auto-Dry brake¹ technology—activated after rain is detected—helps sweep moisture away from the rotors, helping to improve braking performance.

SRX has
confidenc
that strik
composur
is availab
(front to r
your drivin
intuitively
challenges

1. Go to cadillac.com/autodry for limitations and details.



REACTIVE? *YES.*

the ability to instill unwavering driving
e, thanks to its precisely tuned suspension
es the perfect balance of refinement and
e. Complementing this advanced suspension
le advanced All-Wheel Drive. Torque transfer
(rear and rear side to side) is proactive—taking
ng input and monitoring road conditions to
put power where it's most effective—anticipating
s before they arise. The AWD system and

rear electronic Limited-Slip Differential (eLSD)
work in tandem to provide enhanced control while
cornering. There's also the agile responsiveness of
available Continuously Variable Real-time Damping
suspension. It seamlessly adjusts to road conditions,
reading the road and adjusting damping forces every
two milliseconds. Combined with AWD, the result is a
refined ride, agile cornering and enhanced acceleration,
whether it's raining or 70 and sunny.

Effortless power, impeccably delivered—that's the 308 HP, direct-injected V6 engine in the SRX. Whether it's a soaring mountain pass, the harried highway on-ramp or the instant allure of a winding curve, you'll appreciate the 3.6 liters of superior motivation. And, because torque is what matters most in day-to-day driving, you'll feel its exceptionally wide torque band every time you press the accelerator. Yet, despite its brawn, this sophisticated power plant is remarkably efficient¹ and requires only regular fuel, making it as responsible as it is exhilarating.



SRX / Crystal Red Tintcoat

*GIVE IT AN OPPORTUNITY TO
DEMONSTRATE ITS POWER, AND
IT DOESN'T HESITATE.*



SRX | HIGHLIGHTS | EXTERIOR | INTERIOR | CUE | SAFETY TECHNOLOGY | **POWERTRAIN** | COLLECTIONS | COLOR | WHEELS & SPECS

1. EPA-est. mpg 17 city / 24 highway FWD, 16 city / 23 highway AWD.



SRX PREMIUM COLLECTION / Light Titanium with Ebony Accents

COLLECTIONS





VENTILATED FRONT SEATS

Along with soothing heat, the front seats are also ventilated with refreshing air that gently circulates throughout the leather seating surfaces. It's a welcome rejuvenation on hot days and during extended journeys.

THE PREMIUM COLLECTION:

FINELY TAILORED LUXURY, BY ANY MEASURE.



TRI-ZONE CLIMATE CONTROL

Because everyone has their own personal idea of comfort, the SRX offers three distinct climate zones. The driver, front passenger, and rear passengers enjoy their own climate controls (rear automatic climate controls shown). The system also senses humidity in the air and automatically adjusts to provide optimal air quality.



NEW 20" WHEELS

The perfect complement to the dramatically styled SRX, three new 20" wheels are available. Each features a bold new design, including the polished finish wheel (shown).

The exceptional comfort of the SRX is elevated to an even higher level with the available Premium Collection. Front seats with leather seating surfaces are soft to the touch, as well as heated and ventilated for year-round comfort. We've also given considerable thought to your passengers and provided heated outboard seats along with the convenience of separate rear climate controls. This Collection also includes the advanced safety technology of Forward Collision Alert, Lane Departure Warning and the patented Safety Alert Seat. The SRX Premium Collection delivers a harmonious blend of luxury and technology.



ADAPTIVE FORWARD LIGHTING

With Adaptive Forward Lighting, sensors read your speed and steering angle, swiveling the High-Intensity Discharge (HID) headlamps up to 15 degrees to improve illumination, especially around corners. Also aiding visibility are fog lamps and headlamp washers.

PERFORMANCE COLLECTION:

DESIGNED TO EXCEED

YOUR EXPECTATIONS AT EVERY TURN.



CUE WITH NAVIGATION

It's your on-the-road control center. CUE with navigation¹ features voice guidance, 3-D GPS with integrated weather² maps, and more.



DYNAMIC 20" WHEELS

Make a standout vehicle stand out even more with your choice of three available 20" wheels. Each features a stunning new design that accentuates the sophisticated style of the SRX (bright chrome finish wheel shown).

Choose the available Performance Collection to add a decidedly sporty edge to the SRX's stunning looks. At its heart is performance-oriented ZF Servotronic[®] 2 speed-sensitive steering, calibrated for a crisp, responsive feel. When bringing the vehicle around tight curves and corners, this electric steering system responds almost telepathically to each turn of the wheel. Along with 20" wheels, a precisely tuned suspension system and a potent 308 HP direct-injection V6 engine, the SRX Performance Collection delivers an extraordinary balance of ride quality and confident handling.

1. Map coverage available in the United States, U.S. Virgin Islands, Puerto Rico and Canada. 2. Requires active SiriusXM subscription.



ULTRAVIEW SUNROOF

The UltraView sunroof is a perfect example of the thoughtful design featured throughout the SRX. With its large glass area that spans both front and rear seats, it gives the vehicle an even more spacious feel. When the sun gets more intense, a convenient power sunshade blocks the light and keeps things cool.

E LUXURY COLLECTION:

*FOR THOSE WHO
SETTLE FOR MORE.*



THE ART OF DETAIL

The striking cabin is complemented by impeccably detailed materials like Choco Sapele (shown above) or darker Raven Sapele wood trim carefully placed throughout. These lustrous woods further enhance the inviting interior.



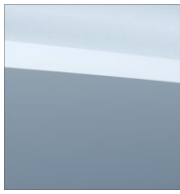
POWER LIFTGATE

In addition to convenient power operation, it also features programmable memory height that can be set for easy reach or to clear overhead obstacles (optional wheels shown).

The allure of the available Luxury Collection begins the moment you approach. Recognizing the key fob in your pocket or purse, the keyless access automatically unlocks the vehicle's doors and liftgate for you. Adaptive Remote Start does more than just conveniently turn on your ignition from up to 200 feet away; it also activates interior climate controls so the cabin is at the perfect temperature. Once inside, you're greeted with soft leather seating surfaces and Sapele wood trim. For someone else fortunate enough to share in the driving of the SRX, a memory function can recall settings for two drivers. Technology like a rearview backup camera helps safely guide you when the vehicle is in reverse, while Rainsense windshield wipers automatically vary wiper speed depending on rainfall. With the SRX Luxury Collection, it's readily apparent that technology definitely comes with a sophisticated side.



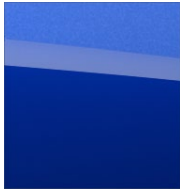
*RADIANT SILVER
METALLIC*



*GLACIER BLUE
METALLIC*



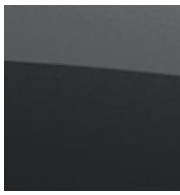
*PLATINUM ICE
TRICOAT¹*



*XENON BLUE
METALLIC*



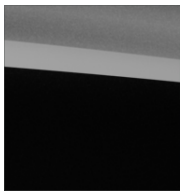
*SILVER COAST
METALLIC*



*GRAY FLANNEL
METALLIC*



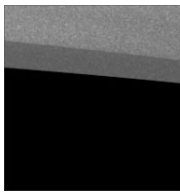
*CRYSTAL RED
TINTCOAT¹*



BLACK RAVEN



*EVOLUTION GREEN
METALLIC*



*BLACK ICE
METALLIC*



1. Available at extra cost.

PERSONALIZE YOUR **SRX EXTERIOR**

[BUILD YOUR OWN >>](#)

[LOCATE A DEALER >>](#)



PAINT FINISHES

TINTCOAT

A premium 2-layer paint application with the addition of a tinted clearcoat, lending the finish an extra depth and brightness.

TRICOAT

A meticulous 3-layer process that results in a dramatic hue-shifting color.

Ebony¹ with Ebony Accents



Shale² with Ebony Accents



SRX INTERIOR CHOICES

BUILD YOUR OWN >>

LOCATE A DEALER >>

Light Titanium² with Ebony Accents



Shale² with Brownstone Accents



**20" 7-SPOKE ALUMINUM WHEELS
WITH BRIGHT MACHINED-FINISH AND
PREMIUM PAINTED ACCENTS¹**

Standard on SRX Performance and Premium
Collections and includes P235/55R20 H-rated
all-season tires



SRX WHEEL CHOICES

BUILD YOUR OWN >>

LOCATE A DEALER >>



18" 7-SPOKE ALUMINUM WHEELS WITH PAINTED FINISH

Standard on SRX and includes P235/65R18 H-rated all-season tires



18" 7-SPOKE ALUMINUM WHEELS WITH BRIGHT MACHINED FINISH

Standard on SRX Luxury Collection and includes P235/65R18 H-rated all-season tires



20" 6-SPOKE ALUMINUM WHEELS WITH BRIGHT CHROME FINISH¹

Available on SRX Performance and Premium Collections and includes P235/55R20 H-rated all-season tires



20" 7-SPOKE ALUMINUM WHEELS WITH POLISHED FINISH¹

Available on SRX Performance and Premium Collections and includes P235/55R20 H-rated all-season tires

THE STANDARD OF THE WORLD AT YOUR FINGERTIPS

We set out to create our own uniquely American breed of extraordinary. Each built with tenacity, a refusal to leave well enough alone. From dramatic designs to world-class performance, we're setting the standard. To stay current, we invite you to sign up for our monthly eNewsletter. You'll receive invitations to exclusive events, the latest product news and information and launch updates.

SIGN UP »





ABOUT THIS DIGITAL CATALOG

We have tried to make this catalog comprehensive and factual. We reserve the right, however, to make changes at any time, without notice, in prices, colors, materials, equipment, specifications, models and availability. Specifications, dimensions, measurements, ratings and other numbers in this catalog and other printed materials provided at the dealership or affixed to vehicles are approximates based upon design and engineering drawings and prototypes and laboratory tests. Your vehicle may differ due to variations in manufacture and equipment. Since some information may have been updated since the time of printing (09/12), please check with your Cadillac dealer for complete details. Any variations in colors shown are due to reproduction variation in the printing process. Cadillac reserves the right to lengthen or shorten the model year for any product for any reason, or start and end model years at different times. Note: Some photographs in this catalog show vehicles with optional equipment.

ONSTAR OnStar services require vehicle electrical system (including battery), wireless service and GPS satellite signals to be available and operating for features to function properly. OnStar acts as a link to existing emergency service providers. Subscription Service Agreement required. Call

1-888-4ONSTAR (466-7827) or visit onstar.com for OnStar's Terms and Conditions, Privacy Policy and details and system limitations.

ENGINES Cadillac products are equipped with engines produced by GM Powertrain or suppliers to GM worldwide. The engines in Cadillac products may also be used in other GM makes or models.

TIRE SEALANT AND COMPRESSOR KIT

After using the inflator kit, it is recommended to take the tire to an authorized dealer for inspection and repair as soon as possible but at least within 100 miles of driving. The tire sealant cannot seal and inflate sidewall damage, punctures larger than 1/4 inch, or a tire that has unseated from the wheel. The sealant can only be used on one tire one time before its expiration date.

ASSEMBLY Cadillac vehicles and their components are assembled or produced by different operating units of General Motors, its subsidiaries or suppliers to GM worldwide. We sometimes find it necessary to produce Cadillac vehicles with different or differently sourced components than originally scheduled. Since some options may be unavailable when your vehicle is assembled, we suggest that you verify that your vehicle includes the equipment you ordered or, if there are changes, that they are acceptable to you.

UPDATED SERVICE INFORMATION

Cadillac dealers receive useful service bulletins about Cadillac products. You may purchase them from Helm Incorporated by calling 1-800-551-4123 or by visiting www.helminc.com.

NEW-VEHICLE LIMITED WARRANTY

World-class coverage comes standard on every 2013 Cadillac. This warranty is for Cadillac vehicles registered in the U.S.A. See your Cadillac dealer for terms and conditions.

COVERED FOR 6 YEARS/70,000 MILES (WHICHEVER COMES FIRST)

Powertrain Limited Warranty with no deductible, Roadside Assistance Program,¹ Courtesy Transportation Program.¹

COVERED FOR 4 YEARS/50,000 MILES (WHICHEVER COMES FIRST)

Bumper-to-Bumper coverage; Tires – Defects in material and workmanship; Repairs made to correct any vehicle defect; Corrosion on body sheet metal panels.

RUST THROUGH PROTECTION Cadillac vehicles are designed and built to resist corrosion and rust-through corrosion. Any body sheet metal that rusts through (in the form of an actual hole in the sheet metal) is covered for six years unlimited mileage.

Cosmetic or surface corrosion, resulting from stone chips or scratches in the paint, for example, is not included in the Rust Through coverage. Application of additional rust-inhibiting materials is not required under the Rust Through coverage and none is recommended. See your Cadillac dealer for terms of this limited warranty.

FLEET ORDERS Some standard content may be deleted with fleet orders. See dealer for details.

1. Roadside Assistance Program and Courtesy Transportation Program are not a part of the New Vehicle Limited Warranty. A separate booklet entitled "Warranty and Owner Assistance Information" furnished with each new vehicle provides detailed warranty coverage information.

GM, the GM emblem, Cadillac, the Cadillac badge, OnStar, the OnStar emblem and the slogans, emblems, vehicle model names, vehicle body designs and other marks appearing in this catalog are the trademarks and/or service marks of General Motors, its subsidiaries, affiliates or licensors. iPod is a registered trademark of Apple, Inc.

©2012 General Motors. All rights reserved.