

2006 SUBARU
IMPREZA



Redefining performance in three dimensions. | Think. Feel. Drive.

THINK. About innovating. About uncompromised performance. About creating a car that is an extension of the driver. In engineering vehicles that go beyond the expected, we never stop thinking. To expand the outer limits of handling and adhesion. To capture the grit and elation of every rally championship. And to preserve what makes a Subaru, a Subaru.





Impreza WRX Limited Sedan shown with Desert Beige leather.

The Subaru Impreza It is exhilaration, intensified. It is the thrilling jolt of unadulterated performance. It's the traction advantage of Symmetrical All-Wheel Drive, the balance of the SUBARU BOXER engine, and the laser-sharp responses of a 4-wheel independent suspension tested and tuned in the heat of World Rally Championships. All enhanced for 2006 with a more aggressive skin and a newly refined interior. Ready for the inside line? Let your adrenaline surge.

2.5i



Impreza 2.5i | Sedan and Sport Wagon

Get spirited performance with a 173-horsepower boxer engine, along with sport-design front seats and new 16" alloy wheels.

Outback Sport



Impreza Outback Sport | Wagon

Impreza spirit infused with ruggedness. Get up to 61.6 cu. ft. of cargo space and a raised suspension for composure over rough roads.

WRX



Impreza WRX TR | Sedan

Pure WRX thrills, with 230 turbocharged horsepower, 17" alloys and new, more aggressive brakes.

Impreza WRX | Sedan and Sport Wagon

Add the convenience of automatic climate control, 6-disc in-dash CD changer and fog lights.

Impreza WRX Limited | Sedan and Sport Wagon

Enhanced with the luxury of heated front seats, a moonroof and leather-trimmed seating.

WRX STI

Impreza WRX STI | Sedan

Performance takes an unapologetic stand with 300 horsepower, 17" BBS® wheels, Brembo® brakes, Driver Controlled Center Differential (DCCD), HID headlights and a new roof-mounted rear spoiler.





Impreza 2.5i Sport Wagon shown in Crystal Gray Metallic.



F E E L .

Tach needle chases redline.

Throttle opens wide.

Pushed against the seatback, you grin.

Subaru Boxer Engine

Press the accelerator to get outstanding power, along with a healthy dose of innovation. At the heart of the Impreza is our legendary SUBARU BOXER engine, with pistons laid flat in horizontal opposition. Used in every Subaru, this design lowers the center of gravity, providing more precise handling while increasing durability and reducing vibration. Balance. Stability. Power. It's what makes a Subaru, a Subaru.

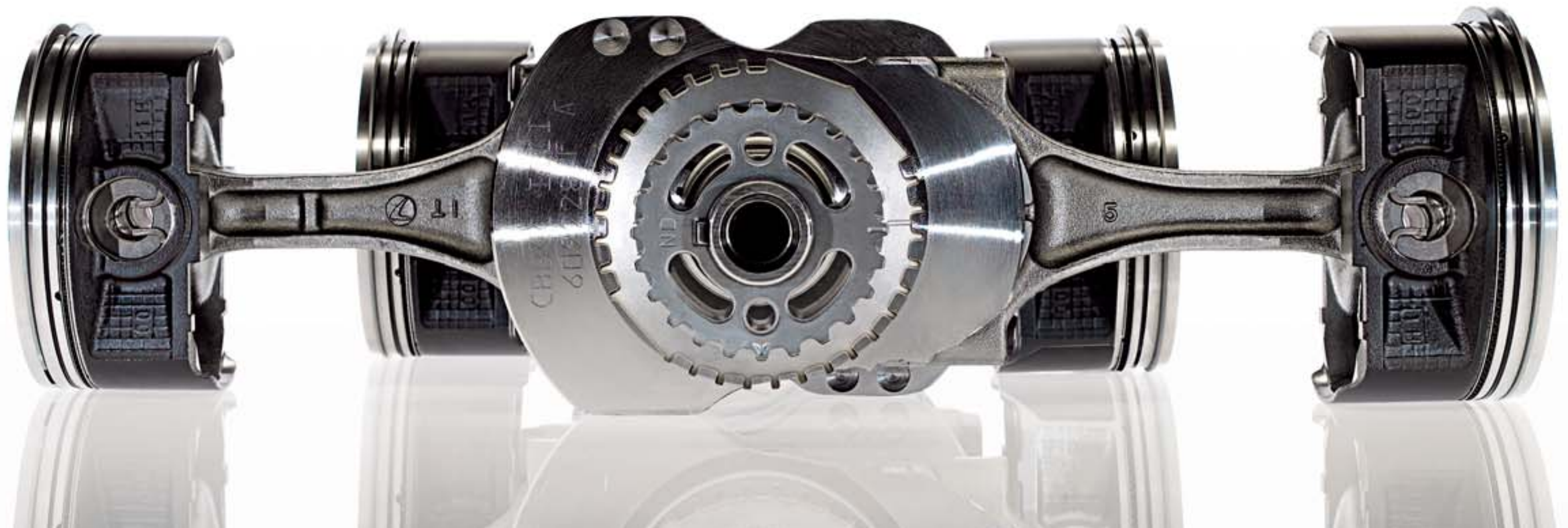
The roots of Subaru heritage lie in the aviation industry. It is this experience that allows us to recognize and optimize the inherent advantages of the horizontally opposed boxer engine configuration. With its compact profile, superior performance, inherent smoothness and trusted reliability, it is a design that Subaru has continually refined for almost 40 years. It remains the only engine configuration worthy of meeting our standards. And it provides an ideal platform for our never-ending quest to wring out greater levels of performance and excitement from every revolution.

Better balance The lower the center of gravity, the greater the stability, the better to keep the car along your intended path, especially when changing direction quickly. The SUBARU BOXER engine's lightweight, compact design lets the engine fit lower in the chassis, providing a lower center of gravity that greatly improves handling and safety. Body roll is reduced during cornering, stability is improved and control maintained.



SUBARU BOXER engine

Other engine type



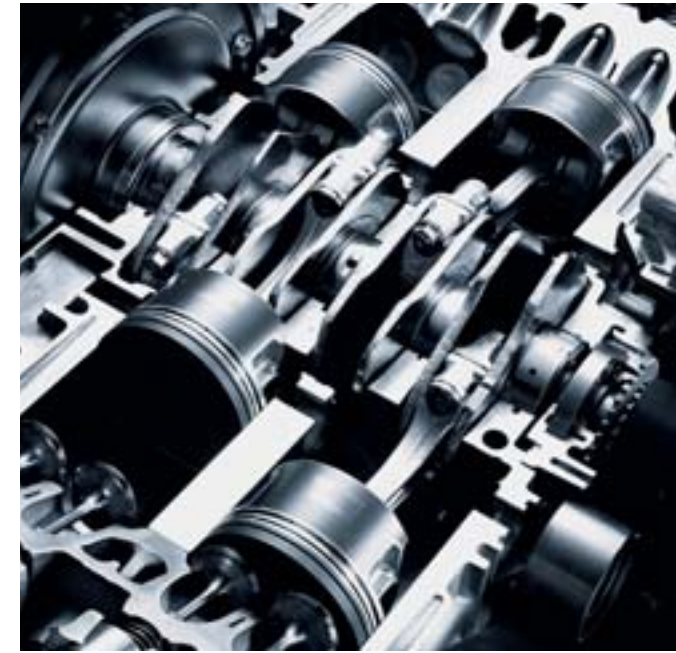
Subaru Boxer Engine | Transmission

Impreza engines are constructed of aluminum alloy for reduced weight that helps quicken acceleration and handling. Enhanced with i-Active Valve Lift System in the 2.5i and Outback Sport, and Active Valve Control System in the WRX and WRX STI, for increased horsepower and a broader torque curve creating a virtually seamless supply of power. And they use Electronic Throttle Control (ETC) for a more precise and immediate response to the nuances of your right foot. It all works together to deliver exceptional power, along with proven reliability and durability. The flight path has cleared—please fasten your seatbelt.



Manual transmission For those who prefer to row their own gears. Both the 5-speed of the 2.5i, Outback Sport and WRX, and the close-ratio 6-speed transmission of the WRX STI are fully synchronized to deliver smooth and precise shifts. The WRX STI unit is strengthened by a double-cone synchro in first and a triple-cone synchro in second.

Automatic transmission The electronic direct-control 4-speed automatic unit provides seamless shifts under a variety of driving conditions. The convenience of the automatic transmission is optional on most Impreza models.



2.5i and Outback Sport The aluminum-alloy 2.5-liter 4-cylinder engine utilizes a new computer-controlled i-Active Valve Lift System that increases horsepower to 173, and delivers a broader torque curve for seamless power. And it gets up to 22/29 mpg in city/highway driving.¹

WRX With a hood scoop to aid air intake to the intercooler, the new turbo-charged 2.5-liter engine of the WRX delivers 230 potent horsepower. Peak torque of 235 lb-ft is reached at a low 3,600 rpm, thanks to the Active Valve Control System increasing overall breathability for more power throughout the rev range.

Less vibration The 180-degree boxer engine layout allows the pistons to move in exact horizontal opposition, effectively negating the vibrations of the opposing pistons. Its smoothness not only sweetens power delivery, it helps increase longevity as well.



¹ With 5-speed manual transmission.





DRIVE.

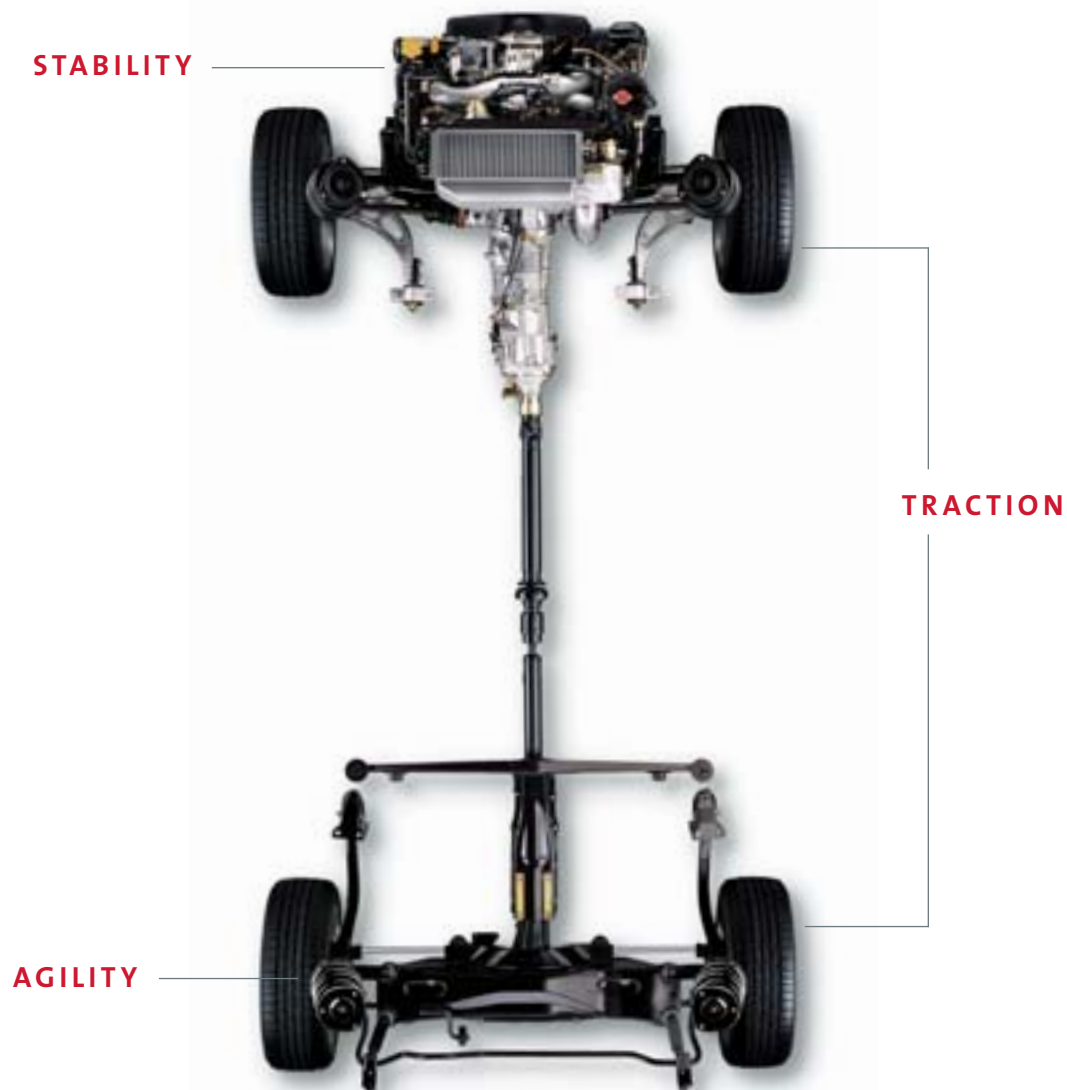




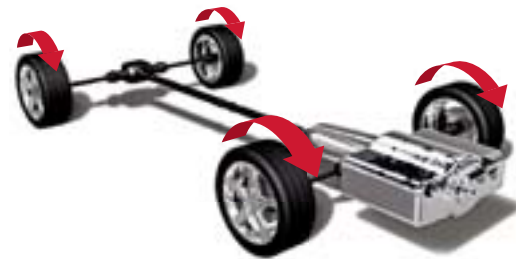
Impreza WRX Limited Sport Wagon shown in Crystal Gray Metallic.

Symmetrical All-Wheel Drive

All-wheel drive isn't unique. But Symmetrical All-Wheel Drive is. Its ideal balance ensures stability and poise. And its efficiency at transmitting power ensures greater grip and quick response to slippage. Providing more than just safety on slick roads, it delivers intensified performance on any road. All-wheel drive is not just our heritage, it is our passion.



More than three decades since Subaru adapted all-wheel drive (AWD) into the lineup, we continue to set the standard with our trademark Symmetrical AWD. With its balanced layout, power flows directly from the engine to all four wheels for more immediate acceleration and efficient response to any slippage. Should the road surface suddenly change, the AWD system instantly redirects power from the wheels that slip and delivers it to those with greater grip. AWD also helps you maintain better overall control of your Impreza with greater composure turning in to and accelerating away from the apex. More stability. Enhanced safety. Maximum adhesion. A pure rush.

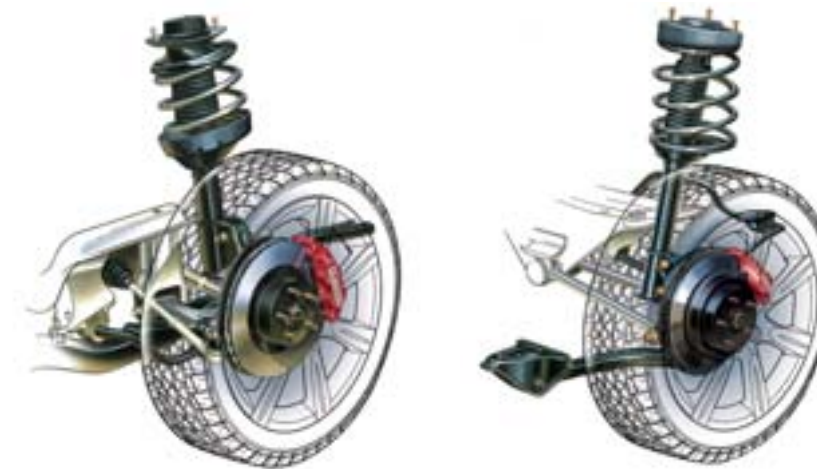


Continuous AWD In models with the 5-speed manual transmission, power is normally split 50/50 between the front and rear wheels. Should wheel slippage occur, the viscous-center locking differential automatically helps transfer power away from the wheels experiencing slip to the wheels with the most traction.

Active AWD Paired with the available 4-speed automatic transmission, the Active AWD system features an electronically managed continuously variable multiplate transfer clutch. This system monitors parameters such as wheel slippage and vehicle speed, actively seeking to adjust power to the front or rear wheels with the most traction.

VTD AWD The Variable Torque Distribution (VTD) system of the WRX Limited with the 4-speed automatic transmission normally splits power 45% front and 55% rear to deliver a sporty feel. With a planetary-type center differential, VTD electronically apportions torque for maximum grip. It also features a viscous-type limited-slip rear differential.

The thrill of driving is not defined by mere horsepower. It's in piloting a car that feels like a telepathic expression of the driver's will. One that exhibits quick reflexes and unfazed predictability through S-curves, hairpins, switchbacks. That's why every chassis component of the Impreza, with its precise rack-and-pinion steering, rally-inspired rigid and lightweight body structure, 4-wheel disc brakes and independent suspension, is engineered to perform like it's hard-wired to your cortex.



Suspension Years of insight gained from intense World Rally Championships coupled with the rigors of real-world driving went into the development of the sport-tuned 4-wheel independent suspension. The result is responsiveness and communicative nature of a precision-tuned vehicle. Impeccable road manners, with more than enough verve to take on the curves.

Body strength The Impreza is built on an extremely rigid platform, which not only aids its considerable handling abilities, but also provides a solid, smooth, quiet ride.



It is pure in its intent, genuine in its ambition. The WRX STI exists for one purpose only—to be the ultimate performance machine. With unwaveringly bold technology to increase speed, agility and strength, the WRX STI takes the intensity of ultra high-performance rally driving and replicates it for on-road use. No apologies. No compromises.



Every piece of engineering is dedicated to enhancing the performance potential of the WRX STI. Consider its 2.5-liter boxer engine. With an intercooled, high-boost turbocharger pushing 14.5 psi of maximum boost, the flat-four charges with a monstrous 300 horsepower and 300 lb-ft of torque. Then add our most performance-driven Symmetrical AWD system, the Driver Controlled Center Differential (DCCD), that puts you at the helm of traction. Ride it on a race-tuned 4-wheel independent suspension with inverted struts and lightweight 17-inch BBS wheels halted by mighty Brembo ventilated disc brakes. Extreme? Unrelentingly.

Features exclusive to STI

- STI-design bodywork
- 17-inch BBS® alloy wheels
- Brembo® brakes
- Super Sport ABS
- HID headlamps with DRLs

- STI exhaust system
- Driver Controlled Center Differential (DCCD) All-Wheel Drive
- Helical-type front and mechanical rear limited-slip differentials

- Intercooler water-spray control
- STI-design front seats with Blue Alcantara® upholstery



DCCD You can manipulate the front/rear torque split up to 59% rear to create specific dynamics or match driving conditions. Or put the AWD in automatic mode for automatic adjustment of the center diff.

World Rally Championships A full-out, brutal slog through some of the most punishing environments in the world. It's a harsh test of the driver's mettle, and the capability and endurance of the vehicle. In the 16 years since Subaru first entered the WRC, it has remained a dominant force in the series, boasting numerous championships. The knowledge, analysis and passion derived from these experiences go into the development of every Subaru. Racing is in our blood. Winning is part of our DNA.





Impreza Outback Sport Wagon shown in Evergreen Metallic/Steel Gray Metallic.

Interior | Versatility

Step inside the Impreza to find an environment designed to provide comfort and support so that the driver can concentrate on the curves of the road. The meaty 3-spoke steering wheel rests ideally in your grip. The race-inspired front seats hold you in during high-speed cornering with their substantial bolsters and side supports. The tachometer is positioned dead center so you can upshift at the ideal moment with just a glance at the gauges.¹ And all secondary controls are logically arranged and within easy reach, so that your focus can remain on finding the line, not finding the dial.



Comfort Inside the Impreza is a world built to enhance the drive. Choose the standard premium cloth upholstery or the available luxury of leather, and let the sunshine and air in with the optional moonroof. Let the tunes flow with an available in-dash 6-disc changer. Set your ideal temperature on the available automatic climate control and get back to the business of driving.



Flexible space The cargo areas of the Impreza and Outback Sport Wagons offer up to 23.8 cu. ft. of space when both rear seats are in use. Lower one of the 60/40-split seatbacks for seating and cargo capability, or lower both to make full use of the 61.6 cu. ft. of storage space. You can also recline the front-passenger seat flat for even greater versatility.²



¹ WRX and WRX STI models only.

² When occupied, the front passenger seatback should never be in a reclined position while the vehicle is in motion.



Impreza 2.5i Sport Wagon shown with Anthracite Black cloth and optional automatic transmission.



Impreza 2.5i Sedan shown in Steel Gray Metallic.

Accident Avoidance The least dangerous accident is the one that never happens. With this in mind, we've enhanced the Impreza with numerous technologies to help keep you out of harm's way, like 4-wheel antilock disc brakes (ABS) with Electronic Brake-force Distribution (EBD) to increase stopping power. And of course, our trademark Symmetrical AWD and lower center of gravity work in concert with the four-wheel independent suspension and rigid chassis for nimbleness and agility to help avoid danger. At Subaru, every innovation is designed with your safety in mind.



Control Standard full-time AWD automatically adjusts power to all four wheels, helping to maintain greater traction, no matter what the road surface or the weather has in store. Unlike 2-wheel-drive vehicles, which may be prone to understeer or oversteer, AWD helps you maintain better control of your Impreza.

Electronic Brake-force Distribution Working in conjunction with the 4-wheel Antilock Braking System, EBD maximizes stopping power by optimally apportioning braking force front to rear under heavy braking.

Impact Protection We never rest in our enduring effort to devise better ways to protect passengers. In Impreza, the results are features like front seatbelts with pretensioners and force limiters, crumple zones, side-impact beams and a Ring-Shaped Reinforcement Frame around the cabin to help better absorb the impact of a crash. And a full array of air bags offers protection for the front and sides.¹



Front-seat side-impact air bags Designed to help protect both your head and torso, these airbags help provide the best protection no matter what the seat position is. In addition, the Impreza has received the highest frontal crash-test scores in Insurance Institute for Highway Safety (IIHS) testing.²



Active head restraints In the event of a rear-end collision, the active front-seat head restraints provide another layer of protection by automatically moving forward to cradle your head to help minimize the possibility of whiplash.³

¹ Always wear seatbelts. Children should be properly restrained in the rear seat. ² For more information, contact the Insurance Institute for Highway Safety or visit their website at www.iihs.org.
³ 2.5i, Outback Sport and WRX TR models only.

Accessories

Outfit your Subaru to be as unique as your adventures. Backed by a 3-year/36,000-mile limited warranty,¹ Genuine Subaru Accessories personalize your Impreza to fit your definition of style and functionality.



Autodimming Mirror with Compass/HomeLink[®] Mirror darkens when headlights are detected from the rear of the vehicle. Includes electronic compass and three integrated HomeLink buttons.



Subwoofer/Amplifier Mounted under driver's seat. Adds 120 watts of power, and delivers deep, rich bass sound you not only hear but feel.

¹ Accessories backed by 3-year/36,000-mile New Car Limited Warranty when installed at time of vehicle purchase. For complete warranty details, see your Subaru dealer or log on to www.subaru.com

Available Accessories

- 17" BBS[®] Forged Alloy Wheels
- Shift Knobs
- Rear Differential Protector
- STI Short-throw Shifters
- Hood Protector
- Bike Carriers
- Ski Attachment (6 pair)
- Roof Cargo Baskets
- Roof Cargo Carriers
- Crossbar Kits
- Rear Spoilers
- Rear Window Dust Deflector
- Bumper Cover
- Moonroof Air Deflector
- Cargo Nets
- Fog Lights
- Turbo Boost Gauge
- Upgraded Speakers
- 6-disc In-dash CD Changer
- Security System Shock Sensor
- Splash Guards
- All-weather Floor Mats
- Trailer Hitch
- SPT[®] Performance Exhaust System
- Wheel Locks

For a complete list of available accessories, log on to www.subaru.com



Kayak Carrier Cradles and helps protect most kayak types. Carrier includes straps with padded buckles.

Ownership

Enjoying your Subaru for years to come—that's the promise of our comprehensive warranties and roadside assistance program. It's a fact attested by the nearly 97% of Subaru vehicles sold in the past 10 years that are still on the road today.¹ It's the confidence you feel when you get behind the wheel.

New Car Limited Warranty 3 years or 36,000 miles, whichever comes first.

Wear Item Limited Warranty 3 years or 36,000 miles, whichever comes first.

Powertrain Limited Warranty 5 years or 60,000 miles, whichever comes first.

Rust Perforation Limited Warranty 5 years, unlimited mileage.

The Subaru Roadside Assistance Program covers all 2006 Subaru vehicles during the first 3 years or 36,000 miles, whichever comes first. By calling the toll-free number in the Owner's Information Kit, Subaru owners can take advantage of any of the following benefits:

- 24-hour Roadside Assistance, seven days a week, 365 days a year, throughout the United States.
- Emergency Towing Service to the nearest authorized Subaru dealer.
- Emergency Roadside Assistance for jump starts, gasoline (up to two gallons), flat tire change, emergency lockout service (lost key or key is locked in the vehicle) and emergency fluid replacement.

Subaru Added Security[®] could be the most important option you choose. Protect your investment with a Subaru Added Security extended service contract—the **only** one backed by Subaru of America, Inc. Ask your salesperson for coverage details and assistance in selecting the plan that's best for you, up to 7 years or 100,000 miles.

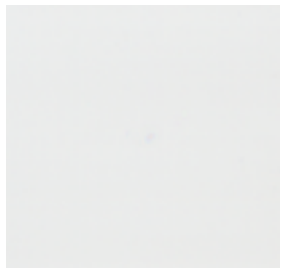


Stop by subaru.com to begin your Subaru experience. Here, you can find extensive information including specs, photos and reviews. Build your own Subaru, locate dealers and schedule a test drive. After your purchase, join my.subaru.com, where Subaru owners can access their vehicle's service and warranty history, schedule appointments and much more.

subaru.com

Colors

Paint



Aspen White



Crystal Gray Metallic



San Remo Red



Anthracite Black Cloth



Desert Beige Tricot



Obsidian Black Pearl



Regal Blue Pearl



Steel Gray Metallic



Graphite Gray Tricot



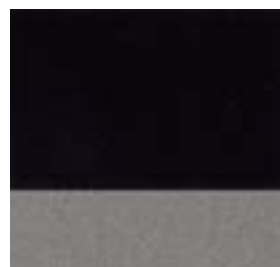
Blue Alcantara®



WR Blue Pearl



Evergreen Metallic/
Steel Gray Metallic



Obsidian Black Pearl/
Steel Gray Metallic



Anthracite Black Leather



Desert Beige Leather



Regal Blue Pearl/
Steel Gray Metallic



San Remo Red/
Steel Gray Metallic



Steel Gray Metallic/
Crystal Gray Metallic

Upholstery

IMPREZA

Color Combinations

PAINT	UPHOLSTERY	2.5i SEDAN AND SPORT WAGON	WRX TR SEDAN	WRX SEDAN AND SPORT WAGON	WRX LIMITED SEDAN AND SPORT WAGON	WRX STI SEDAN	OUTBACK SPORT AND OUTBACK SPORT SPECIAL EDITION WAGONS	
		Anthracite Black Cloth	Anthracite Black Cloth	Anthracite Black Cloth	Anthracite Black Leather	Desert Beige Leather	Blue Alcantara	Desert Beige Tricot
Aspen White		●	●	●	●	●	-	-
Crystal Gray Metallic		●	●	●	●	●	-	-
San Remo Red		●	●	●	●	●	-	-
Obsidian Black Pearl		●	●	●	●	●	-	-
Regal Blue Pearl		●	-	-	-	-	-	-
Steel Gray Metallic		●	●	●	●	●	-	-
WR Blue Pearl		-	●	●	●	●	-	-
Evergreen Metallic/Steel Gray Metallic		-	-	-	-	-	●	-
Obsidian Black Pearl/Steel Gray Metallic		-	-	-	-	-	●	-
Regal Blue Pearl/Steel Gray Metallic		-	-	-	-	-	-	●
San Remo Red/Steel Gray Metallic		-	-	-	-	-	●	-
Steel Gray Metallic/Crystal Gray Metallic		-	-	-	-	-	-	●

● Available - Not available

ENGINE AND DRIVETRAIN	IMPREZA 2.5i SEDAN AND SPORT WAGON	OUTBACK SPORT WAGONS	IMPREZA WRX TR SEDAN	IMPREZA WRX AND WRX LIMITED SEDAN AND SPORT WAGON	IMPREZA WRX STI SEDAN
Engine	2.5-liter SOHC aluminum-alloy 16-valve horizontally opposed SUBARU BOXER engine with i-Active Valve Lift System. Platinum-tipped spark plugs.		2.5-liter DOHC intercooled, turbocharged aluminum-alloy 16-valve 4-cylinder horizontally opposed SUBARU BOXER engine with Active Valve Control System. Iridium-tipped spark plugs.		2.5-liter DOHC intercooled, turbocharged aluminum-alloy 16-valve 4-cylinder horizontally opposed SUBARU BOXER engine with Active Valve Control System. Iridium spark plugs.
Power	173 hp @ 6,000 rpm		230 hp @ 5,600 rpm		300 hp @ 6,000 rpm
Torque	166 lb-ft @ 4,400 rpm		235 lb-ft @ 3,600 rpm		300 lb-ft @ 4,000 rpm
Compression ratio	10.0:1		8.4:1		8.2:1
Bore and stroke	99.5 x 79.0 mm				
Intake system	Aluminum-alloy intake manifold		Aluminum-alloy intake manifold. Turbo-charger with intercooler. Maximum boost pressure: 11.6 psi.		Aluminum-alloy intake manifold. High-boost turbocharger with large-capacity intercooler. Driver-controlled intercooler water-spray. Maximum boost pressure: 14.5 psi.
Fuel and ignition system	Sequential multiport fuel injection. Electronic Throttle Control (ETC). Engine management with integrated self-diagnostics and adaptive driving habits capability. Distributorless electronic ignition – 2.5i and Outback Sport models. Direct ignition – WRX and WRX STI models.				
Manual transmission	Standard fully synchronized 5-speed manual		Standard fully synchronized 5-speed manual		Standard fully synchronized close-ratio 6-speed manual
Automatic transmission	Optional 4-speed electronic direct-control automatic		WRX Limited: Optional 4-speed electronically controlled automatic		Not available
Emissions	Certified Low Emission Vehicle (LEV2 LEV)		Certified Low Emission Vehicle (LEV2 LEV)		Certified Low Emission Vehicle (LEV1 LEV)

FUEL	IMPREZA 2.5i SEDAN AND SPORT WAGON	IMPREZA WRX TR SEDAN	IMPREZA WRX AND WRX LIMITED SEDAN AND SPORT WAGON	IMPREZA WRX STI SEDAN
Fuel economy (city/highway)	Manual: 22/29 mpg Automatic: 23/28 mpg	Manual: 20/26 mpg Automatic: 21/26 mpg		Manual: 18/24 mpg Automatic: N/A
Fuel requirement	Unleaded gasoline (87 octane)	Premium unleaded gasoline (91 octane) recommended		Premium unleaded gasoline (91 octane) recommended

SYMMETRICAL ALL-WHEEL DRIVE	IMPREZA 2.5i SEDAN AND SPORT WAGON	IMPREZA WRX TR SEDAN	IMPREZA WRX AND WRX LIMITED SEDAN AND SPORT WAGON	IMPREZA WRX STI SEDAN
Continuous All-Wheel Drive	2.5i, Outback Sport and WRX models equipped with 5-speed manual transmission utilize a viscous-type locking center differential with torque distribution normally configured at a 50/50-split front-to-rear. If wheel speed differs between front and rear axles, the system helps distribute power to the wheels with the most traction. WRX models feature a viscous-type limited-slip rear differential.			
Active All-Wheel Drive	2.5i and Outback Sport models equipped with 4-speed automatic transmission utilize an electronically controlled variable transfer clutch to distribute power to where traction is needed. Sensors monitor parameters such as wheel slippage, throttle position and braking to help determine torque distribution and direct it to the wheels with optimum traction.			
Variable Torque Distribution (VTD) All-Wheel Drive	WRX models, equipped with 4-speed automatic transmission utilize an electronically controlled variable transfer clutch in conjunction with a planetary-type center differential. Torque distribution is normally configured at a performance-oriented rear-wheel-biased 45/55 split front-to-rear. Sensors monitor parameters such as wheel slippage, throttle position and braking to help determine torque distribution and direct it to the wheels with optimum traction. WRX models feature a viscous-type limited-slip rear differential.			
Driver Controlled Center Differential (DCCD) All-Wheel Drive	Exclusive to the WRX STI, Driver Controlled Center Differential (DCCD) All-Wheel Drive, featuring both manual and automatic modes, uses an electronically managed multiplate transfer clutch and a mechanical limited-slip differential in conjunction with a planetary-gear-type center differential to control power distribution between the front and rear wheels. Normally, DCCD splits power 41% front and 59% rear. Sensors monitor parameters such as wheel slippage, steering angle, throttle position and braking to help determine torque distribution and direct it to the wheels with optimum traction. DCCD also features a helical-type limited-slip front differential and mechanical limited-slip rear differential.			

CHASSIS	IMPREZA 2.5i SEDAN AND SPORT WAGON	IMPREZA WRX TR SEDAN	IMPREZA WRX AND WRX LIMITED SEDAN AND SPORT WAGON	IMPREZA WRX STI SEDAN
Steering	Engine-speed-sensing variable power-assisted rack-and-pinion. Turns lock-to-lock: 2.5i Sedan, 2.5i Sport Wagon and Outback Sport: 3.0. WRX Sedans and Sport Wagons: 2.7. Turning circle: 35.4 ft. (2.5i Sport Wagon: 33.5 ft.).			Engine-speed-sensing quick-ratio variable power-assisted rack-and-pinion. Turns lock-to-lock: 2.6. Turning circle: 37.4 ft.
Suspension	2.5i and WRX: Sport-tuned 4-wheel independent suspension. Front: Strut-type with lower L-arm (aluminum alloy lower L-arm on WRX Sedans). Rear: Strut-type with parallel and lateral links (aluminum alloy front lateral link on WRX Sedans). Front and rear stabilizer bars. Outback Sport: 4-wheel independent heavy-duty raised suspension. Front: Strut-type with lower L-arm. Rear: Strut-type with parallel and lateral links. Front and rear stabilizer bars.			WRX STI: High-performance sport-tuned 4-wheel independent suspension. Front: Inverted-strut-type with aluminum-alloy lower L-arm. Rear: Inverted-strut-type with parallel and aluminum-alloy lateral links. Front and rear stabilizer bars.
Brakes	4-wheel disc, ventilated front. Dual-piston front and single-piston rear calipers.	4-wheel disc, ventilated front and rear. 4-piston front and dual-piston rear calipers.		Brembo® performance brake system. 4-wheel disc, ventilated front and rear. 4-piston front and dual-piston rear calipers.
Brake discs	4-channel, 4-sensor ABS with Electronic Brake-force Distribution (EBD)	4-channel, 4-sensor ABS with Electronic Brake-force Distribution (EBD)		4-channel, 4-sensor Super Sport ABS with Electronic Brake-force Distribution (EBD)
Brake discs	Front: 10.8 in. / Rear: 10.3 in.	Front: 11.5 in. / Rear: 11.3 in.		Front: 12.7 in. / Rear: 12.3 in.

WHEELS AND TIRES	IMPREZA 2.5i SEDAN AND SPORT WAGON	IMPREZA WRX TR SEDAN	IMPREZA WRX AND WRX LIMITED SEDAN AND SPORT WAGON	IMPREZA WRX STI SEDAN
Wheels	16 x 6.5-inch 5-spoke aluminum-alloy. Silver finish. (7-spoke on Outback Sport.)	17 x 7.0-inch 7-spoke aluminum-alloy. Silver finish.		17 x 8.0-inch 10-spoke BBS® lightweight aluminum-alloy. Silver or Gold finish.
Tires	205/55 R16 89V M+S all-season	215/45 R17 91W M+S all-season		225/45 R17 90W ultra high-performance ¹

EXTERIOR DIMENSIONS	SEDANS 2.5i		WRX		WRX STI		SPORT WAGONS 2.5i		WRX		OUTBACK SPORT	
Length	175.8 in.											
Width	68.5 in.						66.7 in.		66.7 in.		67.3 in.	
Height ²	56.7 in.		56.7 in.		56.3 in.		58.5 in.		58.5 in.		60.6 in.	
Wheelbase	99.4 in.		99.4 in.		100.0 in.		99.4 in.					
Track (front/rear)	58.5 in./58.1 in.		58.5 in./58.3 in.		58.7 in./58.9 in.		57.7 in./57.3 in. (Outback Sport: 57.5 in./57.3 in.)					
Curb weight (manual/automatic)	2.5i 3,016 lbs./ 3,067 lbs.	WRX TR 3,192 lbs./ N/A	WRX 3,192 lbs./ N/A	WRX LIMITED 3,239 lbs./ 3,296 lbs.	WRX STI 3,351 lbs./ N/A	2.5i 3,071 lbs./ 3,120 lbs.	WRX 3,252 lbs./ N/A	WRX LIMITED 3,294 lbs./ 3,347 lbs.	OUTBACK SPORT 3,067 lbs./ 3,120 lbs.	OUTBACK SPORT SPECIAL EDITION 3,067 lbs./ 3,120 lbs.		

INTERIOR DIMENSIONS	SEDANS	SPORT WAGONS
Headroom (front/rear)	38.6 in./36.7 in. (with moonroof: 36.3 in./36.6 in.)	39.7 in./37.3 in. (with moonroof: 37.2 in./37.3 in.)
Legroom (f/r) Shoulder room (f/r)	42.9 in./33.0 in. 52.7 in./52.9 in.	42.9 in./33.7 in. 52.7 in./52.9 in.
Cabin capacity	87.6 cu. ft.	90.4 cu. ft.
Cargo capacity	11.0 cu. ft.	23.8 cu. ft. (61.6 cu. ft. with rear seat lowered)

	2.5i SEDAN AND SPORT WAGON	WRX TR SEDAN	WRX SEDAN AND SPORT WAGON	WRX LIMITED SEDAN AND SPORT WAGON	WRX STI SEDAN	OUTBACK SPORT AND OUTBACK SPORT SPECIAL EDITION WAGONS
EXTERIOR						
Multireflector low-beam and high-beam halogen headlights	●	●	●	●	-	●
High Intensity Discharge (HID) low-beam and multireflector halogen high-beam headlights	-	-	-	-	●	-
Projector-beam halogen fog lights	-	-	●	●	-	●
Aluminum-alloy hood	●	-	-	-	-	●
Aluminum-alloy hood with functional hood scoop (feeds turbocharger intercooler)	-	●	●	●	●	-
Front bumper with lower air intake, integrated front spoiler and corner spoilers	●	●	●	●	●	●
Rear bumper with rear air diffuser	-	-	-	-	●	-
Body-color aerodynamic side ground effects	● ³	-	●	●	●	●
Rear spoiler	-	-	● ³	●	-	● ⁵
Trunk-mounted dual-plane and roof-mounted rear spoilers	-	-	-	-	●	-
Exhaust system with single chrome outlet	●	-	-	-	-	●
Sport-tuned exhaust system with single chrome outlet	-	●	●	●	-	-
STI high-performance-tuned exhaust system with single stainless-steel outlet	-	-	-	-	●	-
Body-color side mirrors	-	-	●	●	●	-
Body-color door handles	●	●	●	●	●	●
Heated side mirrors and windshield wipers de-icer	-	-	-	●	-	-
Two-speed windshield wipers with variable intermittent mode	●	●	●	●	●	●
Single-speed rear window wiper with fixed intermittent mode and de-icer	● ³	-	● ³	● ³	-	●
Black-finish raised roof rails	● ³	-	● ³	● ³	-	-
Black-finish raised roof rails with crossbars (100 lbs. capacity)	-	-	-	-	-	●
Power tilt/sliding-glass moonroof	-	-	-	●	-	-
SEATING AND TRIM						
6-way manually adjustable driver's seat. 4-way manually adjustable front-passenger seat.	●	●	●	●	●	●
Sport-design front seats with height-adjustable active head restraints	●	●	-	-	-	●
Performance-design front seats with fixed integrated head restraints	-	-	●	●	-	-
STI-design front seats with fixed integrated head restraints and embroidered STI logos	-	-	-	-	●	-
Dual-stage heated front seats	-	-	-	●	-	-
Rear-center armrest with trunk pass-through	● ⁴	●	● ⁴	● ⁴	-	-
60/40-split flat-folding rear seatback	● ³	-	● ³	● ³	-	●
3-spoke steering wheel with manually adjustable tilt column	●	-	-	-	-	-
Leather-wrapped 3-spoke steering wheel with manually adjustable tilt column	-	●	●	●	-	● ⁵
Leather-wrapped 3-spoke STI-design steering wheel with contrasting red stitching	-	-	-	-	●	-
Leather-wrapped shifter handle	●	●	●	●	-	● ⁵
Leather-wrapped parking-brake handle	-	-	●	●	-	-
Leather-wrapped shifter and parking-brake handle with contrasting red stitching	-	-	-	-	●	-
Dark gray metallic trim on dash and console	●	●	●	●	●	●
Aluminum-alloy pedal covers (manual transmission only)	-	-	●	●	●	-
Carpeted floor mats	●	●	●	●	●	●
CONVENIENCE FEATURES						
Power front and rear windows with driver's auto-down. Power mirrors.	●	●	●	●	●	●
Electronically controlled cruise control	●	●	●	●	●	●
Dual cupholders in center console	●	●	●	●	●	●
Dual retractable rear cupholders	●	-	●	●	●	●
Sun visors with concealed vanity mirrors	●	●	●	●	●	●
Autodimming rearview mirror with compass	-	-	-	-	-	● ⁵
In-dash storage compartment	●	●	-	-	-	● ⁶
Center console with armrest and enclosed storage compartment. Lockable and illuminated glove box.	●	●	●	●	●	●
Center console armrest extension	-	-	-	-	-	● ⁵
12-volt power outlet in cargo area	-	-	-	-	-	●
Cargo-area-concealed under-floor storage compartment. Grocery bag hook. 4 tiedown hooks.	● ³	-	● ³	● ³	-	●
Cargo-area-concealed under-floor storage tray	-	-	● ³	● ³	-	-
Retractable/removable cargo-area cover	● ³	-	● ³	● ³	-	●
Removable cargo-area tray	-	-	-	-	-	●

● Standard ○ Optional - Not available

INSTRUMENTATION

	2.5i SEDAN AND SPORT WAGON	WRX TR SEDAN	WRX SEDAN AND SPORT WAGON	WRX LIMITED SEDAN AND SPORT WAGON	WRX STI SEDAN	OUTBACK SPORT AND OUTBACK SPORT SPECIAL EDITION WAGONS
Analog speedometer, tachometer, coolant temperature and fuel gauges with illuminated red needles on black faces and white indicators	●	●	●	●	●	●
Sport-design instrumentation with silver gauge trim rings	-	-	-	-	-	●
Sport-design instrumentation with silver gauge trim rings and center-mounted tachometer	-	●	●	●	-	-
STI-design instrumentation with aluminum gauge trim rings, center-mounted tachometer, gauge needles full-sweep on start-up and adjustable tachometer red-line warning with audible indicator	-	-	-	-	●	-
Digital clock and odometer including dual-mode trip odometer	●	●	●	●	●	●
Digital ambient temperature gauge	●	●	●	●	●	●

AUDIO SYSTEMS

80-watt 4-speaker audio system with single-disc in-dash CD player	●	●	-	-	-	-
140-watt 6-speaker premium audio system with 6-disc in-dash CD changer	-	-	●	●	●	-
260-watt 6-speaker premium audio system with subwoofer and 6-disc in-dash CD changer	-	-	-	-	-	● ⁵

CLIMATE CONTROL

Manually adjustable CFC-free air conditioning system with air filtration system, rotary controls for temperature, 4-speed fan and airflow direction	●	●	-	-	-	●
Automatic climate control system with CFC-free air conditioning, air filtration system, rotary controls for temperature, 7-speed fan and airflow direction	-	-	●	●	●	-

SECURITY

Keyless entry system with answer-back electronic chirp	●	●	●	●	●	●
Antitheft security system with answer-back electronic chirp	●	●	●	●	●	●
Engine immobilizer	-	●	●	●	●	-

SAFETY

Dual driver and front-passenger front air bags (SRS) ⁷	●	●	●	●	●	●
Subaru advanced frontal air bag system with driver's seat position sensor and front-passenger seat occupant detection sensor (SRS) ⁷	●	●	●	●	●	●
Front-seat-mounted head/chest side-impact airbags (SRS) ⁷	●	●	●	●	●	●
Height-adjustable active front-seat head restraints	●	●	-	-	-	●
Three individual rear head restraints (height-adjustable on sport wagons)	●	●	●	●	●	●
Height-adjustable 3-point front seatbelts with pretensioners and force limiters. 3-point rear seatbelts at all seating positions.	●	●	●	●	●	●
Rear child-safety door locks	●	●	●	●	●	●
Safety brake pedal system	●	●	●	●	●	●
Energy-absorbing collapsible steering column	●	●	●	●	●	●
Ring-Shaped Reinforcement Frame body structure with hydroformed front subframe structure	●	●	●	●	●	●
Daytime Running Lights (DRL)	●	●	●	●	●	●

OPTIONAL EQUIPMENT

4-speed adaptive electronic direct-control automatic transmission	○	-	-	○	-	○
---	---	---	---	---	---	---

● Standard ○ Optional - Not available

¹ Ultra high-performance summer-rated tires are best suited for driving under dry conditions and are not recommended for driving on slippery, snow-covered or icy roads.

² Including roof rails on 2.5i and WRX Sport Wagons. Including roof rails and crossbars on Outback Sport Wagons.

³ Standard on sport wagon only.

⁴ Standard on sedan only.

⁵ Standard on Outback Sport Special Edition Wagon only.

⁶ Standard on Outback Sport Wagon only.

⁷ The Supplemental Restraint System (SRS) (air bags) affords the driver and front passenger additional protection in a moderate to severe frontal or (when equipped with front-seat side-impact air bags) a side-impact collision. This system provides supplemental protection only, and seatbelts must be worn in order to avoid injuries to out-of-position occupants upon bag deployment and to provide the best combined protection in a serious accident. Children should always be properly restrained in the rear seat.

Some images shown are for illustration purposes only. Specifications in this brochure are based on the latest product information available at the time of publication. For the most up-to-date product information, log on to www.subaru.com. Some equipment shown in photography in this brochure is optional at extra cost. Specific options may be available only in combination with other options. Specific combinations of equipment or features may vary from time to time and by geographic area. Certain accessories and equipment may not be available at the time of publication. Subaru of America, Inc., reserves the right to change or discontinue at any time, without notice, prices, colors, materials, equipment, accessories, specifications, models and packages without incurring any obligation to make the same or similar changes on vehicles previously sold. Colors shown may vary due to reproduction and printing processes. This brochure was prepared by Subaru of America, Inc. A warranty from Subaru of America, Inc., is available only on cars sold to the first retail purchaser through an authorized Subaru dealer in the continental U.S. or Alaska. Subaru, SUBARU BOXER, Impreza, WRX, STI, BBS, Brembo and SPT are registered trademarks. Alcantara is a registered trademark of Alcantara S.p.A. and Alcantara is produced by Toray Group. HomeLink is a registered trademark of Prince Corporation, a wholly owned subsidiary of Johnson Controls. Think. Feel. Drive is a trademark. For more information, contact your Subaru dealer or log on to www.subaru.com.