

# 1996 Dodge Cars

VIPER  
STEALTH  
NEON COUPE  
NEON SEDAN  
AVENGER  
STRATUS  
INTREPID  
CARAVAN  
GRAND CARAVAN



The New Dodge



# Contents

Introduction .....	2
Viper .....	4
Stealth .....	4
Neon .....	6
Avenger .....	8
Stratus .....	10
Intrepid.....	12
Caravan .....	14

## Attitude with a capital "A."

Attitude. It's the mark of a maverick. The sign of an independent thinker who has enough confidence to walk the edge without ever looking down.

Attitude is also the mark of courage and imagination. Courage to change the rules when the old rules no longer make sense. Imagination to think ahead. To develop new rules that make so much sense they quickly become the standard.

This kind of attitude and the innovation it inspires are an integral part of every car and truck Dodge puts on the road. It's an attitude you'll feel in the expressive styling, responsive performance and road-gripping handling of these 1996 Dodge cars:

**Dodge Viper RT/10:** the embodiment of the new Dodge attitude. Its uniquely American flavor, uncompromising design and awesome power have created a legend.

**Dodge Stealth:** a grand touring car with road-rocket performance.

**Dodge Neon:** cab-forward design, 16-valve engines and other features you'd never expect to find in a small car.

**Dodge Avenger:** the sport coupe that offers precise handling and uncommon roominess in a sleek, affordable package.

**Dodge Stratus:** a hot-handling sport sedan that feeds your desire to push it to the limit without overlooking your need for safety, comfort and reliability.

**Dodge Intrepid:** an exciting to drive sedan with roomy cab-forward architecture and the agile handling of a smaller car.

**Dodge Caravan:** all-new, just as original as the original minivan, with more room, more versatility and more performance than ever.



## Skip Barber Driving School is Dodge powered.

"Dodge is a world-class organization, and its terrific motors will now power every teaching vehicle we use."

—Skip Barber



The world's largest performance racing school features Dodge 2.0-liter, 16-valve SOHC engines exclusively in the formula Dodge cars that compete in the Skip

Barber Race Series. Dodge 3.5-liter, 24-valve SOHC V6 engines power the open-wheel formula cars in the Barber Dodge Pro Series. And Skip Barber Driving Schools exclusively feature Dodge Stratus, Neon, Stealth, Dakota and Viper models.

The school is the only one of its kind to offer instruction in front-wheel-drive, rear-wheel-drive and all-wheel-drive applications.

To enroll in a memorable one-or two-day course in defensive driving as well as performance driving techniques, call 1-203-435-1300.



## Dodge is committed to safety.

At Dodge, we believe that safety must be one of the most important considerations in designing any vehicle.

This commitment has made us one of the industry's safety leaders and is demonstrated in every 1996 Dodge car and minivan with passive safety features, such as steel side-guard door beams, to help protect against side-impact collisions, as well as active safety features, such as ABS, to help you avoid a collision.

We equip every car\* and every minivan we sell in America with a driver and front passenger air bag.† We helped pioneer this lifesaving technology and designed it with features such as the reliable gold tip connectors used in our air bag systems.

Because visibility also contributes to safety, we strive to create a "command-of-the-road" seating position in every vehicle — providing every driver the best 360-degree visibility possible.

Our concern with safety is evident in the advanced engineering that enables the 1996 Intrepid, Stratus and Caravan to meet the 1998 federal passenger car safety standards‡.

## Dodge is committed to quality.

The inherent quality in every Dodge car and minivan reflects our use of revolutionary, cross-functional platform teams ... advanced engineering ... highly qualified suppliers ... close-tolerance assembly techniques ... intensively trained assembly technicians ... and rigorous testing. From design through final assembly, all of us at Dodge are committed to building high-quality vehicles.

## Dodge is committed to value.

Shop around. Compare prices, standard equipment and model choices. Ask your Dodge salesperson about selected money-saving\* Customer-Preferred<sup>SM</sup> packages of popular options. We believe you'll find that the 1996 family of Dodge cars and minivans delivers the value you want now. And the resale value you want later.

\*Excludes Viper. †Always wear your seat belts. ‡Excludes sunscreen glass.

§ Based on value of items in package versus Manufacturer's Suggested Retail Price.

### Major Safety Features Available On Dodge Cars and Minivans:

▼ **Integrated Child Safety Seats** are available on Intrepid, Stratus, Neon and Caravan for use by children who are at least one-year old and weigh between 20 and 66 pounds.



■ **Four-wheel antilock braking systems (ABS)** are installed as either standard or optional equipment on every 1996 Dodge car and minivan (except Viper). ABS provides extra safety by preventing wheel lockup and allowing the driver to maintain steering control in emergency braking situations.

■ **Low-speed traction control** is available on Intrepid ES to limit wheel spinning under acceleration at speeds up to 25 miles an hour on slippery surfaces.

■ **All-wheel drive** is available on Stealth for superior traction and cornering capability, as well as improved all-weather maneuverability.

### Other Major Safety Features Standard On 1996 Dodge Cars and Minivans:

■ **Steel side-guard door beams** provide side-impact protection that helps absorb the force of an impact.

■ **Height-adjustable shoulder belts** are standard on 1996 Dodge cars and minivans (except Viper and Stealth) for the comfort of outboard front seat occupants and to ensure effective positioning of the belts.

■ **"Crumple zones"** front and rear help absorb the energy of a severe collision.

■ **Center high-mounted supplemental stoplight** helps alert other drivers when the vehicle is braking.

■ **Collapsible steering column** helps prevent injury to the driver in a collision.





■ Viper's functional cockpit

features premium leather-with-vinyl trim adjustable sport seats, tilt steering column, full analog instrumentation (180-mph speedometer, 7,000-rpm tach), six-speaker, 120-watt AM/FM stereo cassette sound system, Unibelt passive restraint system, new sliding panels on side curtain windows ... and more.



▲ The Stone White Viper sports a blue stripe running from bumper to bumper — reminiscent of the legendary Dodge Hemi-powered Cunningham racers — blue interior accents, and white five-spoke wheels.

## Viper RT/10

“... drop to second, pour open the throttle, and careen into the distance ...” — *AUTOMOBILE MAGAZINE*

Still a favorite of automotive enthusiasts the world over, the 1996 Dodge Viper RT/10 represents the embodiment of the new Dodge attitude. Its uniquely American flavor, uncompromising design and awesome power have created a legend.

The 1996 Viper RT/10 is available in three limited-edition trim packages—red, white and black—each with its own special accent colors. In addition to the standard folding soft top, all three 1996 Viper RT/10 roadster packages will feature an optional removable body-color hardtop.

Viper's horsepower rating has been upgraded to 415 at 4,600 rpm and the torque rating is now 488 lb-ft at 3,600 rpm.

Dodge Viper RT/10 for 1996 ... a new chapter in the Viper legend.



■ The new Michelin Pilot SX tires feature better cold and wet weather traction, in addition to being quieter. They're mounted on new forged aluminum five-spoke wheels.

▼ Several modifications have been made to the Viper's V10 engine. A new JTEC power train control module and upgraded onboard diagnostics have been added. The '96 Viper has a new low-restriction rear outlet exhaust, reducing back pressure and increasing horsepower and torque.



**POWER TRAIN**

Engine	Drivetrain
8.0-Liter (488 cu in) Aluminum V10 Electronic Multipoint Fuel Injection 415 Horsepower at 4,600 rpm 488 lb-ft of Torque at 3,600 rpm	Six-Speed Manual Overdrive Transmission 12.0" Hydraulic, Single Dry Disc Clutch Limited-Slip Differential

## Stealth

“... redefining the reasonably priced sports car.”

—*BUSINESS WEEK*

More than just a high-tech road rocket, Stealth is a sports car that's surprisingly comfortable, quiet, stable and so predictable that the input you give it will be returned precisely in the performance it delivers.

Stealth R/T Turbo delivers scorching performance from a 3.0-liter twin turbocharged, twin intercooled 24-valve dual overhead cam (DOHC) V6, a six-speed manual transaxle and full-time all-wheel drive. *Motor Trend* called it “an affordable Ferrari 348.”

If that's too much temptation, consider the 222-horsepower Stealth R/T or the 164-horsepower base Stealth.



▲ Stealth's driver-tuned cockpit features full analog instrumentation, leather-wrapped steering wheel and short-throw shift lever on the center console.

■ The roomiest interior in Stealth's class includes standard air conditioning and dual air bags.\* Power windows, power door locks and a leather interior, shown above in Black, are available on Stealth, Stealth R/T and Stealth R/T Turbo.

\* Always wear your seat belts.



▲ Stealth R/T Turbo shown in Firestorm Red with available chrome-plated 18-inch x 8.5-inch wheels.

**POWER TRAINS<sup>1,2</sup>**

Engine	Transaxle	Stealth <sup>3</sup>	Stealth R/T <sup>3</sup>	Stealth R/T Turbo <sup>3</sup>
3.0-Liter SOHC 12-Valve V6 MPI Horsepower: 164 @ 5,500 rpm Torque (lb-ft): 185 @ 4,000 rpm Bore and Stroke: 3.59" x 2.99" Compression Ratio: 8.9:1	5-Speed Manual Overdrive	S	NA	NA
	4-Speed Automatic Overdrive	O	NA	NA
3.0-Liter DOHC 24-Valve V6 MPI <sup>4</sup> Horsepower: 222 @ 6,000 rpm Torque (lb-ft): 205 @ 4,500 rpm Bore and Stroke: 3.59" x 2.99" Compression Ratio: 10.0:1	5-Speed Manual Overdrive	NA	S	NA
	4-Speed Automatic Overdrive	NA	O	NA
3.0-Liter Turbo 24-Valve V6 MPI <sup>4</sup> Horsepower: 320 @ 6,000 rpm Torque (lb-ft): 315 @ 2,500 rpm Bore and Stroke: 3.59" x 2.99" Compression Ratio: 8.0:1	High-Capacity 6-Speed Manual Overdrive	NA	NA	S

S = Standard, O = Optional, NA = Not available.  
<sup>1</sup> Emissions controls and testing required at extra cost on all vehicles registered in and bordering California, New York or Massachusetts. Not available otherwise. <sup>2</sup> Built by Mitsubishi Motors Corporation. Imported for Dodge. <sup>3</sup> This vehicle is not recommended for trailer towing and such use may invalidate limited warranty. See your dealer for details. <sup>4</sup> Premium unleaded fuel is recommended.



EXPRESSO



■ **Neon Highline's new "Espresso" Package** includes a rear spoiler, power bulge hood, 14-inch white Bubble wheel covers, Flash Decor interior trim, front storage armrest console, air conditioning, 8,000 rpm tachometer, rear window defroster, and "Espresso" graphics.

■ **Cab-forward architecture** pushes Neon's wheels toward its corners for maximum room and stable handling. Neon has one of the longest wheelbases (104 inches) and widest tracks (54.7 inches) in its class.

■ **Neon's standard five-speed manual transaxle** offers added performance and control with smooth, positive shifting and short throws. An automatic transaxle is also available.

► **Nearly 90 cubic feet of passenger volume** in Neon Sedan translates into comfortable seating for five adults. Front bucket seats are a true comfort no matter how long the haul. And with the ingenious, available 60/40 split-folding rear seatback,\* you'll always have the room to squeeze in a little more fun.

\*Not available with Integrated Child Safety Seat.

► **Neon's wraparound instrument panel** has been designed with uncluttered simplicity, easy-to-read analog gauges and user-friendly switches and controls.

## Neon

"No other car offers so much performance for so little money."  
—AUTOMOBILE MAGAZINE

Hi. Meet Dodge Neon — a cute, lovable, front-wheel-drive sub-compact loaded with features you'd never expect in a small car.

Neon has the best-in-class standard power of 16-valve engines, the only cab-forward design in a small car, sports-car-like handling and a high level of safety features. Plus absolutely amazing interior room and comfort in a choice of six two- or four-door models that

includes the new Neon Coupe — the ideal car for the cost-conscious buyer who still wants substance with two-door style.

When designing Dodge Neon, we set out to create a car with exceptional value that would also strike a harmonious balance between the strictest quality standards and environmental responsibility.

We did it.

People love it.

And we think you will, too.



▲ **Neon Coupe** is ideal for the cost-conscious buyer who still wants substance with two-door style. Dual air bags,\* 2.0-liter 132-horsepower engine, five-speed manual transaxle, front-wheel drive and tinted glass are just a few of the standard features.

■ **Neon Sport Coupe** captures Neon's playful spirit with an aggressive-looking power bulge hood, fog lights, quick 16:1 ratio power-assisted steering, tachometer, performance tires and a fully independent performance suspension.

■ **Panoramic visibility** results from Neon's cab-forward architecture, an expanded windshield, 12.3 square feet of total glass area, a low hoodline and narrow rear roof pillars.

■ **Neon's available four-wheel-disc antilock brakes** help prevent wheel lockup under hard braking conditions for greater stopping ability and improved steering control.

■ **Neon Sport's available 2.0-liter DOHC 16-valve 150-horsepower engine** has a recyclable aluminum intake manifold and offers maximum performance with impressive fuel efficiency. It's the same deep-breathing engine used in formula Dodge cars at the Skip Barber Racing School (see page 2).

\* Always wear your seat belts.



Neon Highline Sedan shown in Bright White with available Mopar roof rack.



### POWER TRAINS

Engine	Transaxle	Neon Coupe/ Sedan	Neon Highline Coupe/Sedan	Neon Sport Coupe/ Sedan
2.0-Liter SOHC 16-Valve 4-Cylinder <sup>†</sup> Horsepower: 132 @ 6,000 rpm Torque (lb-ft): 129 @ 5,900 rpm Bore and Stroke: 3.45" x 3.27" Compression Ratio: 9.6:1	5-Speed Manual	S	S	S
	3-Speed Automatic	O	O	O
	Performance 5-Speed Manual	NA/O*	NA	NA
2.0-Liter DOHC 16-Valve 4-Cylinder Horsepower: 150 peak @ 6,500 rpm Torque (lb-ft): 133 @ 5,500 rpm Bore and Stroke: 3.45" x 3.27" Compression Ratio: 9.6:1	Performance 5-Speed Manual	O/NA	NA	O
	3-Speed Automatic	NA	NA	O

S = Standard. O = Optional. NA = Not available.

<sup>†</sup>This 2.0-liter SOHC engine is also available converted to meet TLEV Emission Standards with 129 hp at 6,000 rpm and 127 pound-feet of torque at 4,800 rpm.

\* Available with the ACR Competition Package.





Avenger ES shown in Black.

## Avenger

“Avenger had to be many different things to many people. It is.”

— AUTOWEEK

Dodge Avenger is a front-drive, five-passenger sport coupe that defies its traditional classification by providing a unique blend of attributes usually considered mutually exclusive: style *and* comfort ... exceptional handling *and* remarkable interior room ... safety *and* balanced performance.

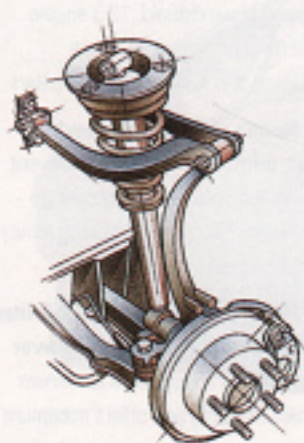
The sophisticated performance you want in such a grand touring car is delivered by Avenger's 2.0-liter, 16-valve four-

cylinder engine and Avenger ES' 2.5-liter, 24-valve V6.\*

Sport coupes have usually catered to the whims of front seat occupants while ignoring the comfort of those brave enough to ride in the rear. Avenger thoughtfully plans for the comfort of all five potential occupants by providing generous head, leg, and hip room in both the front and the rear.

Test-drive Avenger and discover an unexpectedly roomy sport coupe designed to deliver stable road response through the tightest of turns. Avenger carries five adults and carries a good time with it wherever it goes. But it doesn't carry a sticker price designed to blow away your budget.

\* Built by Mitsubishi Motors Corporation.



▲ **Four-wheel fully independent double-wishbone suspension** allows ride characteristics to be tuned separately from handling so smoothness is not sacrificed for stability, nor stability for smoothness.

■ **A touring suspension**, standard on Avenger, includes a double-wishbone configuration with a front stabilizer bar that controls sway during cornering. The Avenger ES' handling suspension, available with the V6\* engine, adds a rear stabilizer bar for even greater stability.

► **Split-folding rear seatbacks** let you carry cargo or people — or both at the same time. The large 13.1-cubic-foot trunk includes an adjustable net on Avenger ES to contain cargo.

\* Built by Mitsubishi Motors Corporation.



Avenger shown in Indy Red.

■ **A four-wheel antilock braking system** is standard on Avenger ES and available on Avenger for improved steering control during emergency braking conditions.

■ **A six-way manually adjustable driver's seat** with recliner memory is standard on Avenger. Bucket seats on Avenger ES also include manual lumbar support.

■ **Power-assisted, speed-sensitive steering** provides greater maneuverability at low speeds for easy parking but maintains a firm feel of the road at highway speeds.

■ **A HomeLink® Universal Transmitter** is available on both Avenger models to activate up to three remote devices, including security lights.

HomeLink is a registered trademark of the Price Corporation.

### POWER TRAINS

Engine	Transaxle	Avenger	Avenger ES
2.0-Liter DOHC 16-Valve 4-Cylinder Horsepower: 140 @ 6,000 rpm Torque (lb-ft): 130 @ 4,800 rpm Bore and Stroke: 3.45" x 3.27" Compression Ratio: 9.8:1	5-Speed Manual	S	0**
	4-Speed Automatic	O	NA
2.5-Liter SOHC 24-Valve V6† Horsepower: 163 @ 5,500 rpm Torque (lb-ft): 170 @ 4,350 rpm Bore and Stroke: 3.26" x 2.99" Compression Ratio: 9.5:1	4-Speed Automatic	NA	S

S = Standard. NA = Not available. O = Extra-cost option.  
\*\* Late availability. † Built by Mitsubishi Motors Corporation.





Stratus ES shown in Light Silver Fern.

## Stratus

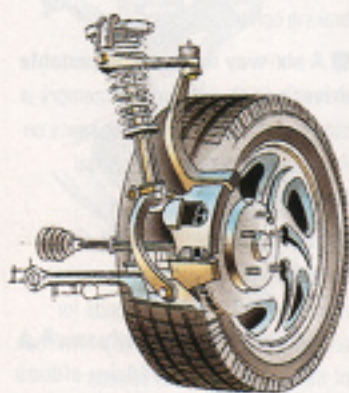
“The Stratus has a lot going for it, whether you measure it against the competition or standing alone.” — AUTOWEEK

We questioned everything about what a sport sedan should be. The result: Stratus has impressive cab-forward room inside and sleek styling outside. It handles so much like a sport coupe, you may turn around to count the doors more than once.

What about value? Stratus has a nonthreatening sticker price with standard features that include air conditioning, tilt steering column, power-assisted brakes, power-assisted rack-and-pinion steering, and speed-sensitive intermittent wipers.

A standard center console includes storage and two cup holders. Other thoughtful details include a lockable glove box and map pockets in the front doors.

In addition, Stratus ES includes standard ABS, fog lights, variable-assist speed-sensitive steering, power windows, power door locks, electronic speed control and heated exterior power mirrors. On Stratus ES, leather-trimmed seats, a leather-wrapped steering wheel and an eight-way power driver's seat are also available.



▲ A standard antilock brake system on Stratus ES (optional on Stratus models) prevents wheel lockup during emergency stops and allows the driver to maintain steering control. Front-wheel drive on all Stratus models provides excellent all-weather traction.

■ Stratus hugs corners with a fully independent, modified double-wishbone suspension that allows ride and handling to be tuned separately, so neither is sacrificed for the other. A sport suspension, standard on ES, adds sport-tuned shocks and springs for even greater control.

Want concert hall sound? Stratus surrounds you with it thanks to a standard four-speaker stereo system and an AM/FM stereo cassette player. Or choose an available premium AM/FM stereo CD player or an available premium AM/FM stereo cassette player with CD capability. Both available systems feature 100-watt amplification with eight speakers in six locations.

Test-drive the hot-handling sport sedan that feeds your desire to push it to the limit without overlooking your need for safety, comfort and reliability.



▲ The rear seatback folds down to increase the carrying capacity of a large 15.7-cubic-foot trunk. ES cloth interior is shown (center) in Silver Fern.



POWER TRAINS				
Engine	Code	Transaxle	Stratus	Stratus ES
2.0-Liter SOHC 16-Valve SMPI 4-Cylinder Horsepower: 132 hp @ 6,000 rpm Torque: 129 lb-ft @ 5,000 rpm	21	5-Speed Manual with Overdrive	S	S
2.4-Liter DOHC 16-Valve SMPI 4-Cylinder Horsepower: 150 hp @ 5,200 rpm Torque: 167 lb-ft @ 4,000 rpm	24	4-Speed Electronically Controlled Automatic with Overdrive	O	O
2.5-Liter SOHC 24-Valve SMPI V6** Horsepower: 168 hp @ 5,800 rpm Torque: 170 lb-ft @ 4,350 rpm	26	4-Speed Electronically Controlled Automatic with Overdrive	NA	O

S = Standard, O = Optional, NA = Not available.  
\*\*Built by Mitsubishi Motors Corporation.



## Intrepid

“... ‘cab-forward’ design provides a spacious interior with truly ‘adult-sized’ back-seat room.”

— CONSUMERS DIGEST

Intrepid's breakthrough cab-forward design produces 103.7 cubic feet of interior space and allows extra-wide seats and exceptionally

large rear doors.

The base Intrepid model shown here has been upgraded for 1996 with 16-inch tires, new front fascia and fog lights. Also standard are air conditioning, 3.3-liter V6 engine, electric rear window defroster, speed control, deluxe wipers, fully independent touring suspension, power-assisted rack-and-pinion steering,\* dual air bags† and more.

\*Variable-assist, speed-sensitive power steering is standard on Intrepid ES and available on Intrepid for easy parking and a solid feeling of control at highway speeds.

†Always wear your seat belts.



▲ Intrepid ES' standard 3.5-liter 24-valve SOHC engine uses multivalve racing technology for high horsepower and instant response. It's the same engine that powers the formula race cars driven by entry-level professionals in the Skip Barber Dodge Pro Race Series.

■ An electronically controlled automatic overdrive transaxle is standard with both Intrepid engines to optimize shift points for all four forward gears.



Intrepid shown in Bright Platinum Metallic.



Intrepid ES shown in Black.

POWER TRAIN AVAILABILITY	
<b>Intrepid 3.3-Liter Engine Specifications</b>	
Engine Type	Overhead Valve, 60-Degree V6
Horsepower	161 @ 5,300 rpm
Torque	181 @ 3,200 rpm
Fuel System	Sequential Multipoint Electronic Fuel Injection
Bore and Stroke	3.66" x 3.19"
Compression Ratio	8.9:1
<b>Intrepid ES 3.5-Liter Engine Specifications</b>	
Engine Type	Single Overhead Cam, 24-Valve, 60-Degree V6
Horsepower	214 @ 5,850 rpm
Torque	221 @ 3,100 rpm
Fuel System	Sequential Multipoint Electronic Fuel Injection Featuring Dual Throttle Bodies
Bore and Stroke	3.78" x 3.19"
Compression Ratio	9.4:1

■ Cab-forward design positions the wheels toward the corners for maximum interior room. It also results in a wide track for handling that's predictable on roads that aren't.

■ Intrepid's cab-forward profile and 63-degree sloped windshield slice through the air with a .33 coefficient of drag that's lower than some sports cars. Over 400 hours in wind tunnel studies were logged to refine its aerodynamically slippery skin.

■ To help flatten bumps and absorb jolts from rough roads, Intrepid has a 113-inch wheelbase, the longest in a midsize car. Substantial 7.48-inch front and 8.5-inch rear suspension travel also helps cushion the ride, while a wide 62-inch track aids stability, especially when cornering. And you can match your preference in suspension firmness and control with a choice of standard touring or, on Intrepid ES, performance suspension tuning.

■ Intrepid ES, shown at the bottom right, includes base Intrepid features plus a 3.5-liter, 24-valve SOHC V6 engine, four-wheel antilock disc brake system, bodyside cladding, 16-inch cast aluminum wheels and all-season touring tires, leather-wrapped steering wheel, remote illuminated entry system, premium cloth-upholstered bucket seats with eight-way adjustable power driver's seat and more.



▲ The 16.7-cubic-foot capacity luggage compartment features a low liftover design and a spare tire well that can hold an available conventional full-size spare tire.

► Loaded with leg room and leather. Intrepid ES' available premium leather-with-vinyl-trim interior includes front bucket seats with eight-way adjustable power driver and front passenger's seats, driver-side manually adjustable lumbar support, reclining seatbacks, adjustable head restraints, seatback map pockets, and a contoured, three-passenger rear seat with folding armrest. Shown in Medium Quartz.





■ **Eight models to choose from** — more than any other minivan. Selected models shown are:

TOP LEFT: Dodge Grand Caravan ES four-door in Forest Green.

BOTTOM LEFT: Dodge Grand Caravan LE four-door in Candy Apple Red.

TOP RIGHT: Dodge Caravan with Family Value Package "T" in Island Teal.

BOTTOM RIGHT: Dodge Caravan SE with Sport Decor Package in Bright White.



## Caravan

“Inside and out, everything is new, improved, and larger.”

— CAR AND DRIVER MAGAZINE

Because we've thought of everything to make the all-new Dodge Caravan just as original as the original,<sup>™</sup> it's the roomiest, quietest, most versatile and most refined Dodge Caravan ever. The safest, too, with antilock brakes standard on all models.

No competitive minivan offers so many choices to meet your needs from basic family value to full-featured performance: short- and long-wheelbase models, four high-tech engines, five power train combinations, four trim levels, money-saving\* Customer-Preferred<sup>SM</sup> packages of options and much more.

Imitators keep trying to catch up, while we just keep making the world-class Dodge Caravan better to benefit you and your family.

\* Based on value of items in package versus Manufacturer's Suggested Retail Price.



▲ **A second sliding door** on the driver's side is available on all models for unobstructed access to the middle seat. An automatic lockout prevents the door from opening when the fuel door is also open.

■ **The most bins, drawers, pockets and cup holders in a minivan** provide world-class storage for maps, cups, cassettes, tissues and other miscellaneous items.

■ **Designed from the inside out like the original**, the all-new Dodge Caravan has a longer, wider and taller interior than previous models. Seven-passenger seating is standard on Grand Caravan and available on Caravan. Dodge Grand Caravan LE interior is shown at the right in Mist Gray cloth-with-vinyl trim.



◀ **A MINIVAN FIRST: New Easy Out Roller Seats<sup>™</sup>** in the middle and rear bench seat positions feature aircraft-type rollers that snap down and up so you can reposition or remove a seat by simply rolling it.

▼ **A red reminder button** pops out of each release handle on an Easy Out Roller Seat<sup>™</sup> until you properly lock and secure the seat so it can't move.



▼ **A MINIVAN EXCLUSIVE:** A 4' x 8' sheet of building material can be carried in a Dodge Grand Caravan — with the liftgate closed — on top of the middle and rear seats when they're folded forward, or on the floor when the seats are removed.



Cargo shown for demonstration only. Properly secure all cargo before transporting.

▼ **We added more horses and quieted them down.** In addition to kicking out more horsepower, the engines offered on the 1996 Dodge Caravan are among the quietest of any minivan.

The all-new 2.4-liter DOHC SMPI four-cylinder engine provides increased acceleration and horsepower.



Engine	Transaxle	Caravan			Grand Caravan		
		Base	SE	LE	Base	SE	LE
2.4-Liter SMPI 4-Cylinder Horsepower: 150 @ 5,200 rpm Torque (lb-ft): 167 @ 4,000 rpm <sup>Ⓐ</sup> Bore and Stroke: 3.44" x 3.98" Compression Ratio: 9.4:1	3-Speed Automatic	S			S		
	4-Speed Automatic		S			S	
3.0-Liter SMPI V6 <sup>Ⓐ</sup> Horsepower: 150 @ 5,200 rpm Torque (lb-ft): 176 @ 4,000 rpm Bore and Stroke: 3.59" x 2.99" Compression Ratio: 8.9:1	3-Speed Automatic	O	O		O	O	
	4-Speed Automatic		O	S		O	S
3.3-Liter SMPI V6 Horsepower: 158 @ 4,850 rpm Torque (lb-ft): 203 @ 3,250 rpm Bore and Stroke: 3.66" x 3.19" Compression Ratio: 8.9:1	4-Speed Automatic			O	S		S
	4-Speed Automatic			O			O

S = Standard, O = Optional.

<sup>Ⓐ</sup> Emissions controls and testing required at an extra cost on all vehicles registered in California, Massachusetts or New York. Also available in states bordering California, Massachusetts or New York.

<sup>Ⓑ</sup> Torque (lb-ft) 167 @ 3,250 rpm with four-speed automatic.

<sup>Ⓒ</sup> Built by Mitsubishi Motors Corporation.



# We're thinking ahead.

Futuristic design. Innovative engineering. Quality production. All are embodied in 1996 Dodge cars and trucks. And in the Dodge vehicles of tomorrow currently under development at our research facilities and on our test tracks.

But to you, the vast resources of the Dodge Division are centered in just one place: the dealership. Here, too, our goal is to ensure continuous improvement.

**CustomerOne** In our ongoing commitment to customer satisfaction, we've instituted Customer One, a comprehensive process designed to improve the way we do business. As a result, we hope to exceed your expectations — whether you're "just looking," ready to buy, or in for service.

That's the new Dodge culture: new ways to research, design, test and produce world-class cars and trucks — and continuous improvement in the ways we treat the people who buy them.

For more information, call 1-800-4-A-DODGE.

## SERVICE/OWNERSHIP EXPERIENCE

### 3/36 Customer One Care

Dodge vehicles are covered by the 3/36 Customer One Care Plan,\* which includes:

**CustomerOne e-Care** A 3-year or 36,000-mile (whichever comes first) **Bumper-To-Bumper Limited Warranty** which covers the complete vehicle against defects in factory-supplied materials and workmanship. (This 3/36 warranty excludes tires, wiper blades, clutch and brake linings and normal maintenance items.)

**CustomerOne e-Care** **Roadside Assistance** for 3 years or 36,000 miles which provides 24-hour, 7-day-a-week Emergency Road Service, contacted by a 24-hour nationwide toll-free number. Roadside Assistance covers many items not included in the 3/36 warranty, such as lockout, jump start, out of gas, flat tire repair and towing.

A 7-year or 100,000-mile **Outer-Panel Rust-Through Limited Warranty** which covers the cost of all parts and labor needed to repair exterior sheet-metal panels perforated by corrosion.

The 3/36 Customer One Care Plan stays with the vehicle and transfers automatically to subsequent owners at no charge during the warranty period.

\* See your dealer for additional details and a copy of the limited warranty.

† Tires and optional cellular phones are covered by their respective manufacturers' warranties.

‡ Roadside Assistance services provided by Cross Country Motor Club, Inc. (In California, Cross Country Motor Club of California, Inc.)

### Chrysler Service Contracts

Additional peace-of-mind protection for vehicle owners is available through optional Chrysler Service Contracts. These services are available in a variety of time and mileage combinations to meet your particular driving needs.

## MOPAR CUSTOMER CARE

There's only one sure way to keep your Dodge vehicle performing at its optimum mile after mile. Just make sure it's serviced regularly at your nearby Dodge dealer. That's where you'll find first-rate mechanics specially trained in the maintenance and repair of your new Dodge vehicle. They've been provided with all the sophisticated equipment today's cars demand. And they have immediate access to a complete stock of authentic Mopar replacement parts that can make the difference between trouble-free driving and the unacceptable alternative.

## Purchase Alternatives And Assistance

Many of today's new car prospects are considering leasing as an alternative to buying. Leasing a new Dodge vehicle usually involves a small security deposit and the first month's lease payment. Monthly payments are usually less than financing a new car purchase. Ask your dealer for details.

## Chrysler Credit Financing

Chrysler Credit offers a broad range of automotive financing which provides flexible terms for qualified buyers. Many of these plans can be customized to fit your particular budget and lifestyle. Our College Graduate Program is especially attractive if you're just beginning your career. Gold Key Lease is designed to lower your monthly payments while Gold Key Lease One allows you to prepay all monthly payments so you have all the advantages of leasing without the hassle of monthly payments. Gold Key Plus is ideal for short-term financing. Ask your salesperson for details.

## Automobility Program

Cash reimbursement is available for qualified adaptive driving devices on 1996 Dodge vehicles. Ask your dealer to provide you with more information, or call the Automobility Headquarters at 1-800-255-9877.

## Chrysler Cellular Systems

For 1996, Chrysler Corporation will be offering a selection of dealer-installed/supplied cellular phones in several models to enhance the available optional equipment list. Ask your dealer for details. Each manufacturer warrants and services these products. Restrictions apply. Ask your dealer for a copy of these limited warranties.

## Chrysler Corporation Environmental Programs

Chrysler Corporation is committed to the research and development of technologies for reducing emissions that deteriorate air quality. These include vehicle emissions control devices, and alternative fuels and engines. Chrysler's flexible fuel methanol cars, natural gas vans and electric minivans clearly demonstrate our dedication to the advancement of these technologies in our products. Your Dodge vehicle and all other Chrysler vehicles are built in manufacturing facilities that use state-of-the-art environmental and assembly controls to conserve resources, prevent pollution and recycle materials.

## Always wear your seat belts.

Certain models, packages and options are subject to specific restrictions, requirements or late availability. See your dealer for the latest ordering information.

All product illustrations are based on current information at the time of publication approval. Although descriptions are believed correct, accuracy cannot be guaranteed. Chrysler Corporation reserves the right to make changes from time to time without notice or obligation in prices, specifications, colors and materials, and to change or discontinue models. See your dealer for the latest information.



Viper



Stealth



Neon Coupe



Neon Sedan



Avenger



Stratus



Intrepid



Caravan



Grand Caravan



Dakota



Ram Pickup



Ram Van



The New Dodge