

CHRYSLER 05 PACIFICA





Pacifica Limited in Linen Gold Metallic



Chrysler inspiration.  
Standard on every model of Pacifica we build.

PACIFICA LIMITED  
The luxury of utility  
PACIFICA TOURING  
Well beyond the SUV

PACIFICA  
More than you need  
All that you want

Can inspiration make a vehicle that's more than mere transportation? Can performance and passenger room peacefully coexist? Can first-class transportation also come with the U.S. Government's Five-Star crash-test ratings\*? Can inspiration merge the security

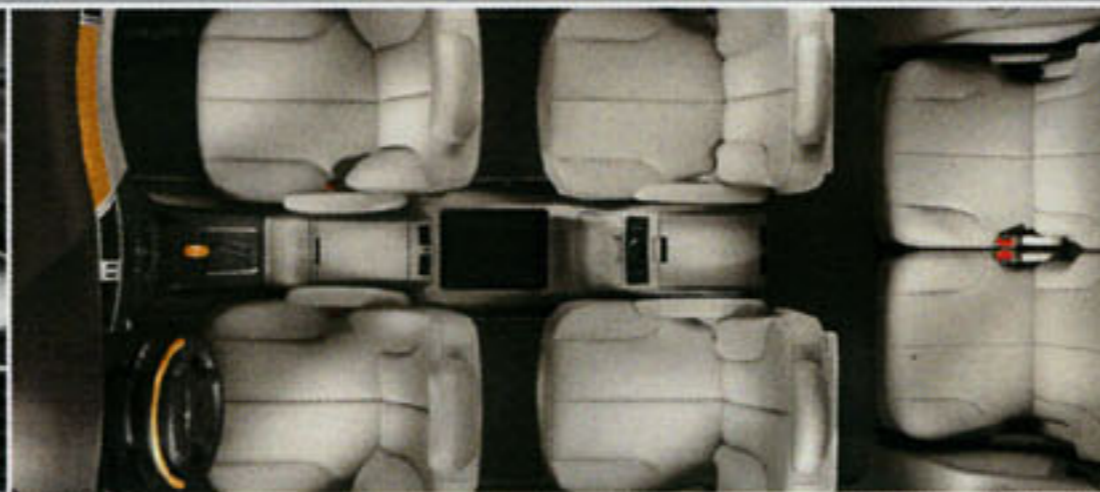
and easy access of a minivan with the available all-wheel-drive capability of an SUV, all in a design that's as sleek as they come? Can all this really exist in one vehicle? Yes. The 2005 Chrysler Pacifica.

\*When equipped with optional side-curtain air bags.





Pacifica Limited in Brilliant Black Crystal



Room, with a view. An available navigation system with GPS map display is integrated in-cluster under the speedometer and helps make directions more readily visible to the driver. Polished genuine wood accents the leather-wrapped steering wheel and z-shifter knob. The roomy interior gets more breathing room courtesy of a power moonroof with sunshade and one-touch-open mechanism.



Pacifica Touring in Bright Silver Metallic

## PACIFICA TOURING

Performance and safety unite in Pacifica Touring, a vehicle that responds intuitively to the needs of six people, or quickly reinvents itself to carry precious cargo. A low stance provides car-like handling, while a choice of all-wheel drive or front-wheel drive with available traction control provides capability, tackling city streets and gravel roads with equal ease. Pacifica Touring makes every trip a little more adventurous, and getting there a lot more fun.



Distinctive Satin Silver trim and woodgrain accent the instrument panel. Second-row comforts include a console that provides temperature controls and a set of cup holders. Available second-row heated, leather-trimmed bucket seats offer easy access to the third row. A 3.5L engine with available AutoStick® Driver-Interactive transaxle offers the choice of automatic or manual control. The performance-tuned independent suspension helps to provide an even ride on rough roads.

# PACIFICA

Performance, capability, safety and style. Pacifica inspires confidence in so many ways. With room for five and over 92 cubic feet of cargo space, Pacifica has more room than any other vehicle in its class.\*

Agile handling. Split-fold second-row seat. Independent temperature controls and eight-way power driver's seat. Pacifica offers both a sophisticated driving experience and high functionality.

\*Ward's Communications Middle Luxury Cross/Utility class. Comparison of combined passenger and maximum cargo room.



Pacifica's cloth interior features seating for five with a comfort-designed second-row bench seat. 35/65 split-fold design maximizes seating configuration and versatility. Focus on where you're going. Dual Zone air conditioning controls and steering wheel-mounted radio controls are conveniently located. Other conveniences include power windows, door locks and leather-wrapped steering wheel. Controls are designed to be easily within reach. Speed-sensitive windshield wipers and dual-folding power heated side mirrors are designed for optimal visibility and convenience.



Pacifica in Midnight Blue Pearl





The Insurance Institute for Highway Safety selected the 2004 Chrysler Pacifica as Best Pick\* for earning a good rating for frontal offset crash tests. But Pacifica surrounds you in other safety and security features as well. Available all-wheel drive and standard four-wheel disc antilock brakes with available traction control provide all-road, all-weather gripping power. Innovative SecureShield hard-to-break laminated glass affords enhanced vehicle security. UV solar protection screens out 95 percent of the sun's harmful UV rays, providing a Sun Protection Factor (SPF) of 50. The new ParkSense™ Rear Back-up System uses sensors to detect obstacles behind the vehicle and alerts the driver with an LED display and sounds an audible alert when the vehicle reaches close range!

\*Best Pick rating based on an offset-frontal crash of a nominal speed of 40 mph.  
†Detects most objects. As with all electronically controlled systems, care is advised.



## SAFETY AND SECURITY

Meriting peace of mind. The U.S. Government's Five-Star crash-test ratings.\* Pacifica has also earned the U.S. Government's best rating for rollover resistance among all SUVs tested.†

The assurance offered by available supplemental side-curtain air bags‡ that span all three rows of seating. It all adds up to a very inspired sense of security.



Pacifica has earned the U.S. Government's highest crash-test ratings for front- and side-impact protection.\*

\*When equipped with optional side-curtain air bags. †Based on 2004 SUV models tested. Pacifica received a 4 out of 5 star rating. ‡Always use seat belts. Children 12 and under should always be in a backseat correctly using an infant or child restraint system, or the seat belt positioned correctly for the child's age and weight.

# EXTERIOR AND INTERIOR COLORS



	Brilliant Black Crystal		Stone White		Inferno Red Crystal Pearl		Bright Silver Metallic		Butane Blue Pearl		Magnesium Pearl		Linen Gold Metallic		Midnight Blue Pearl	
	A	B	A	B	A	B	A	B	A	B	A	B	A	B	A	B
Interior Limited (Leather)	.						.				.		.			
Interior Touring (Leather or Cloth)	.	.	.	.	.	.	.	.	.	.	.	.	.	.	.	.
Interior Pacifica (Cloth)			.		.		.				.		.		.	

KEY: Interior A: Light Taupe; Interior B: Dark Slate Gray



Accessorizing your Pacifica. Whether it's the exhilaration of whitewater kayaking or the exploration of an open road, you'll enhance the experience with authentic Chrysler accessories by Mopar. With a wide selection of Sports and Cargo Carriers, Entertainment and Navigation Systems and many other original-equipment accessories to choose from, Mopar has the perfect fit for your lifestyle. For more information, visit [mopar.com/chrysler](http://mopar.com/chrysler) or see your local Chrysler dealer.

Properly secure all cargo.

Shown with Water Sports Carrier, Sport-Utility Bars, Front Air Deflector and Molded Splash Guards

Authentic Chrysler Accessories



17-inch wheel cover  
Standard on Pacifica



17-inch aluminum wheel  
Standard on Touring; available on Pacifica



17-inch chrome-clad, aluminum wheel  
Optional on Touring



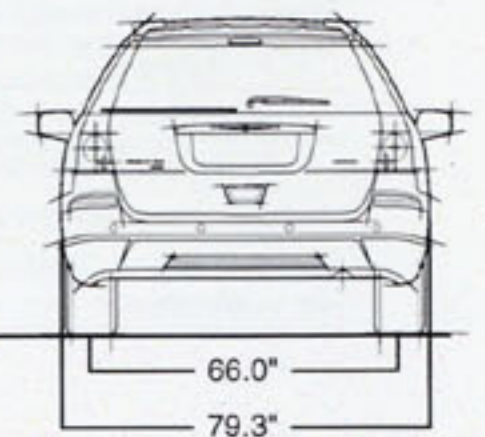
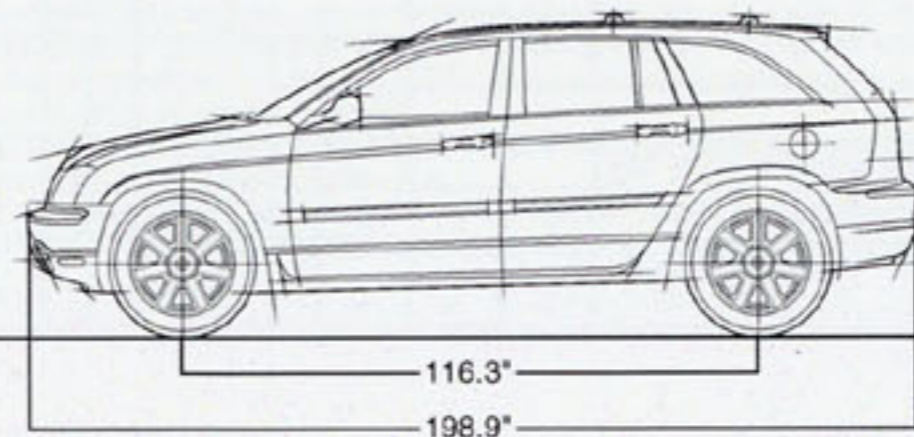
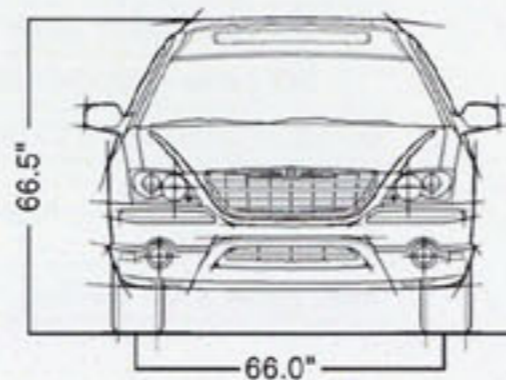
19-inch chrome-clad, aluminum wheel  
Optional on Touring



19-inch chrome-clad, aluminum wheel  
Standard on Limited

	Pacifica	Touring/Limited
Towing Capacity (lb)*	3,500	3,500
<b>CARGO VOLUME (cu ft)</b>		
Behind 3rd row	N/A	13.2
Behind 2nd row	45.0	43.5
Behind front row	92.2	79.5
Maximum seating capacity	5	6

\*When properly equipped.



	Pacifica		Touring				Limited
	FWD	AWD	FWD	AWD	FWD	AWD	AWD
<b>ENGINE/TRANSAXLE</b>							
3.8L V6/4-speed automatic with AutoStick®	28H						
3.5L V6/4-speed automatic with AutoStick		26H	26S	26T	26S	26U	26X
<b>MECHANICAL</b>							
Alternator – 140-ampere	S						
– 160-ampere		S	S	S	S	S	S
Battery – 600-ampere, maintenance-free	S	S	S	S	S	S	S
Brakes – Four-wheel disc antilock	S	S	S	S	S	S	S
Engine Block Heater	0	0	0	0	0	0	0
Fuel Tank – 23-gallon with tethered cap	S	S	S	S	S	S	S
Suspension – Independent, performance-tuned; Front, MacPherson; Rear, five-link, load-leveling	S	S	S	S	S	S	S
Traction Control – Low-speed			0	0			
<b>EXTERIOR FEATURES</b>							
Antenna – Integrated into right rear quarter glass	S	S	S	S	S	S	S
Cladding – Lower bodyside, accent color	S	S	S	S	S	S	
Fog Lamps – Front				S		S	S
Glass – Sunscreen/privacy (rear and sides) and solar control (front row and windshield)	S	S	S	S	S	S	S
Headlamps – Halogen, dual reflector with off-time delay	S	S	S	S	S	S	S
– Automatic						S	S
– High Intensity Discharge (HID)				0		0	0
Liftgate – Power, includes overhead console, integrated key button controls and Obstacle Detection System <sup>(1)</sup>			0	S	0	S	S
Mirrors – Dual folding, power, heated side	S	S	S	S	S	S	S
– Driver-side exterior with electrochromic dimming						S	S
Moonroof – Power with sunshade and one-touch open			0	0	0	0	S
Roof Rack Side Rails – Integrated	S	S	S	S	S	S	S
Spare Tire – Compact (T155/90D18 on 18"x4" steel wheel)	S	S	S	S	S	S	S
– Full-size (not available with 19" wheel)			0	0	0	0	
Tires – P235/65R17 BSW All-Season	S	S	S	S	S	S	
– P235/55HR19 BSW All-Season				0		0	S
Wheels – 17" wheel cover	S						
– 17" aluminum		S	S	S	S	S	
– 17" aluminum, chrome-clad			0	0	0	0	
– 19" aluminum, chrome-clad (not available with full-size spare tire)				0		0	S
Windows – Power front and rear with one-touch-down	S	S	S	S	S	S	S
Windshield Wipers – Speed-sensitive; front – variable intermittent; rear – intermittent	S	S	S	S	S	S	S

	Pacifica		Touring				Limited
	FWD	AWD	FWD	AWD	FWD	AWD	AWD
<b>INTERIOR FEATURES</b>							
Air Conditioning – Dual Zone Manual Temperature Control	S	S					
– Dual Zone Automatic Temperature Control with infrared sensor and outside temperature display			S	S	S	S	S
Air Filter – Particulate air filter	S	S	S	S	S	S	S
Assist Handle – Front passenger only	S	S	S	S	S	S	S
Cargo Tie-Down Loops – Rear	S	S	S	S	S	S	S
Clock – Analog			S	S	S	S	S
Consoles – Mini-overhead	S	S					
– Overhead: Includes map lamps, sunglasses holder, sunroof and power liftgate controls (if equipped) and HomeLink® Universal Transceiver					S	S	S
– First-row floor: Storage compartment, front cup holders, cell phone holder, power outlet, rear HVAC vents	S	S					
– First- and second-row floor: Storage compartment, front/rear cup holders, cell phone holder, power outlet, rear airflow control and vents					S	S	S
Defroster – Electric rear window	S	S	S	S	S	S	S
Deluxe Sound Insulation – Hood and rear floor silencers	S	S	S	S	S	S	S
Electronic Vehicle Information Control (EVIC) – Display located in instrument cluster			S	S	S	S	S
Floor Covering – 10-ounce floor and cargo area	S	S	S	S	S	S	S
Floor Mats – Luxury, first- and second-row	S	S	S	S	S	S	S
Grocery Bag Hooks – Front seatbacks	S	S	S	S	S	S	S
HomeLink Universal Transceiver			S	S	S	S	S
Lamps – Rear reading lamps, four			S	S	S	S	S
Lighting – Fade-to-off courtesy lamps include: Illuminated entry liftgate floodlamp, and two front map lamps	S	S	S	S	S	S	S
Map Pockets – Front and rear doors	S	S	S	S	S	S	S
Memory System – Controls driver's seat, exterior mirror and adjustable pedal (if equipped) positions, and radio presets for two drivers							S
Mirrors – Rearview, day/night	S	S	S	S	S		
– Rearview mirror with automatic dimming							S
– Dual covered vanity mirrors	S	S					
– Dual interior illuminated vanity mirrors			S	S	S	S	S
Navigation System with GPS – Integrated in-cluster map display					0		0
Power Accessory Delay	S	S	S	S	S	S	S
Power Door Locks	S	S	S	S	S	S	S
Power Outlets – Four (two front, one second-row, one cargo area)	S	S	S	S	S	S	S

	Pacifica		Touring		Limited	
	FWD	AWD	FWD	AWD	AWD	
<b>INTERIOR FEATURES (CONTINUED)</b>						
Remote Audio Controls – Located on back of steering wheel	S	S	S	S	S	S
Shift Knob – Leather-wrapped	S	S	S	S	S	
– Leather-wrapped with genuine wood accents						S
Speed Control – steering wheel-mounted controls	S	S	S	S	S	S
Steering – Power rack-and-pinion	S	S	S	S	S	S
Steering Column – Tilt	S	S	S	S	S	S
Steering Wheel – Leather-wrapped	S	S	S	S	S	
– Leather-wrapped with genuine wood accents						S
Storage – Carpeted, covered bin under rear cargo floor			S	S	S	S
Tachometer			S	S	S	S
Trip Computer – Display located in instrument cluster			S	S	S	S
<b>SEATING AND TRIM</b>						
Cloth Interior – Camden/Avenue cloth	S	S				
– Sydney/Saratoga cloth			S			
Leather-Trimmed Interior – Front- and second-row seats				S	S	S
– Front- and second-row seats, luxury leather and Preferred Suede®						S
Seating – First row: Low-back buckets with inboard armrests	S	S	S	S	S	S
– 5-passenger (includes 65/35 intermediate bench)	S	S				
– 6-passenger (includes fold-flat second-row buckets, 50/50 third-row)			S	S	S	S
Seats – 4-way power front-passenger	S	S	S	S	S	S
– 8-way power driver's	S	S				
– 10-way power driver's with "easy exit" capabilities			S	S	S	S
<b>ENTERTAINMENT SYSTEMS</b>						
CD/DVD Changer – In-dash 6-disc, includes RCA-type input jacks for video devices, game consoles and MP3 player	0	0	0	S	0	S
DVD Rear Seat Video™ System – Rear headliner-mounted, 7" diagonal screen with remote control and two wireless headsets. Connects to optional in-dash 6-disc CD/DVD changer (requires power liftgate and CD/DVD changer)			0	0	0	0
Radio – AM/FM CD player with changer controls	S	S	S		S	
– AM/FM cassette/CD players with equalizer and changer controls	0	0	0	S	0	S
Satellite Radio – Factory-installed SIRIUS Satellite Radio <sup>(2)</sup>			0	0	0	0
Sound System – Seven ∞ Infinity™ speakers, 200-watt amplifier	S	S	S	S	S	S
– 385-watt ∞ Infinity Intermezzo™ Digital 5.1 Surround-Sound system includes AM/FM cassette/CD/equalizer/changer controls and 8 speakers including an 8" subwoofer				0		0

	Pacifica		Touring		Limited	
	FWD	AWD	FWD	AWD	AWD	
<b>SAFETY AND SECURITY</b>						
Adjustable Pedals – Power with memory (included in Comfort Convenience Group)			0	P	0/P	S
Air Bags <sup>(3)</sup> – Next Generation, multistage driver and front passenger with Occupant Classification System and driver-side inflatable knee blocker	S	S	S	S	S	S
– Supplemental side-curtain for passengers in all rows	0	0	0	0	0	S
Child-Protection Rear Door Locks	S	S	S	S	S	S
Child Seat Anchor System (LATCH) – Lower anchors and upper tether anchors for compatible aftermarket child seats	S	S	S	S	S	S
Remote Keyless/Illuminated Entry	S	S	S	S	S	S
ParkSense™ Rear Back-up System <sup>(4)</sup> – Includes accent-color rear fascia scuff pad <sup>(4)</sup>			0	0	0	0
Seat Belts – Lap/shoulder at all seating positions; pretensioners and height-adjustable upper anchors at front positions	S	S	S	S	S	S
SecureShield Laminated Side-Window Glass – Requires side-curtain air bags				0		0
Security Alarm	S	S	S	S	S	S
Sentry Key® Theft Deterrent (Engine Immobilizer) – Integrated key/fob	S	S	S	S	S	S
Tire Pressure Monitoring System – Low-pressure display in EVIC (packaged with 19" chrome-clad wheels)			0	0/P	0	0/P
UConnect™ Hands-Free Communications System				0		0
<b>PACKAGES</b>						
Cargo Convenience Group – Rear cargo net, tonneau cover, roof rack crossbars and rear fascia scuff pad <sup>(4)</sup>	0	0	0	0	0	0
Comfort Convenience Group – Heated front- and second-row seats and power adjustable pedals (requires Leather-Trimmed Interior)				0	0	S
Heated Seat Group – Heated front- and second-row seats (Requires Leather-Trimmed Interior)				0	0	S
Smoker's Group – Ashtray and cigar lighter	0	0	0	0	0	0

S = Standard, P = Included in package noted in parentheses, 0 = Optional.

<sup>(1)</sup> Detects most obstacles. As with all electronically controlled devices, care is advised.

<sup>(2)</sup> First year subscription included. Available only within Continental United States.

<sup>(3)</sup> Certified to the Federal Regulations for automatic passenger occupant classification. Always use seat belts. Children 12 and under should always be in a backseat correctly using an infant or child restraint system, or the seat belt positioned correctly for the child's age and weight. The OCS determines the conditions for activation or deactivation of the passenger-side front air bag based upon the weight of the occupant. It may not activate the air bag if the occupant has incorrect seating posture or is moving in the seat. You should observe the air bag light to determine if the OCS is deciding properly. Passenger should sit properly in the seat with the seat belt fastened at all times.

<sup>(4)</sup> Rear fascia scuff pad not included on Limited models.

Infinity and Intermezzo are registered trademarks of Harman International Industries, Inc. HomeLink is a registered trademark owned by Johnson Controls, Inc.

Preferred Suede is a registered trademark of Milliken & Co.

2004 SIRIUS Satellite Radio Inc. "SIRIUS" and the SIRIUS dog logo are registered trademarks of SIRIUS Satellite Radio, Inc.

Mapat, Pacifica, ParkSense, Rear Seat Video, SecureShield, Sentry Key and UConnect are trademarks of DaimlerChrysler Corporation.

# CHRYSLER



INSPIRATION COMES STANDARD

#### VISIT YOUR DEALER.

Your Chrysler dealer's knowledgeable and professionally trained staff will guide you through the shopping process with expert advice.

#### VISIT CHRYSLER.COM.

Our Web site offers detailed information on all Chrysler products. You can virtually assemble any car or minivan you like...choose the model with your favorite color combinations, equipment and features – and then price it all out.

#### CALL 1-800-CHRYSLER.

Our friendly and knowledgeable product information specialists are available seven days a week, 8 a.m. – midnight (EST) to answer your questions.

**Chrysler Financial**

*Financing your drive.*

Chrysler Financial, a member of the DaimlerChrysler Services Group, has flexible payment plans and financing products available for the qualified buyers. Talk with your Chrysler dealer or visit [chryslerfinancial.com](http://chryslerfinancial.com) for details.

#### PREMIUM CARE PLAN.

This plan provides a complimentary courtesy vehicle for scheduled dealer visits.

Plan provides benefits during the initial 3-year/36,000-mile limited warranty period. See dealer for plan details.



#### WARRANTY\*

New Chrysler vehicles are covered by a 3/36 Basic Limited Warranty and a 7/70 Powertrain Limited Warranty. Ask your dealer for additional details and a copy of these limited warranties. The 7/70 is transferable to a second owner for a fee. A deductible applies to the 7/70 Powertrain Limited Warranty.

\*Excludes SRT models.



All product illustrations, specifications and competitive comparisons are based upon current information at the time of publication approval. Although descriptions are believed correct, complete accuracy cannot be guaranteed. DaimlerChrysler reserves the right to make changes at any time, without notice or obligation, in prices, specifications, equipment, colors and materials, and to change or discontinue models. Some of the equipment shown or described throughout this catalog is available at extra cost. See your dealer for the latest information.