

08 DODGE DAKOTA



GRAB LIFE



DODGE

EXCELLENT. THE ONE TRUCK THAT INVITES YOU TO PACK UP AND GET OUT IS THE SAME ONE THAT DISTANCES YOU FROM THE USUAL CROWD. HOW? WITH HEAD-TURNING STYLE THAT STANDS OUT ON THE STREET — OR THE OFF-ROAD. WITH ENGINEERING INNOVATIONS THAT LET IT SIP A VARIETY OF FUELS WITHOUT EVER LETTING UP. DAKOTA. DELIVERING REFINEMENTS AND BEST-IN-CLASS ASSETS WITH EQUAL AUTHORITY. WHETHER YOU'RE HEADED ON ROAD OR OFF, YOU CAN GET THERE WITH A NEW STATE OF MIND. YOU CAN GET THERE WITH AN '08 DODGE DAKOTA.

DAKOTA TRX4. TAKE A WHOLE NEW APPROACH TO YOUR GETAWAY.

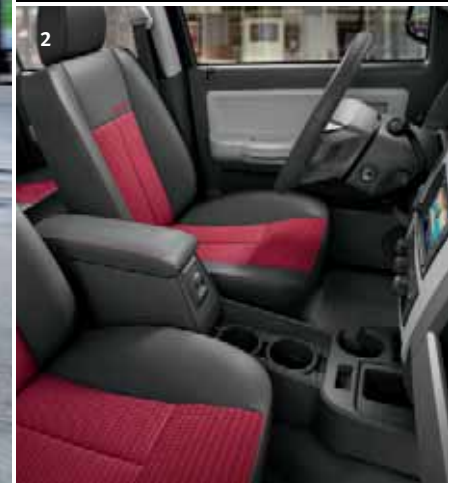
Tackling the waves? Tracking an off-road trail? Or just heading out to the open road? No matter where you're going, you'll need the right equipment. So grab your friends, your gear, and your Dakota TRX4 — and you're good to go. Here's where total runway looks combine with runaway capabilities to get you there, with features that include stunning lines, a dramatic profile, utility bed rails with movable tie-down cleats — and all of it riding on 16-inch unique painted cast-aluminum wheels with Jet Black fender flares and bodyside molding. The best wave of all? The one you give as you leave the ordinary behind.



Dakota TRX4 Crew Cab in Flame Red.



Dakota Sport Crew Cab in Bright Silver.



DAKOTA SPORT. HOW TO STREAMLINE YOUR LIFE ... FROM CURB TO CANYON.

If one word could summarize what a truck should be, it would be the word that describes the '08 Dodge Dakota Sport models: *Everything*. Check it out: the restyle is drop-dead awesome, from the squared shoulders to the two-tone accented seats. That new, available E85 Flex Fuel V8? We like to think ... *economy — for the premium lifestyle*. And when you add that aggressive, sculpted hood, restyled front fascia, and unique Dakota grille on 17-inch cast-aluminum machined wheels for Dakota Sport models? Screaming hip. Talk about one cool pickup — and you're talking about Dodge Dakota Sport.

1 NEW V8 POWER — BECAUSE IT'S ALL ABOUT THE ECONOMY. Sure, Dakota's new available V8 engine kicks out 302 horsepower and 329 lb-ft of torque. But the real story is about how it achieves this power without gulping the gas. The new 4.7 Flex Fuel V8 is E85-compatible. (E85 is an alternative fuel blend comprised of 85% ethanol and 15% petroleum.) The benefit is less drain on nonrenewable sources. Still, count on best-in-class* towing for all your toys and tools, with a 7,050-lb maximum towing capacity standing by. (Standard engine for Dakota remains the tried-and-true 3.7-liter V6, generating 210 horsepower and 235 lb-ft of torque.) More engine specs? Log on to dodge.com/dakota/performance

2 NEW SPORT INTERIOR. Of course it's comfortable. It's a best-in-class* interior for the Extended Cab model. Which means that along with 94.5 cubic feet of interior space (for crew cab, it's 102.2), your Sport models also give you new, available two-tone seats with red inserts and stitching that also feature new vinyl-trimmed side bolsters. Plus new storage above the glove box. And don't forget the all-new center console with pull-out bin and electronics-friendly storage for cell phones or MP3 players.

*Based on *Ward's* Small Pickup segmentation. When properly equipped. Excludes other Chrysler LLC-designed vehicles and sport utility trucks.



AUTHENTIC DODGE ACCESSORIES



Dakota Sport Extended Cab in Brilliant Black.

THIS TRUCK TAKES VERSATILITY SERIOUSLY.

On the one hand, there's the unpredictable nature of life and where it takes you. On the other, there's the redesigned '08 Dodge Dakota. In between is the middle ground: your personal map of destinations — like off-road trails and deserted beaches. Fortunately, the brilliant versatility of '08 Dakota Sport lets you adapt to conditions and destinations that change faster than a yellow light at rush hour. Need room to grow? Start with the longest standard cargo bed in its class.* Add best-in-class* standard cargo bed capacity. Get a hand on the available Full Swing™ rear access doors on Extended Cab models that open rearward nearly 170 degrees, allowing far easier rear cargo loading. The best parts about Dakota? The cool stuff that works. Like the ultra-expansive dual position tailgate — standard on all trim levels — and super-functional available pickup box utility rails. When you outfit your new Dakota with Authentic Dodge Accessories by Mopar, the options approach the endless.

AUTHENTIC DODGE ACCESSORIES. When you enhance your Dakota with Authentic Dodge Accessories by Mopar, you gain far more than substantial style, premium protection or extreme entertainment. You also benefit from the authentic difference found only in an original equipment accessory. It's a difference that demands tighter tolerances and envelope-pushing testing methods. And one backed by a superior warranty[†] honored by Dodge dealerships nationwide. Choose the full line of accessories that feature a fit, finish and functionality designed specifically for your Dakota. Check us out at mopar.com.

UNDER-THE-RAIL BEDLINER. For extreme truck bed protection, the Under-The Rail-Bedliner helps keep cargo from shifting with its skid-resistant construction. **DUAL-FUNCTION BED EXTENDER.** Increase the storage capacity of your truck's bed by positioning the extender to enclose the open tailgate area. Reverse the position, and the extender becomes a convenient cargo divider.[‡] **TUNER-STYLE TAILLAMPS.** Custom taillamps install easily and are designed to provide a seamless fit, while adding a unique look to your Dakota. Meets all FMVSS standards. **DOOR SILL GUARDS.** Protect the interior door sills from scratches while adding a nice touch of style. Brushed stainless steel plate features embossed Dakota name. **SIDE WINDOW AIR DEFLECTORS.** Now you can partially open your windows even in the nastiest weather and remain dry. Tinted, acrylic visors come in a set of four. **CHROME FUEL FILLER DOOR.** Add a bright complement to your Dakota with this two-piece Chrome Fuel Filler Door, also available in brushed aluminum.


*Based on Ward's Small Pickup segmentation. When properly equipped. Excludes other Chrysler LLC-designed vehicles and sport utility trucks. [†]See your dealer for full details and a copy of the limited warranty. [‡]Properly secure all cargo.



THE 2008 DODGE DAKOTA
INCLUDES A LIFETIME POWERTRAIN
LIMITED WARRANTY.

LIFETIME
POWERTRAIN WARRANTY

See dealer for a copy of limited warranty and details.
No deductible. Non-Transferable. Not available on SRT,
diesel and certain fleet vehicles.

 Visit dodge.com/dakota/performance to see Dakota features in motion.

Dakota SLT crew cab in Electric Blue, shown with Fiberglass Tonneau Cover and Chrome Tubular Side Steps, both Authentic Dodge Accessories by Mopar.


YOUR LIFE IS THE FAST LANE.

There's only one stand this pickup takes on performance: to leave others standing in the dust — and it's not limited to speed or power. True, the available all-new 4.7-liter Flex Fuel V8 engine for '08 Dakota generates a blistering 302 hp and 329 lb-ft of torque. (Both figures, by the way, are best-in-class.*) But factor in the new E85 compatibility, and you've climbed to another level of performance: the welcome opportunity to choose alternative fuels. More? Of course. Available full-time transfer case. Fully-boxed ladder-type frame. Independent front suspension. Best-in-class* available towing capacity. Dodge Dakota. It leaves you wanting one thing only — to spend more time in it.

*Based on *Ward's* Small Pickup segmentation. When properly equipped. Excludes other Chrysler LLC-designed vehicles and sport-utility trucks.



Dakota Laramie Extended Cab in Medium and Dark Slate Gray two-tone leather trim.

 Visit dodge.com/dakota/interior to see Dakota features in motion.



1



2

LIFE IS GOOD IN LARAMIE.

Check out this Dakota Extended Cab with Laramie interior, with all-new two-tone seats in leather trim and redesigned interior. Dark Slate Gray contrasts with Medium Slate Gray, accenting the seats, door trim panels, steering wheel, and instrument panel.

1 DUAL POSITION TAILGATE. Nothing about Dakota is average. Our designers even did a one-up on the tailgate design. It offers multiple openings, making it easier to load, unload, and carry your cargo.* **2 YES ESSENTIALS® SEAT FABRIC†.** Simply prefer the feeling of cloth? YES Essentials stain-resistant, odor-resistant, anti-static seat fabric takes worry out of the equation. Select Dakota interiors featuring available seats of YES Essentials give you room to maneuver — and hopefully keep your Dakota interior as clean as your driving record. YES Essentials fabrics allow you to simply wipe off what shouldn't be on. Now standard on SLT and TRX/TRX4, and Sport.

*Properly secure all cargo. †Not compatible with aftermarket fabric-protecting coatings.



Dakota Crew Cab, featuring Laramie leather-trimmed interior in all-new two-tone combination of Dark and Light Khaki. Visit dodge.com/dakota/interior to see Dakota features in motion.



YOU'LL LOVE THE CREW-SIZE CAB. EVEN WHEN YOU'RE OUT ON YOUR OWN.

So you're riding in style — with lots of extras to choose from. For even more comfort, go for the available, heated, leather-trimmed seats. In fact, heated front bench seating is now available in both cloth and leather treatments — proof that you'll find it all in Dakota.

1 SEE THE SKIES — IN DAKOTA. The available sunroof for Dakota adds some natural light to an already impressive cabin. Power sunroof is factory-installed for outstanding fit and finish. (crew cab only.) **2 NEW UNDER-SEAT STORAGE.** Dakota Crew Cab models were redesigned to give you more room for storage — and even the convenience to take it with you. The new removable under-seat storage system includes two collapsible storage bins when you need to organize your stuff. The bins lock in place, and fully remove for convenience at work and play.



Dakota Sport in all-new two-tone Medium and Dark Slate Gray.
Visit dodge.com/dakota/interior to see Dakota features in motion.

DAKOTA. WHERE TECHNOLOGY GETS THE LOOKS.

NEW BRIGHTER, SATIN SILVER BEZEL HIGHLIGHTS. It's a look that is unmistakably the redesigned '08 Dodge Dakota: a touch of brightwork in an interior that means business.

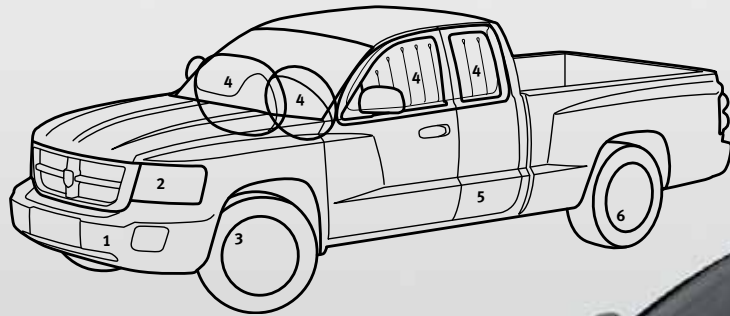
DISTINCTIVE DRIVER-ORIENTED INSTRUMENTATION. Dakota features easily accessible controls and an available MyGIG® Multimedia Infotainment System with Navigation* that includes a 6.5-inch LCD touch screen. **WHITEFACE GAUGES WITH UNIQUE BLUE/GREEN LIGHTING.** Analog gauges for critical driver information — speedometer, tachometer, fuel level — are marked in crisp white backgrounds with dramatic pointers. **AVAILABLE LEATHER-WRAPPED STEERING WHEEL.** Touches of leather on the steering wheel are Dakota through and through: gentle on the hand, rugged to the eye. Leather-wrapped wheel comes packaged with the steering wheel-mounted audio controls. **MP3-FRIENDLY ENGINEERING.** Stash your MP3 player in the specially designed holder and rock out to your favorite tunes mile after mile. **MYGIG®.** The available touch-screen MyGIG Multimedia Infotainment System with Navigation is nothing less than the greatest advance in car audio systems since the CD player. MyGIG is a segment*-exclusive innovation that revolutionizes in-vehicle communications by bundling entertainment, information and communication. It combines navigation with real-time traffic updates via SIRIUS® Satellite Radio. UConnect® Hands-Free Communication, a Voice Memo Recorder, and multiple ways to save and play back music and high-quality audio are among its most impressive features. MyGIG features a 20GB hard drive for storing photos and more than 1,000 digital music files, playlists, maps, points of interest and more.


*MyGIG in-dash DVD capability is not available in all states. See your dealer for details. *Based on *Ward's* Small Pickup segmentation. When properly equipped. "SIRIUS" and the SIRIUS dog logo are registered trademarks of SIRIUS Satellite Radio Inc. All other trademarks, service marks and logos are the property of their respective owners. For full terms and conditions, visit sirius.com. Prices and programming are subject to change. Not available in AK and HI.



1 INTEGRATED MUSIC JUKEBOX. This function gives you the capability to rip and store music to MyGIG® via CD or USB, support for Gracenote® Music File Management and more. **2 SCREEN SAVER.** From your uploaded pictures, choose your favorite and make it your MyGIG customized screen saver. **3 LCD MONITOR.** A 6.5-inch touch-screen LCD monitor with full-color enhanced graphics lets you move seamlessly through MyGIG functions.

UCONNECT® AND SIRIUS®. Go high-tech with an available UConnect voice-activated, hands-free communication system and SIRIUS Satellite Radio, which delivers over 130 channels, including 100% commercial-free music, sports, news, talk, entertainment, traffic and weather. Factory-installed SIRIUS Satellite Radio includes a one-year subscription. For more information, go to sirius.com.



 Visit dodge.com/dakota/safety_security to see Dakota features in motion.

SAFETY AND SECURITY — THE DAKOTA WAY.

Inside and out, Dodge Dakota offers engineering and design that focus on your safety and security. Among the best assets:

1 ENERGY-ABSORBING OCTAGONAL FRONT FRAME RAIL TIPS. These replaceable tips reduce impact energy by collapsing rearward in a controlled manner in the event of a front impact. This lessens the transferred force that could reach the driver. **2 AUTOMATIC HEADLAMPS.** It is a standard feature on all Laramie trim levels: when switched to the automatic position, headlamps will turn on at dusk and off in the daylight. **3 ANTILOCK BRAKE SYSTEM (ABS).** Rear-wheel antilock brakes are standard on the '08 Dodge Dakota. The outstanding available 4-wheel antilock brake system (ABS) is paired with rack-and-pinion steering to help Dakota provide excellent maneuvering and stopping. **4 FRONT AND SIDE-CURTAIN AIR BAGS*.** Another advantage when it comes to Dakota: an advanced multistage front air bag* system is standard on all Dodge Dakota models — with available supplemental side-curtain air bags* included with the Extra Security Package, further protecting both front and rear outboard occupants. **5 FULLY BOXED HYDROFORMED LADDER FRAME.** A fully-boxed frame delivers a smoother, more comfortable, and quieter ride, while contributing to impressive stiffness, strength, durability and NVH (noise, vibration and harshness) control. **6 TIRE PRESSURE MONITORING SYSTEM.** Tires are first in line when it comes to steering and handling — and properly inflated tires are instrumental to obtaining peak mileage and fuel economy. The Tire Pressure Monitoring Warning Lamp is standard, communicating a clear, visible alert on the instrument cluster when the tire pressure is low.

*Always sit properly in the seat with the seat belt fastened. Children 12 and under should always be in a backseat correctly using an infant or child restraint system or the seat belt positioned correctly for the child's age and weight.



DAKOTA SPORT CREW CAB

BRILLIANT BLACK CRYSTAL PEARL

DAKOTA TRX EXTENDED CAB

SUNBURST ORANGE PEARL

DAKOTA TRX4 CREW CAB

DETONATOR YELLOW

DAKOTA LARAMIE CREW CAB

INFERNO RED CRYSTAL PEARL

68.1"

218.5"

131.3"

76.0"

218.5"

68"

131.3"

76.4"

DAKOTA SLT EXTENDED CAB

FLAME RED

ST

When it comes to standard equipment, your move to Dakota is rewarded with premium assets. Start with the 3.7-liter V6 engine mated to a Getrag 6-speed manual transmission. Also available is a 4-speed automatic, both riding on 16" x 7" styled steel wheels. Inside you'll find an AM/FM/MP3 stereo with single-disc CD player and auxiliary input jack, cloth seats, full center console with storage, advanced multistage driver and front-passenger air bags, black instrument-panel bezel and air conditioning. Mechanical advantages include front disc/rear drum brakes with rear-wheel ABS and, on four-wheel-drive models, electronic part-time 4WD system with 4LOCK, 4LOW, and neutral. Manual 5" x 7" exterior mirrors, fixed rear window, Dark Slate Gray front fascia and rear bumper, chrome grille with black honeycomb insert.

SXT

In addition to the standard equipment of Dakota ST, SXT models include the following features: standard 16" x 8" cast-aluminum wheels and power 5" x 7" exterior mirrors. Interior features include power locks and windows with driver one-touch, speed control, tilt steering column, and floor mats.

SLT

Includes the standard gear of Dakota SXT, with the following additions: available 4.7-liter V8 with Flex Fuel capability matched with a 5-speed automatic. Overhead console including compass, temperature, universal garage door opener and trip computer. Full Swing™ rear door on Extended Cab models, body-color front fascia and rear bumper, fog lamps, premium instrument panel bezel, pickup box utility rails, monotone YES Essentials® Seat Fabric, power 6-way driver seat with manual lumbar support, rear-seat flip-up cushion storage (on crew cab only), security alarm, Sentry Key®, SIRIUS® Satellite Radio and rear sliding window.

TRX/TRX 4

Includes the standard gear of the previous trim level, with the following additions: Distinguishing factors include Silver-accented grille with black honeycomb insert, Black headlamp bezel with accent trim and tow hooks, Jet Black fender flares and bodyside molding. Rear antispin differential. 16" x 8" unique painted cast-aluminum wheels. Available full-time shift-on-the-fly transfer case, skid plates for the fuel tank, transfer case, and front suspension. Inside, look for all-new two-tone YES Essentials® Seat Fabric.

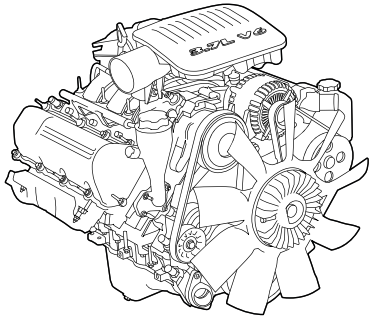
SPORT

Includes the standard gear of Dakota SLT, with the following additions: 3.7-liter V6 with 4-speed automatic, or available 4.7-liter Flex Fuel V8 with 5-speed automatic transmission. Body-color grille with chrome billets, Satin Silver instrument panel bezel, seats with either unique Slate Gray or Red inserts, and a leather-wrapped steering wheel with audio controls. Rear antispin differential.

LARAMIE

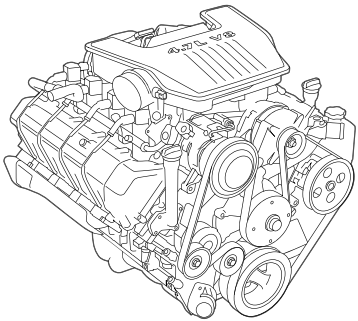
Includes the standard gear of Dakota SLT, with the following additions: 4.7-liter Flex Fuel V8 with 5-speed automatic. Remote start. Under-the-rail bedliner, chrome rear bumper, chrome grille with chrome billets, chrome bodyside molding and automatic headlamps. AM/FM/MP3 radio with integrated 6-disc CD/DVD changer and auxiliary input jack. Rear antispin differential.

DAKOTA ENGINES



3.7-LITER MAGNUM® V6

The standard engine for Dakota generates a solid 210 horsepower @ 5,200 rpm and 235 lb-ft of torque @ 4,000 rpm, with reliability proven through extensive testing and use.



4.7-LITER FLEX FUEL V8

The new engine for 2008 Dodge Dakota enables you to utilize either conventional gasoline or E85 ethanol — or any combination of the two. This engine produces more power than the previous version — 302 horsepower @ 5,650 rpm, and 329 lb-ft of torque @ 3,950 rpm — with no compromise in displacement.

DAKOTA WHEELS



1



2



3



4



5



6



7



8

1 16" x 7" styled steel wheel, standard on ST

2 16" x 8" painted cast-aluminum wheel, standard on SXT, SLT and Laramie

3 16" x 8" unique painted cast-aluminum wheel, standard on TRX/TRX4

4 17" x 8" cast-aluminum machined wheel, standard on Sport

5 18" x 8" chrome-clad aluminum wheel, available on SLT and Laramie

6 18" x 8" Black painted cast-aluminum wheel, available on Sport

7 18" x 8" 5-spoke cast-aluminum chrome wheel (Dodge accessory)

8 18" x 8" 5-spoke cast-aluminum with Black painted pockets (Dodge accessory)



THE 2008 DODGE DAKOTA INCLUDES A LIFETIME POWERTRAIN LIMITED WARRANTY.

See dealer for a copy of limited warranty and details. No deductible. Non-Transferable. Not available on SRT, diesel and certain fleet vehicles.

DAKOTA SXT CREW CAB
MINERAL GRAY METALLIC

DAKOTA ST EXTENDED CAB
BRIGHT WHITE

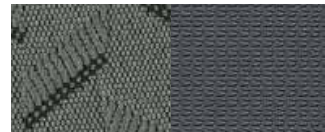
DAKOTA LARAMIE EXTENDED CAB
BRIGHT SILVER METALLIC



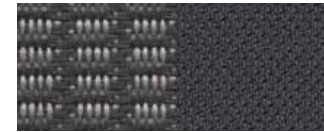
DAKOTA LARAMIE CREW CAB
ELECTRIC BLUE PEARL

DAKOTA COLORS AND FABRICS

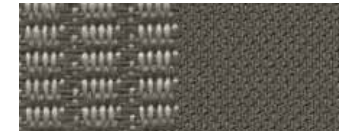
EXTERIOR COLOR	ST	SXT	SLT	TRX/TRX4	SPORT	LARAMIE
BRIGHT SILVER METALLIC	A	A (B)	B	D	E (F)	G
BRIGHT WHITE	A	A (B)	B, C			G, H
BRILLIANT BLACK CRYSTAL PEARL	A	A (B)	B, C	D	E (F)	G, H
DETONATOR YELLOW			B	D	E	
ELECTRIC BLUE PEARL	A	A (B)	B	D	E	G
FLAME RED	A	A (B)	B, C	D	E (F)	G, H
INFERNO RED CRYSTAL PEARL	A	A (B)	B, C			G, H
MINERAL GRAY METALLIC	A	A (B)	B			G
SUNBURST ORANGE PEARL			B, C	D	E	G, H



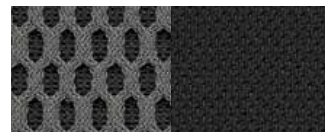
Trexx/Kristy Cloth
A Medium Slate Gray



Billings and Racine Cloth with YES Essentials®
B Medium Slate Gray



Billings and Racine Cloth with YES Essentials®
C Medium Khaki



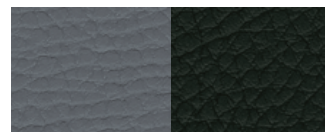
Canyons and Racine Cloth with YES Essentials®
D Slate Gray Two-Tone



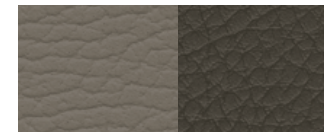
Alias Cloth/Royale Vinyl
E Slate Gray Two-Tone



Alias Cloth/Royale Vinyl
F Red/Dark Slate Gray Two-Tone



Sutton Leather Trim/Sutton Vinyl
G Slate Gray Two-Tone



Sutton Leather Trim/Sutton Vinyl
H Khaki Two-Tone

DAKOTA BUYER'S GUIDE

FEATURES COMMON ACROSS ALL TRIM LEVELS

AIR BAGS ⁽¹⁾ — Advanced multistage driver and front-passenger
AIR CONDITIONING — Manual temperature control
ALTERNATOR — 136-amp
AXLE — Front, 205-mm ⁽²⁾ — Rear, 8.25 (not available on 4x2 models with 4.7L Flex Fuel V8 engine)
BRAKE/PARK INTERLOCK — Automatic transmission only
BRAKES — Front disc/rear drum with rear-wheel ABS
CARPETS — Front and rear seat area
ENGINE CONTROLLER — Next generation
GLASS — Deep-tint sunscreen on rear windows — Tinted front door and windshield
HOOKS — Rear seat, grocery bag ⁽³⁾
JACK — Scissor-type
LAMPS — Map/dome reading
MIRRORS, INTERIOR — Rearview day/night
POWER OUTLET — 12V auxiliary, instrument panel
SEATS — Front, bucket — Rear 60/40 folding ⁽⁴⁾
STABILIZER BAR — Front
SUN VISORS — Passenger side with mirror
TAILGATE — Dual position
TIP START — Quick start, prevents double starts, preserves battery, ignition and gear life
TIRE PRESSURE MONITORING SYSTEM
TRAILER TOW WITH 4-PIN WIRING HARNESS
TRANSFER CASE ⁽²⁾ — NV233HD(V8)/ NV243GII(V6) electronic, part-time shift-on-the-fly

• = Included. P = Available within package noted. O = Optional.

⁽¹⁾ Always use seat belts. Children 12 and under should always be in a backseat correctly using an infant or child restraint system, or the seat belt positioned correctly for the child's age and weight. ⁽²⁾ 4x4 models only. ⁽³⁾ Extended Cab only. ⁽⁴⁾ Crew cab only. ⁽⁵⁾ 4x2 models only.

⁽⁶⁾ Not compatible with aftermarket fabric-protecting coatings. ⁽⁷⁾ MyGIG in-dash DVD capability is not available in all states. See your dealer for details.

PAYLOAD AND TOWING

MODEL	ENGINE	MAXIMUM PAYLOAD	MAXIMUM TOWING
Dakota Extended Cab 4x2	3.7L	1,720	4,850
	4.7L	1,520	7,050
Dakota Crew Cab 4x2	3.7L	1,630	4,750
	4.7L	1,480	7,000
Dakota Extended Cab 4x4	3.7L	1,530	4,650
	4.7L	1,280	6,800
Dakota Crew Cab 4x4	3.7L	1,440	4,600
	4.7L	1,240	6,800

Notes: 1. Payload = GVWR - Curb Wt. 2. Maximum trailer weights are rounded to the nearest 50 lbs. and Payload to nearest 10 lbs. Maximum Trailer Weights = GCWR - Curb. Wt. -150 lbs. (allowance for driver)

ENGINE AND TRANSMISSION	ST	SXT	SLT	TRX/TRX4	Sport	Laramie
3.7L MAGNUM® V6/6-SPEED MANUAL	•	•	• ⁽³⁾	• ⁽³⁾		
3.7L MAGNUM V6/4-SPEED AUTOMATIC VLP	O	O	• ⁽⁶⁾ / O ⁽³⁾	• ⁽⁶⁾ / O ⁽³⁾	•	
4.7L FLEX FUEL V8/5-SPEED AUTOMATIC			O	O	O	•
MECHANICAL						
AXLE — Rear, 9.25 (included with 4.7L Flex Fuel V8 on 4x2 models or on 4x4 models with 4.7L Flex Fuel V8 and part-time transfer case)			P	P	P	P
AXLE RATIO — 3.21:1 ⁽⁵⁾ (requires manual transmission) — 3.55:1 (included with automatic transmission)	•	•	•			
— 3.92:1 (included with Trailer Tow Group or Utility Group)	P ⁽³⁾ / • ⁽²⁾	P ⁽³⁾ / • ⁽²⁾	P ⁽³⁾ / • ⁽²⁾	• ⁽⁵⁾	•	• ⁽⁵⁾
BATTERY — 600-amp, maintenance-free with run-down protection — 750-amp, maintenance-free (included with Heavy Duty Service Group)	•	•	•	• ⁽⁵⁾	•	•
BRAKES — Front disc/rear drum with 4-wheel ABS (included with Extra Security Package)	P	P	P	P	P	P
DIFFERENTIAL — Rear, antispin (included with Trailer Tow Group or Utility Group; requires 3.55 or 3.92 axle ratio)	O/P	O/P	O	•	•	•
ENGINE BLOCK HEATER	O	O	O	O	O	O
FULL-TIME TRANSFER CASE ⁽²⁾ — NV244 GEN II electronic, shift-on-the-fly, AWD system with manual LOCK and LOW range				O	O	O
HEAVY DUTY ENGINE COOLING — Includes auxiliary in-tank transmission oil and power steering cooler (included with Heavy Duty Service Group)	P	P	P	P ⁽³⁾ / • ⁽²⁾	P	P
REMOTE START SYSTEM — Included with Premium Sound Group (requires automatic transmission)			P	P	P	•
EXTERIOR						
BEDLINER — Box, under-the-rail (included with Utility Group)	P	O	O	O	O	•
DOOR — Full Swing™ rear ⁽³⁾ (included with Convenience Group)	P	•	•	•	•	•
FASCIA — Front, Dark Slate Gray — Front, body-color — Rear bumper, Dark Slate Gray — Rear bumper, body-color — Rear bumper, chrome	•	•				
FENDER FLARES — Front and rear, Jet Black				•		
FOG LAMPS — Two integrated in front fascia			•	•	•	•
GRILLE — Chrome with black honeycomb insert — Silver-accented with black honeycomb insert — Body-color with chrome billets — Chrome with chrome billets	•	•	•			
HEADLAMPS — Automatic						•
HEADLAMPS BEZEL — Chrome with chrome trim — Black with accent trim	•	•	•	•	•	•
MIRRORS, EXTERIOR — Dual manual 5x7-inch fixed — Dual power 5x7-inch fixed	•	•	•	•	•	•

EXTERIOR (CONT.)	ST	SXT	SLT	TRX/TRX4	Sport	Laramie
MIRRORS, EXTERIOR (CONT.) — Dual power 6x9-inch folding (included with Trailer Tow Group)		P	P	P	P	P
MOLDING — Bodyside, Jet Black — Bodyside, chrome				•		•
SHOCK ABSORBERS ⁽²⁾ — Rear, extra heavy-duty				•		
SIDE STEPS — Chrome tubular, Mopar			O	O		O
SKID PLATE ⁽²⁾ — Transfer case/front suspension — Fuel tank				•		•
TIRES — P245/70R16 BSW, on-/off-road — P265/70R16 OWL, on-/off-road — P265/70R16 OWL, all-terrain — P265/65R17 BSW, on-/off-road — P265/65R17 OWL, on-/off-road — P265/60R18 BSW, on-/off-road (included with 18" wheels) — P265/60R18 OWL, on-/off-road	•	•	•			
TOW HOOKS				•		
UTILITY RAILS — Box (included with Utility Group)		P	•	•	•	•
WHEELS — 16x7-inch styled steel — 16x8-inch painted cast-aluminum — 16x8-inch unique painted aluminum — 17x8-inch cast-aluminum machined wheel — 18x8-inch Black painted aluminum — 18x8-inch chrome-clad cast-aluminum — 18x8 5-spoke cast chrome, Dodge Accessory — 18x8 5-spoke cast-aluminum with black pockets, Dodge Accessory	•			•		•
INTERIOR						
CONSOLE — Floor (includes 12V auxiliary power outlet; requires bucket seats) — Overhead with temperature, compass and trip computer	O	•	•	•	•	•
DOOR TRIM PANEL — Two-tone vinyl with map pocket — Premium, two-tone vinyl with map pocket — Premium, two-tone with map pocket and Satin Silver accents	•					
FLOOR MATS — Rubber, front and rear ⁽²⁾ — Front ⁽³⁾ — Front and rear ⁽⁴⁾			•	•	• ⁽⁵⁾	•
HOMELINK® UNIVERSAL TRANSCEIVER — Included with overhead console			P	P	P	P
HOOD INSULATION			•	•	•	•
ILLUMINATED ENTRY			•	•	•	•
INSTRUMENT CLUSTER — Includes speedometer, tachometer, engine temperature and fuel gauge	•	•				

	ST	SXT	SLT	TRX/TRX4	Sport	Laramie
INTERIOR (CONT.)						
INSTRUMENT CLUSTER (CONT.) — Includes speedometer, tachometer, engine temperature and fuel gauges with Satin Silver accent rings			•	•	•	•
INSTRUMENT PANEL BEZEL — Black	•	•				
— Alloy Silver Metallic			•	•		
— Satin Silver					•	•
KEYLESS ENTRY		•	•	•	•	•
LAMPS — Rear dome with on/off switch ⁽⁴⁾			•	•	•	•
LOCKS — Manual	•					
— Power		•	•	•	•	•
MIRRORS, INTERIOR — Rearview auto-dimming (included with UConnect [®])			P	P	P	P
POWER OUTLET — 12V auxiliary, center console (included with floor console)	P	P	P	P	P	P
SPEED CONTROL		•	•	•	•	•
STEERING COLUMN — Tilt		•	•	•	•	•
STEERING WHEEL — Luxury	•	•	•	•		
— Leather-wrapped (included with steering wheel-mounted audio controls)			P	P	•	•
— Mounted audio controls (includes leather-wrapped steering wheel; included with Premium Sound Group; requires Alpine [®] Premium Sound System)			P	P	P	•
STORAGE — Center armrest (included with front 40/20/40 split bench seat)		P	P	P		P
SUN VISORS — Driver-side	•	•				
— Driver-side with mirror			•	•	•	•
SUNROOF⁽⁴⁾ — Power with express-open and vent; requires overhead console (not available with supplemental side-curtain air bags)			O	O	O	O
WINDOWS — Manual	•					
— Driver, one-touch		•	•	•	•	•
— Rear, defroster (includes rear fixed window)		P	O	O	O	O
— Rear, fixed (included with rear window defroster)	•	•	P	P	P	P
— Rear, sliding (included with Convenience Group)		P	•	•	•	•
SEATING & TRIM						
SEATS — Standard cloth	•	•				
— Premium monotone YES Essentials [®] Seat Fabric ⁽⁶⁾		O	•			
— Premium two-tone YES Essentials Seat Fabric ⁽⁶⁾				•		
— Premium YES Essentials Seat Fabric ⁽⁶⁾ with Slate Gray inserts					•	
— Premium Seat Fabric ⁽⁶⁾ with Red inserts						O
— Two-tone leather-trimmed						•
— Front, 40/20/40 split-bench		O	O	O		O
— Manual driver's	•	•				
— Power 6-way driver's with manual lumbar adjustment (included with Premium monotone YES Essentials Seat Fabric ⁽⁶⁾)		P	•	•	•	•
— Heated front seats		O/P	O	O	O	O

SEATING & TRIM (CONT.)

SEATS (CONT.)

- Rear 40/40 split-folding⁽³⁾
- Rear seat flip-up cushion storage⁽⁴⁾

ENTERTAINMENT SYSTEMS

RADIO

- AM/FM/MP3 radio with CD player and auxiliary input jack
- AM/FM/MP3 radio and integrated 6-disc CD/DVD changer and auxiliary input jack (included with Premium Sound Group)
- MyGIG[®] Multimedia Infotainment System with Navigation⁽⁷⁾ includes AM/FM, DVD/CD/MP3 compatible player, 20GB media hard drive and auxiliary input jack (includes UConnect and SIRIUS[®])

SIRIUS SATELLITE RADIO SYSTEM — Included with Convenience Group, or with the MyGIG Multimedia Infotainment System with Navigation

SPEAKERS

- 4 total, one in each door
- Alpine Premium Sound System with 6 speakers and 276 watts of power (included with Premium Sound Group)

SAFETY & SECURITY

AIR BAGS⁽¹⁾ — Supplemental side-curtain air bags for front and rear outboard occupants (included with Extra Security Package)

SECURITY ALARM — Integrated vehicle alarm system

SENTRY KEY[®] — Antitheft engine immobilizer

UCONNECT[®] — Voice-activated hands-free communication system (includes auto-dimming rearview mirror; included with MyGIG Multimedia Infotainment System with Navigation)

PACKAGES

CONVENIENCE GROUP — Includes SIRIUS Satellite Radio, rear sliding window and Full Swing™ rear door⁽³⁾

EXTRA SECURITY PACKAGE — Includes front disc/rear drum with 4-wheel ABS and supplemental side-curtain air bags

HEAVY DUTY SERVICE GROUP — Includes Heavy Duty Engine Cooling and 750-amp maintenance-free battery (included with Trailer Tow Group)

PREMIUM SOUND GROUP — Includes remote start system on automatics, 6 Alpine speakers, leather-wrapped steering wheel mounted with audio controls, AM/FM/MP3 radio and integrated 6-disc CD/DVD changer and auxiliary input jack

TRAILER TOW GROUP — Includes a Class IV receiver hitch, 7-pin wiring harness, 750-amp battery and the Heavy-Duty Service Group, dual power 6" x 9" folding exterior mirrors, antispin differential and 3.92 axle ratio (included with Utility Group)

UTILITY GROUP — Includes Trailer Tow Group, antispin differential, 3.92 axle ratio, box utility rails and under-rail bedliner (requires automatic transmission)

ACCESSORY OPTION PACKAGES

CHROME TUBULAR SIDE STEPS

• = Standard. P = Available within package noted. O = Optional.

	ST	SXT	SLT	TRX/TRX4	Sport	Laramie
SEATS (CONT.)	O	•	•	•	•	•
ENTERTAINMENT SYSTEMS						
RADIO		•	•	•	•	•
— AM/FM/MP3 radio with CD player and auxiliary input jack		•	•	•	•	•
— AM/FM/MP3 radio and integrated 6-disc CD/DVD changer and auxiliary input jack (included with Premium Sound Group)			P	P	P	•
— MyGIG [®] Multimedia Infotainment System with Navigation ⁽⁷⁾ includes AM/FM, DVD/CD/MP3 compatible player, 20GB media hard drive and auxiliary input jack (includes UConnect and SIRIUS [®])			O	O	O	O
SIRIUS SATELLITE RADIO SYSTEM — Included with Convenience Group, or with the MyGIG Multimedia Infotainment System with Navigation		P	•	•	•	•
SPEAKERS		•	•	•	•	•
— 4 total, one in each door		•	•	•	•	•
— Alpine Premium Sound System with 6 speakers and 276 watts of power (included with Premium Sound Group)			P	P	P	•
SAFETY & SECURITY						
AIR BAGS ⁽¹⁾ — Supplemental side-curtain air bags for front and rear outboard occupants (included with Extra Security Package)	P	P	P	P	P	P
SECURITY ALARM — Integrated vehicle alarm system				•	•	•
SENTRY KEY [®] — Antitheft engine immobilizer				•	•	•
UCONNECT [®] — Voice-activated hands-free communication system (includes auto-dimming rearview mirror; included with MyGIG Multimedia Infotainment System with Navigation)				P	P	P
PACKAGES						
CONVENIENCE GROUP — Includes SIRIUS Satellite Radio, rear sliding window and Full Swing™ rear door ⁽³⁾		O				
EXTRA SECURITY PACKAGE — Includes front disc/rear drum with 4-wheel ABS and supplemental side-curtain air bags	O	O	O	O	O	O
HEAVY DUTY SERVICE GROUP — Includes Heavy Duty Engine Cooling and 750-amp maintenance-free battery (included with Trailer Tow Group)	P	P	P	P ⁽³⁾	P	P
PREMIUM SOUND GROUP — Includes remote start system on automatics, 6 Alpine speakers, leather-wrapped steering wheel mounted with audio controls, AM/FM/MP3 radio and integrated 6-disc CD/DVD changer and auxiliary input jack				O	O	O
TRAILER TOW GROUP — Includes a Class IV receiver hitch, 7-pin wiring harness, 750-amp battery and the Heavy-Duty Service Group, dual power 6" x 9" folding exterior mirrors, antispin differential and 3.92 axle ratio (included with Utility Group)		P	O	O	O	O
UTILITY GROUP — Includes Trailer Tow Group, antispin differential, 3.92 axle ratio, box utility rails and under-rail bedliner (requires automatic transmission)		O				
ACCESSORY OPTION PACKAGES						
CHROME TUBULAR SIDE STEPS			O	O		O

Chrysler Financial

With Chrysler Financial, you can get great finance options, competitive rates and flexible payment plans. Learn more about your financing benefits and even submit a credit application at chryslerfinancial.com.

REWARDS VISA

With the Dodge Rewards Visa credit card, you earn points for every purchase you make which can be redeemed for anything at your Chrysler, Jeep or Dodge dealership — all with no annual fee! Visit dodgecreditcard.com for more information on how to apply!

AUTO INSURANCE

The only insurance guaranteed to repair your vehicle using Authentic Dodge Collision Repair Parts by Mopar for as long as you own your Dodge vehicle, and up to \$100 off your deductible when those repairs are done at a Dodge dealership — all at rates that are tough to beat. For a free quote, visit www.dodgeautoinsurance.com or call 800-836-1598 and mention keycode QL9XXX.

BUSINESSLINK

If your business relies on vehicles, Dodge BusinessLink can save you time, money and hassles. For more, log on to dodge.com/businesslink or call us toll-free at 877-2THELINK (877-284-3546).

MOPAR

Enhance your Dodge Dakota with Authentic Dodge Accessories by Mopar. They're designed specifically for your vehicle, for exceptional fit, finish and performance. Visit your dealership or mopar.com.

the goods

The Dodge Goods catalog is a handpicked collection of items bearing the powerful Dodge name — from Motorsports apparel and collectible die-cast models to the latest in work and ranch wear. It's all found at dodge.com/goods. Call 877-789-DODGE (3634) for a free catalog.

Service Contracts

Your Dodge Truck is one of the most capable vehicles on the road. Why not protect your investment with a Chrysler Service Contract or Maintenance Plan? For more information, see your Dodge Truck dealer, call 1-800-442-2666 or visit servicecontracts.chrysler.com.

SIRIUS SATELLITE RADIO

SIRIUS Satellite Radio delivers over 130 channels, including 100% commercial-free music, sports, news, talk, entertainment, traffic and weather. Factory-installed SIRIUS Satellite Radio includes a one-year subscription. For more information, go to sirius.com.

ALPINE

Alpine Electronics provides high-performance automotive sound systems for audio enthusiasts that demand the best musical performance in their vehicles.

LIFETIME POWERTRAIN WARRANTY

The 2008 Dodge Dakota includes a Lifetime Powertrain Limited Warranty. See dealer for a copy of limited warranty and details. No deductible. Non-Transferable. Not available on SRT, diesel and certain fleet vehicles.

3/36 BASIC LIMITED WARRANTY

All Dodge vehicles are covered by the Chrysler LLC 3-year/36,000-mile Basic Limited Warranty. See dealer for a copy of this limited warranty. Excludes normal maintenance and wear items.

About this catalog: Since the time of printing, some of the information you'll find in this catalog may have been updated. Ask your dealer for details. Some of the equipment shown or described throughout this catalog is available at extra cost. Specifications, descriptions, illustrative materials, and all competitive comparisons contained herein are as accurate as known at the time this publication was approved for printing. Chrysler LLC reserves the right to discontinue models at any time or change specifications without notice or without incurring obligation. All options are required in combination with other options. For the price of the model with the equipment you desire, or verification of specifications contained here, see your Dodge dealer. Dodge, EVS, Mopar, MyGIG, ParkSense, Sentry Key, UConnect and VES are registered trademarks of Chrysler LLC. "SIRIUS" and the SIRIUS dog logo are registered trademarks of SIRIUS Satellite Radio Inc. All other trademarks, service marks and logos are the property of their respective owners. For full terms and conditions, visit sirius.com. Prices and programming are subject to change. Not available in AK and HI. Insurance is underwritten by member companies of American International Group, Inc. Alpine and the Alpine logo are registered trademarks of Alpine Electronics, Inc. All rights reserved. YES Essentials is a registered trademark of Milliken & Company. Bluetooth is a registered trademark of Bluetooth SIG Inc.

dodge.com » 800-4ADODGE

BUCKLE UP