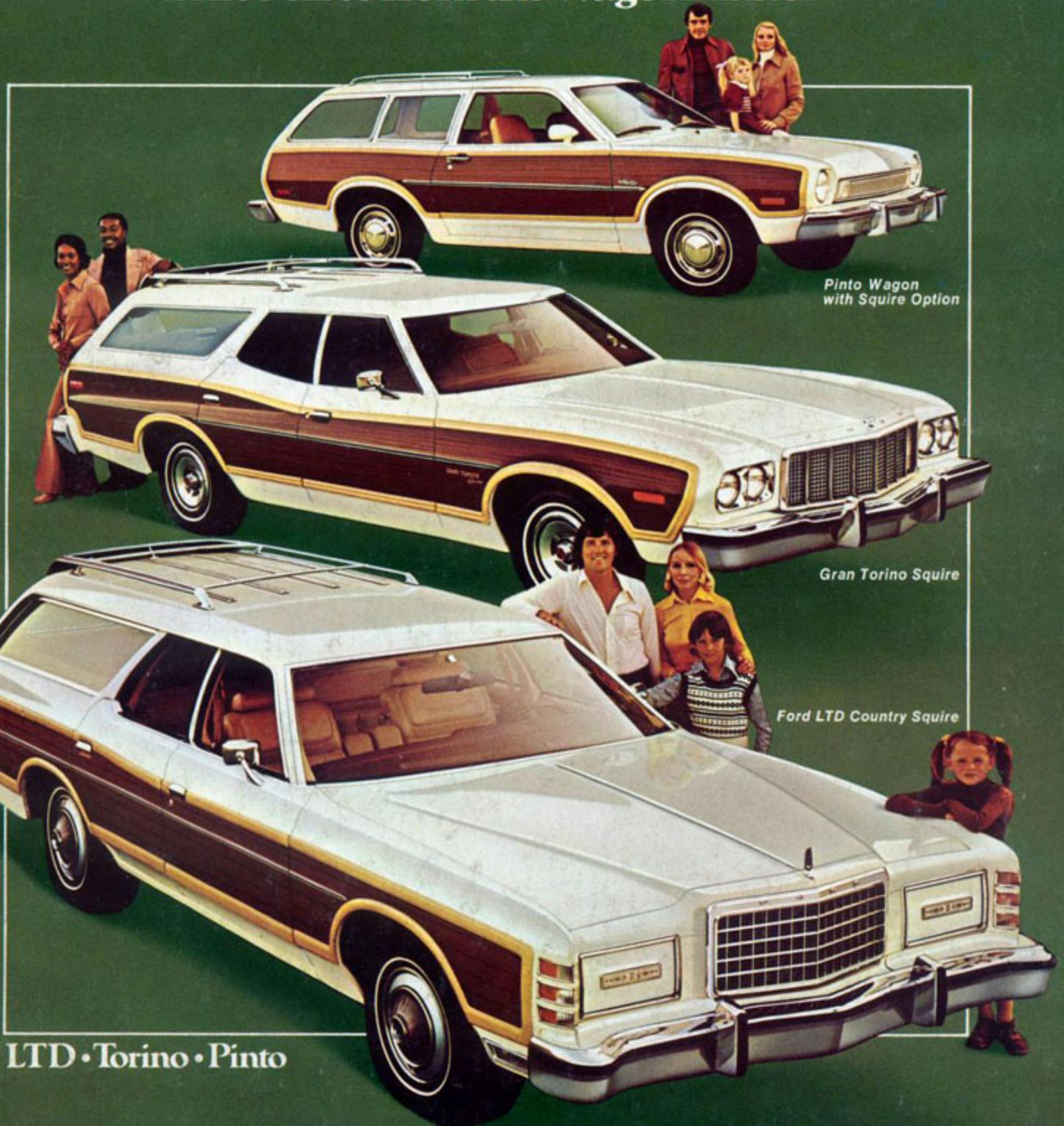


1975 Ford Station Wagons

Three sizes from the Wagonmaster



*Pinto Wagon
with Squire Option*

Gran Torino Squire

Ford LTD Country Squire

LTD • Torino • Pinto

The closer you look, the better we look.

Better wagon ideas make Ford No.1

Year after year, more families buy Ford Wagons than any other wagons in America!

That's because, year after year, Ford has introduced more of the wagon innovations that families buy wagons for: Innovations that add convenience, comfort, capacity and utility.

We know families come in all different sizes, so we build a practical size Ford Wagon for every family. There are the big standard-sized Ford LTD Wagons . . . the solid mid-size Torino Wagons . . . and our popular little economy wagon, Pinto.

Here are some of the better wagon ideas that have made Ford Wagons number one sellers in America . . .

Roomy Interiors—With Seating up to Eight! Most wagon owners spend a lot of time in their wagons, so we spend time trying to make Ford Wagons comfortable and livable for you and your family. Rich-looking all-vinyl trim is easy to care for. Seats are wide and designed for roomy 6-passenger comfort (4-passenger in Pinto). You can seat *eight* in LTD's and Gran Torino Wagons with optional 3rd seats, shown at right.

Ford's Famous 3-Way Doorgate opens like a door with window up or down, or like a tailgate for added loading convenience. It's standard on LTD's and Torino Wagons. Pinto comes with easy-operating full liftgate.

Carpeted Load Floor comes standard in *all* Ford Wagons—even our low-priced Pinto.

More Standard Features for 1975. Items like steel-belted radial ply tires and solid state ignition (now standard on *all* Ford Wagons). Driving conveniences like power steering, power brakes and automatic transmission (now standard on Torino Wagons as well as LTD's, optional on Pinto).

Plenty of Engine Choices. We know that uses and power needs of wagon owners vary widely, so we give you plenty of engine choices: Five engines in all—from Pinto's gas-stingy 2300-cc. 4-cylinder and 2800-cc. V-6, all the way up to the big 460 CID 4V V-8.

Low Cost of Ownership. All Ford Wagons are scheduled for 5,000 miles between oil changes, and 30,000 miles between major chassis lubes. Other great service savers include 3-year engine coolant/antifreeze*, solid state ignition (no need to replace points or condenser), self-adjusting brakes, zinc-coated underbody parts, a long-life muffler and battery. Make sure your next wagon is as service-free as a Ford Wagon!



Safety Features That Let You Drive in Confidence. All Ford Wagons are built with Ford's Lifeguard Design Safety Features, including side door beams, protective bumper system, and many others. The Infant Safety Carrier and Tot-Guard Seat, shown here, are the latest safety items available from your Ford Dealer. Ask about them. We care about you and those you care about.

*35 or 40 months as indicated on decal in glove box.



Easy cargo conversion, another fine Ford Wagon feature. Seat converts easily to load floor in mere seconds.

Generous loadspace. Standard interiors of LTD's and Torino Wagons take 4' x 8' plywood flat between wheelhousings.

Lockable below-deck stowage provides extra cargo space, keeps valuables out of sight. Standard LTD's and Torino Wagons.



Pinto Wagon with Squire Option in Dark Red (Code 2M).



Gran Torino Squire in Pastel Yellow (Code 6D).



Ford LTD Country Squire in Tan Glow (Code 5U) with Tan vinyl roof.

We invite you to look through this book carefully and find out more about our new 1975 Ford Wagons. Then see your Ford Dealer and test-drive the one that's best for you and your family's needs.

The closer you look, the better we look.

FORD LTD WAGONS

They set the standard for all other wagons.

Meet our newly styled standard-size Ford Wagons: The prestigious new Ford LTD Country Squire . . . and the Ford LTD Wagon. These magnificent station wagons bring you a level of plushness and comfort that's hard to believe in a wagon package.

A 400 CID V-8 with solid state ignition is standard. So are SelectShift Cruise-O-Matic, power brakes and steering, power ventilation, power tailgate window and other fine features (see back cover). For 1975, a new optional Extended Range Fuel Tank adds over 8 gallons to the base tank for longer cruising range.

Spacious 6-passenger interiors are finished in richly tailored all-vinyl trim and cut-pile carpeting. With optional Dual Facing Rear Seats, you can turn your LTD into an 8-passenger luxury wagon. LTD Wagons give you nearly 8 feet of carpeted load floor and 94.6 cu. ft.* of cargo volume (over 100 cu. ft.* counting lockable below-deck stowage). Handy 3-Way Doorgate works like a door or a tailgate.

Besides its classic woodgrain vinyl trim, our popular Country Squire model this year is distinguished by the distinctive concealed headlamp styling of Ford's exciting new LTD Landau Hardtops. High-style options like the Squire Brougham and Landau Luxury Group are also available with many others listed on page 10.

(A) The Elegant New LTD Country Squire. Note the stately new front-end styling with hidden headlamps, handsome woodlike paneling, and other distinctive Squire trim. Pastel Yellow (Code 6D).

(B) LTD Wagon, a perfect combination of prestige and practicality. Has many fine "Sedan" comfort features. (See back cover.) Dark Blue Metallic (Code 3G).

(C) With the New Landau Luxury Group, you attain Ford's highest level of wagon luxury. Split bench seats trimmed in glove-soft vinyl, plush shag carpeting, digital clock and other outstanding prestige-car appointments (full details page 10). Shown in Tan (MU).

(D) Standard Interiors are finished in pleated vinyl that's long-wearing and easy to clean. This cutaway view shows you the kind of spaciousness you can enjoy in our Country Squire and LTD Wagon. Optional Dual Facing Rear Seats let you add more passengers. And our Recreation Table (another Ford option exclusive) is a favorite of youngsters and a great time-passer on long trips. Green (Code EG).

(E) Luxurious Squire Brougham Interior includes split bench seats with fold-down armrests, a passenger seat recliner and many more fine Brougham touches. Brougham Option also available on our LTD Wagon model (see "Options," page 10). Shown here with optional DuraWeave vinyl trim in Tan (NU).

(F) Convenient Spare Tire Extractor is standard, makes spare tire removal easy.

*Cargo volume index.



TORINO WAGONS

Mid-sized, mid-priced—with many fine standard-size wagon features.

Ford Torino Wagons have always been a great value. But this year they come to you with more standard features than ever before: Fuel-saving, steel-belted radial ply tires. Solid state ignition. Power steering. Power front disc brakes. Automatic transmission. A bigger 351 CID V-8—and more.

Torino Wagons pack plenty of cargo, too. And Torino's 3-Way Doorgate makes it 1-2-3 easy! With over 7 feet of carpeted load length, Torino gives you 84.9 cu. ft.* of cargo volume above deck, 8.1 cu. ft.* of lockable stowage area below.†

Three models to choose from: Torino Wagon, lowest priced in the line . . . the popular Gran Torino Wagon . . . and the top-of-the-line Gran Torino Squire with woodlike trim and other special luxury touches.

Roomy Torino Wagons seat six—or eight with the optional Rear Facing Third Seat. And just about any option you might want is available on our 1975 Torino Wagons, including two optional V-8's and the luxurious Squire Brougham Option (see "Options," pgs. 10-11). Test-drive a mid-size Torino Wagon today. You'll find they give you a full measure of what you want in a wagon.

(A) Gran Torino Squire, top-of-the-line Torino Wagon with classic Squire styling. Whitewall steel-belted radial tires and full wheel covers come standard. Saddle Bronze Metallic (5T).

(B) Gran Torino Wagon shown in Dark Yellow Green Metallic (4V), one of 14 exterior finishes available for 1975. Bright moldings on wheel lip, rocker panel and tailgate window are standard.

(C) Torino Wagon, our budget-priced mid-size in Pastel Blue (Code 3Q).

(D) Squire Brougham Option. Inside it features deep-pleated Super-soft vinyl split-bench seat with dual armrests, extra-thick cut-pile carpeting, electric clock (see pg. 10). Outside you get unique stand-up hood ornament and deluxe wheel covers. Saddle (Code GZ).

(E) Torino All-Vinyl Interior trimmed in choice of Green (Code AG) shown, Blue or Tan. Comes with color-keyed 12-oz. cut-pile floor carpeting.

(F) Full 6-passenger comfort—with seating for eight with optional Rear Facing Third Seat. Pleated all-vinyl trim, standard in Gran Torino and Squire models, shown here in Blue (CB).

(G) Below-Deck Stowage adds another 8.1 cubic feet* of loadspace† to your Torino Wagon. Standard in all models.

*Cargo volume Index.

†Slightly less with optional Rear Facing Third Seat, available on Gran Torino and Squire models.



PINTO WAGON

**Best-selling wagon of all
-big or small!**

Here's why: Like all our subcompact Pintos, it's designed to keep cost of ownership low. Like all Ford Wagons, it packs plenty of cargo, comfort and value. Seats four big adults comfortably (two with 2nd seat down).

Here's what we mean about value: New standard-equipped steel-belted radial ply tires. Solid state ignition. Sporty bucket seats. Color-keyed carpeting throughout—even on the cargo deck. Precise rack and pinion steering and front disc brakes. (Power steering and power brakes are new options for '75.) A thrifty standard 2300-cc. 4-cylinder engine with standard 4-speed floor shift. (Floor-mounted Select-Shift Cruise-O-Matic optional.) For added power, you can choose an optional 2800-cc. V-6 and SelectShift Cruise-O-Matic.

Pinto Wagons have the kind of convenience and usefulness you'd expect from any Ford Wagon. A fold-down rear seat and full flip-up rear gate that opens into 57.6* cubic feet of cargo area. And hard-wearing, easy-to-clean all-vinyl interiors.

You can keep Pinto Wagon basic or dress it up with options like the beautiful Squire Option or Luxury Decor Group shown here. See pages 10 and 11 for other ways to turn your Pinto Wagon into something special. Why not make your next wagon (or next economy car) a Pinto Wagon? Lots of people do.



B.



A.

(A) Pinto Wagon with Popular Squire Option. Big wagon luxury at a basic little Pinto price. Exterior includes woodlike body paneling and full wheel covers. See page 10. Medium Copper Metallic (5M).

(B) Standard Pinto Wagon with optional Exterior Decor Group (see page 10) shown here in Light Green Gold Metallic (Code 4Z). Top-hinged liftgate opens wide, makes Pinto's carpeted cargo area easy to reach, features new "open" warning light for added safety.

(C) Standard Pinto Interior has smart all-vinyl bucket seats up front, surprising room in the rear for passengers or cargo. Seats four comfortably, provides over 57.6* cu. ft. of loadspace with 2nd seat down. Illustrated in Blue vinyl (AB), one of four colors offered.

(D) Luxury Decor Group Interior is part of a glamorous interior/exterior dress-up package. Includes choice of deluxe houndstooth cloth and vinyl or pleated all-vinyl trim, and more. See page 10 for complete Luxury Decor Group details. Shown here with optional DuraWeave trim in Green (FG).

(E) Easy Loading Cargo Area. With second seat down, there's almost six feet of carpeted load length.

(F) Squire Interior, shown in Tan super-soft vinyl (Code CU), comes in choice of pleated all-vinyl or in deluxe houndstooth cloth and vinyl. For full list of Squire Option features, see page 10.

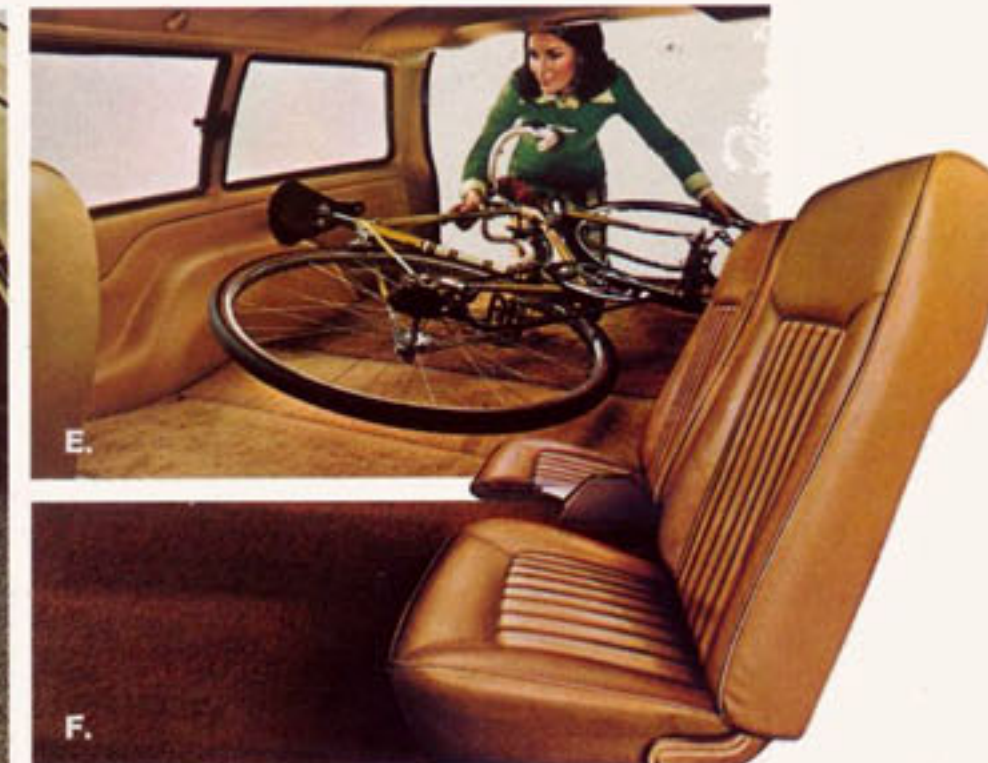
*Cargo volume index.



C.



D.



E.



F.

OPTIONS

to help your Ford Wagon do more, be worth more.

Option Availability Code:

(F) = Ford LTD and/or LTD Country Squire

(T) = Torino Wagon, Gran Torino Wagon and Gran Torino Squire (or selected models within this group)

(P) = Pinto Wagon

N.A. = Not available

For your convenience, each option is coded to indicate option availability by Wagon line. Example:

Luggage Rack, Roof: (F)-(T)-(P)—

This means that a Roof Luggage Rack is offered on all Ford Wagons: the LTD, Torino and Pinto lines.

Because of limited space, we are unable to describe many options in detail. Your Ford Dealer will be happy to give you complete information on any Ford option you're interested in.

DRESS-UP OPTIONS

Cargo Area, Deluxe: (F)—(Shown below.) Includes padded quarter trim panels with carpeting on lower portion, and lockable 1.8-cu. ft. side stowage compartment.



Decor Group, Exterior: (P)—Includes bright wheel lip and rocker moldings, black insert bodyside moldings, and wheel covers.

Landau Luxury Group: (F)—(See pages 4-5.) **Exterior:** Includes Deluxe Bumper Group, front cornering lamps. **Interior:** Includes Convenience Group, Light Group, split bench seats with manual passenger recliner, super-soft vinyl upholstery in luxury sew style, 22-oz. shag carpeting, front seatback assist straps, burl walnut instrument panel woodtone applique, bright seat side shields, luxury door and quarter trim panels with cut-pile carpet on lower door, door pull straps, dual rear seat cigar lighters (when ordered with power windows only), digital clock, luxury steering wheel, super sound package. Available Country Squire only.

Luxury Decor Group: (P)—**Exterior:** All items in Exterior Decor Group, above. **Interior:** Vinyl trim with choice of pleated hounds-tooth cloth or pleated vinyl inserts, deluxe door trim panels, color-keyed deluxe belts, front seat cigar lighter and rear seat ash tray, instrument panel woodtone applique, bright parking brake with woodtone grip and color-

keyed boot, woodtone shift knob, multi-directional vent registers, passenger-side door courtesy light switch and deluxe steering wheel with woodtone inserts.

Moldings, Vinyl Insert Bodyside: (F)-(T)-(P)—Designed to coordinate with woodgrain exterior finish on Squires. Standard on LTD Wagon.

Paint, Metallic Glow: (F)-(T)-(P)—Available in Ginger Glow (N.A. Pinto), Silver Blue Glow, Green Glow and Tan Glow.

Paint Stripes, Dual Accent: (F)—Brighten exterior with dual color stripe along fender peaks and belt line. Available LTD Wagon model only.

Roof, Vinyl: (F)—Top off your LTD Wagon or Squire in high style with a rich-grained vinyl roof. Choice of Brown or Tan.

Seat Belts, Color-Keyed Deluxe: (F)-(T)-(P)—Standard on Gran Torino Squire, LTD Brougham Options, and Pinto Wagon with Squire Option, Convenience Group and Sports Accent Group.

Sports Accent Group: (P) **EXTERIOR:** WSW tires (optional raised white letter tires also available), trim rings with styled-steel wheels, wide bright wheel lip moldings, grille badge, rocker panel moldings. (With Squire Option, delete wheel lip rocker panel and vinyl insert bodyside moldings.) **INTERIOR:** Vinyl trim and cloth seat inserts, 22-oz. shag carpeting on floor (14-oz. non-woven on cargo floor), deluxe door trim panels, leather-wrapped deluxe 2-spoke steering wheel, multi-directional vent registers, front cigar lighter, rear seat ash tray, passenger-side door courtesy light switch, instrument panel woodtone applique, bright parking brake with woodtone grip, color-keyed deluxe belts and super sound package.

Squire Brougham Option: (F)—(See pages 4-5.) Includes split flight bench seats with reclining passenger seat, Brougham-style vinyl seat trim with bright seat side shields, Brougham door trim panels with cut-pile carpeting on lower door, courtesy lights color-keyed deluxe belts, right-hand front door armrest ash tray, rear door courtesy light switches.

LTD Wagon Brougham Option includes all above plus electric clock, deluxe wheel covers, cargo light, front and rear rocker panel extensions, dual accent paint stripes and bright pedal pad trim. (See pages 4-5.)

Squire Brougham Option (T)—(See pages 6-7.) Includes split bench front seat, super-soft vinyl upholstery and door trim panels, thick 22-oz. cut-pile carpeting, electric clock, deluxe wheel covers and stand-up hood ornament. Available Gran Torino Squire only.

Squire Option (P)—(See pages 8-9.) **Exterior:** Woodgrain vinyl paneling on bodysides and liftgate, wheel covers, "Squire" ornamentation. **Interior:** Comes with all items listed in Luxury Decor Group plus cargo area lamp.

Steering Wheel, Leather-Wrapped: (T)—Gives a sporty look, sporty feel.

Steering Wheel, Luxury: (F)-(T)—Handsome woodtone spoke. Standard on LTD Country Squire with Landau Luxury Group, on Ford LTD and Torino with Fingertip Speed Control.

Tires, Optional: (F)-(T)-(P)—See your Ford Dealer for full details on optional sizes and types, including steel-belted white sidewall and raised letter tires. (See wheel cover illustrations below.)

Trim, DuraWeave Vinyl: (F)-(T)-(P)—Looks, feels and breathes like fabric, cleans like vinyl.

Ford LTD



Full Wheel Cover (Std. Squire)

Torino



Full Wheel Cover (Std. Squire)

Pinto



Full Wheel Cover



Deluxe Wheel Cover



Deluxe Wheel Cover



Trim Ring/Hubcap



Color-keyed Wheel Cover



Luxury Wheel Cover



Styled Steel Wheel/Trim Ring

Wheels and Wheel Covers.

Each adds a distinctive touch of sportiness or high style to your new Ford Wagon. See your Ford Dealer for full details.



Aluminum Wheel

COMFORT AND CONVENIENCE OPTIONS

Air Conditioner, SelectAire: (F)-(T)-(P)—This popular option dehumidifies air as it cools. Tinted glass recommended. Also available with **Automatic Temperature Control:** (F)-(T)—Just set the desired temperature and forget it.



Clock, Digital: (F)—As dependable as it is contemporary. Quartz crystal. Standard with Landau Luxury Group.

Clock, Electric: (F)-(T)—Standard on LTD Country Squire and with Torino Squire Brougham Option or LTD Wagon Brougham Option.

Convenience Group:

(F)—Includes outside LH & RH chrome remote control mirrors, electric power tailgate lock, automatic parking brake release, interval wipers, visor vanity mirror.

(T)—Includes outside LH & RH chrome remote control mirrors, interval wipers, visor vanity mirror, spare tire extractor.

(P)—Includes outside LH & RH color-keyed remote control mirrors, inside day/night mirror, visor-vanity mirror, deluxe color-keyed belts and cigar lighter.

Cornering Lamps, Front: (F)—Work with turn signals, light up dark turns. Standard with Landau Luxury Group.

Electric Rear Window Defroster: (F)-(T)-(P)—(Illustrated top of next column.) Keeps window dry, melts ice. Includes tinted back window on LTD and Pinto models, 70-amp. alternator on LTD models.



Glass, Complete Tinted: (F)-(T)-(P)—Cuts down on glare and squint; recommended with air conditioning.

Light Group: (F)-(T)-(P)—LTD, Torino and Pinto models include cargo light, parking brake warning light, engine compartment light, headlight "lights on" warning buzzer; LTD models also include vanity mirror; LTD and Torino models in addition include instrument panel courtesy light, rear door courtesy light switches, dual beam map light; Torino and Pinto models also include glove box and ash tray lights; Pinto model has passenger side door courtesy light switch and map light.

Luggage Rack, Roof: (F)-(T)-(P)—

Adds style and another place to pack cargo. LTD and Torino models have deluxe version with adjustable cross bar and integral air deflector (woodtone applique on LTD deflector); separate air deflector on Pinto rack.



Mirrors, Outside Color-Keyed Remote: (T)—Racing style LH & RH mirrors in matching body color.

Mirror, Outside Left-Hand Remote: (F)-(T)—

Adjusts from inside without lowering window. Rectangular chrome design. Included in Convenience Group.

Power Front Disc Brakes: (P)—Standard on all LTD and Torino model Wagons.

Power Seat, 6-Way: (F)-(T)—Available on all full-width bench seat models. Also available on LTD models with split bench seats either on driver side only, or on both driver and passenger side. Available on Torino models with split bench seat on driver's side only.



Power Door Locks, Electric: (F)-(T)—You lock all doors and tailgate from driver's or front passenger seat. Great safety/convenience option, especially with children.

Power Side Windows: (F)-(T)—

Another popular convenience option. Requires outside LH remote mirror at extra cost on LTD models. Includes lock-out switch.

Power Mini-Vent and Side Windows: (F)—Power windows with convenient power Mini-Vent Windows up front for quiet, draft-free ventilation. Mini-Vents roll up or down, to any position.

Power Steering: (P)—Standard on all LTD and Torino models.

Power Tailgate Window: (T)—Standard on Gran Torino Squire and all LTD models.

Radio Systems: (F)-(T)-(P)—AM and AM/FM

stereo systems available on all Wagons. AM/FM stereo includes two front door-mounted speakers and dual rear seat speakers (front door-mounted *only* on Pinto). AM/FM Monaural also available on Pinto Wagon. AM/FM stereo radio with tape player also offered on LTD and Torino Wagon models, with dual front and rear speakers.

Recreation

Table: (F)—A favorite with children. Includes magnetized checkers. Available only on models with optional Dual Facing Rear Seats.



Sound Package,

Super: (P)—Added insulation for a quiet ride.

Seat, Split Bench with Manual Recliner: (F)-(T)—(See pages 4-5.) Passenger seat back adjusts to variety of positions. Available on Gran Torino Squire with Brougham Option. Included with LTD Landau Luxury Group and with Brougham Option on LTD Wagon and LTD Squire models.

Seats, Dual Facing Rear: (F)—(Also see pages 2-3.) Adds 2 extra passengers, flips down quickly and easily for loads. Popular with children.

Rear-Facing Third Seat: (T)—Brings seating capacity in your Torino up to eight passengers. Converts to load floor in a jiffy. N.A. Torino Series.

Speakers, Dual Rear: (F)-(T)—Give your AM radio a stereo effect for very modest cost. Includes fader control.

Speed Control, Fingertip: (F)-(T)—Closely maintains selected speed without touching accelerator pedal. Includes Luxury wheel.



Steering Wheel, Tilt: (F)-(T)—Swings up for easier entrance and exit; multi-position adjustability for greater driving comfort for all members of the family.

OTHER OPTIONS:

Alarm System, Anti-Theft: (F)-(T)—Automatically sounds horn when hood, doors or tailgate are opened after system has been armed. Includes alarm, locking inside hood release, spare tire lock. (Plus locking gas cap on LTD's.)

Axle, Optional Ratio: (F)-(T)—Higher ratio designed for improved trailer towing performance. See your Ford Dealer for details.

Axle, Traction-Lok Differential: (F)-(T)-(P)—Especially valuable if you do a lot of off-road driving. Locks both rear wheels to help you get through ice, snow, mud and sand.

Battery, Heavy-Duty: (F)-(P)—Extra power, long life.

Bumper Group, Deluxe: (F)-(T)-(P)—Includes front and rear bumper guards and horizontal rub strips. LTD Wagon and Country Squire include integrated rubber step in the rear bumper guard. *Note:* Front bumper guards standard on full-sized LTD Wagons, rear bumper guards standard on Torinos.

Bumper Guards, Front and/or Rear: (F)-(T)-(P)—Also available as individual options.

Electrical System, Heavy Duty: (T)—See your Ford Dealer for details.

Fuel Monitor Warning Light: (F)-(T)-(P)—Light automatically tells you when low engine vacuum is robbing fuel.

Fuel Sentry Vacuum Gauge (F)-(T)—Designed to help you improve your driving habits and cut fuel consumption. Gauge needle alerts you when engine vacuum is robbing fuel, indicates when engine efficiency is "good" or "poor."

Fuel Tank, Extended Range: (F)—Adds 8.1 gallons, bringing total capacity in your LTD to nearly 30 gallons. Helps you go farther between fuel stops.

Load Adjuster, Automatic: (F)—Air shock absorber system automatically maintains normal level of wagon under heavy loads. Helps you ride level and maintain handling.

Lockable Side Stowage: (F)—1.8 cu. ft. additional storage space. Included with Deluxe Cargo Area.

Protection Group: (F)-(T)-(P)—Includes front floor mats (also rear mat on LTD's), door edge guards and bright license plate frames. Pinto package also includes glove box lock. *Note:* Door edge guards are deleted on Gran Torino Squire model.

Security Lock Group: (F)-(T)-(P)—Includes locking inside hood release, spare tire lock, locking gas cap.



Suspension, Heavy-Duty: (F)-(T)—For heavy loads. Includes heavy-duty springs; also includes heavy-duty shocks on LTD Wagons. Standard with Trailer Towing Packages II and III.



Trailer Hitch Platform: (F)—Requires Trailer Towing Packages Class II or III, see below.

Trailer Towing Packages, Class I, II & III: (F)-(T)—Several different Trailer Towing Packages are available on Ford LTD and Torino Wagons. They include such items as hitches, wiring harnesses, heavy-duty suspension and cooling systems. See your Ford Dealer for complete details, ask for a copy of the 1975 Ford Recreation Vehicle Catalog. Find out which package is right for your trailer towing needs.

ENGINE & TRANSMISSION OPTIONS

Engines: More power and livelier performance are yours with these optional power plants, all with solid state ignition . . . (F)-(T)—460 CID 4-barrel V-8. Includes heavy-duty battery, dual exhausts. (T)—400 CID 2-barrel V-8. Also includes heavy-duty battery. (This engine standard on all LTD Wagons.)

(P)—2800-cc. 2-barrel V-6. A brand-new optional engine for Pinto Wagons. Advanced V-6 design with overhead valves. Requires automatic transmission.

Transmissions: (P)—SelectShift Cruise-O-Matic. Lets you shift through the gears manually or automatically. Comes with T-bar floor shift. (SelectShift is standard on all Ford Torino and LTD Wagons.)

Notable Standard Features

FORD LTD WAGON

Functional: 400 CID 2V V-8 with Solid State Ignition □ 3 Speed SelectShift Cruise-O-Matic □ Power Steering □ Power Front Disc Brakes □ Gas-saving, 15-inch Steel-Belted Radial Ply BSW Tires □ Wiper-mounted Washer Jets □ Inside Hood Release □ Power Ventilation □ Heater/Defroster □ Fold-down 2nd Seat □ 3-Way Magic Doorgate □ Power Tailgate Window □ Below Deck Lockable Stowage □ Spare Tire Extractor □ Front Bumper Guards □ Ford Motor Company Lifeguard Design Safety Features, including Side Door Beams, Protective Bumper System, and many others.

Appearance & Comfort: Bench Seats with All-Vinyl Trim □ Color-keyed Cut-Pile Carpeting □ Full-length Padded Armrests □ Glove Box, Dome Lights □ Cigar Lighter □ Lighted Instrument Panel Ash Tray □ 2 Rear Ash Trays □ Removable Load Floor Carpeting □ Deluxe Steering Wheel □ Woodtone Applique on Instrument and Door Panels □ Vinyl Insert Bodyside Moldings □ Bright Belt, Drip Rail and Window Moldings □ Bright Wheel Lip and Rocker Panel Moldings □ Hood Ornament and other special LTD Ornamentation □ Bright Hub Caps.

FORD LTD COUNTRY SQUIRE—All the above with these differences: Distinctive Woodgrain Vinyl Bodyside and Doorgate Paneling (instead of wheel lip, bodyside and rocker moldings) □ Concealed Headlamps □ Unique "Landau" Upper-series Hood Ornament □ Bright Windsplit Molding □ Bright Pedal Trim and Seat Side Shields □ Cargo Light □ Electric Clock □ Wheel Covers.

TORINO WAGON

Functional: 351 CID 2V V-8 with Solid State Ignition □ 3-Speed SelectShift Cruise-O-Matic □ Power Steering □ Power Front Disc Brakes □ Gas-saving, 14-inch Steel-Belted Radial Ply BSW Tires □ Wiper-mounted Washer Jets □ DirectAire Ventilation □ Heater/Defroster □ Fold-down 2nd Seat □ 3-Way Magic Doorgate □ Below Deck Lockable Stowage □ Ford Motor Company Lifeguard Design Safety Features, including Side Door Beams, Protective Bumper System, and many others.

Appearance & Comfort: Bench Seats with All-Vinyl Trim □ Color-keyed Cut-Pile Carpeting □ Removable Cargo Floor Carpeting □ Inside Hood Release □ Bright/Argent Grille □ Bright Accents on Headlight Area □ Bright Drip Rail, Belt and Rear Quarter Window and Tailgate Window Moldings □ Hub Caps □ "Torino" Ornamentation.

GRAN TORINO WAGON—All of the above with these differences: **Appearance & Comfort:** Pleated All-Vinyl Interior □ Deluxe Sound Package □ Wheel Lip, Rocker Panel and Quarter Extension Moldings □ "Gran Torino" Ornamentation.

GRAN TORINO SQUIRE—All features listed above for Torino and Gran Torino with these differences: **Functional:** Power Tailgate Window.

Appearance & Comfort: WSW Tires □ Distinctive Woodgrain Vinyl Bodyside and Doorgate Paneling □ Bright Pedal Trim □ Deluxe Seat Belts □ Full Wheel Covers □ Squire Ornamentation.

PINTO WAGON

Functional: 2300-cc. 4-cylinder Engine with Solid State Ignition □ Fully Synchronized, 4-Speed Manual Transmission with Floor Shift □ Manual Rack and Pinion Steering □ Manual Front Disc Brakes □ Gas-saving, 13-inch BSW Steel-Belted Radial Ply Tires □ DirectAire Ventilation □ Inside Hood Release □ Flipper Rear Quarter Windows □ Fold-down Rear Seat □ Full Upswinging Liftgate with Fixed Window and Liftgate Open Warning Light □ Ford Motor Company Lifeguard Design Safety Features, including Side Door Beams, Protective Bumper System, and many others.

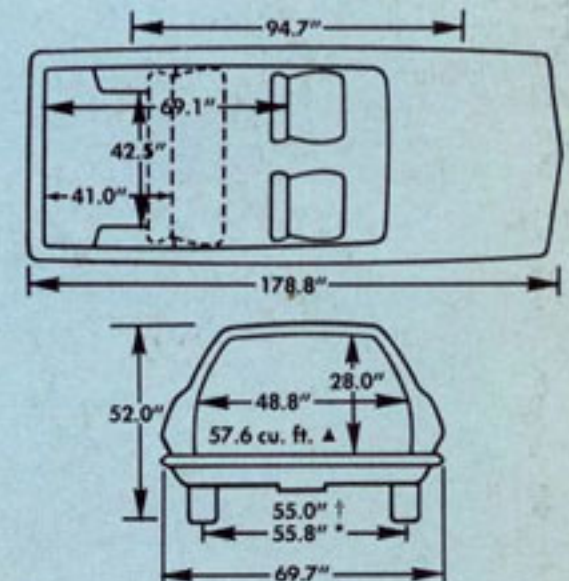
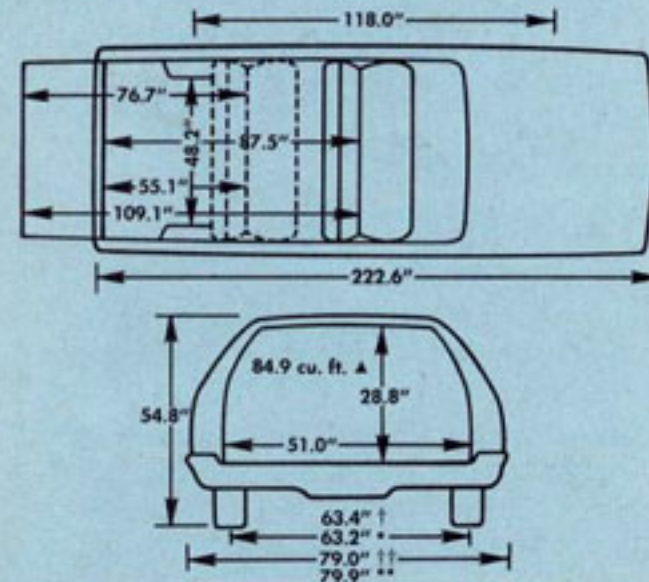
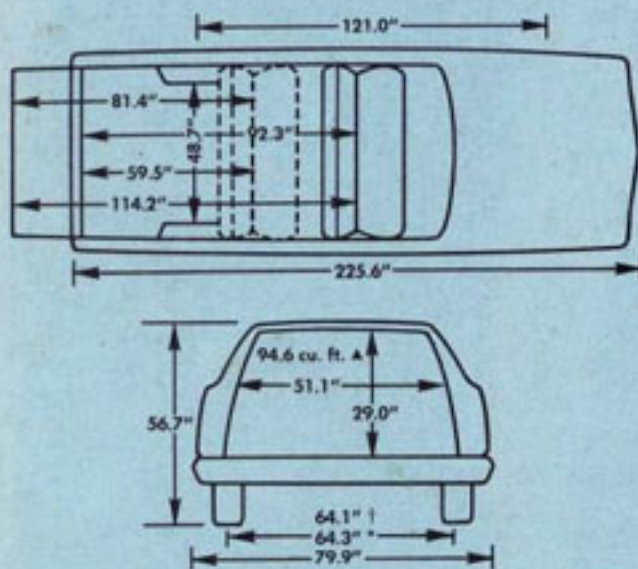
Appearance & Comfort: Comfort-contoured Front Bucket Seats with All-Vinyl Trim □ Color-keyed Floor and Cargo Area Carpets □ Illuminated Wiper/Washer and Climate Controls □ Bright Liftgate, Belt, Flipper and Rear Side Window Moldings.

SQUIRE OPTION—Includes all the above items with these differences: **Exterior:** Distinctive Woodgrain Vinyl Bodyside and Liftgate Paneling □ Full Wheel Covers □ "Squire" Script. **Interior:** Choice of Deluxe Cloth or Pleated Vinyl Seat Trim □ Deluxe Door Panels □ Deluxe 2-Spoke Steering Wheel □ Multi-Directional Vent Registers □ Cigar Lighter □ Rear Seat Ash Tray □ Passenger-side Door Courtesy Light Switch □ Woodtone Applique on Instrument Panel □ Bright Parking Brake with Woodtone Grip and Color-keyed Boot □ Woodtone Shift Knob □ Color-keyed Deluxe Belts □ Cargo Light.

MEASUREMENTS: Cargo Capacity 94.6^a cu. ft., Curb Weight 4991 lb.^b (LTD), 5039 lb.^b (Squire), Fuel Capacity 21.0 gal. (unleaded), Passenger Capacity—6 (8 w/optional Dual Facing Rear Seats).
^aPlus 9.1 cu. ft. of lockable below-deck stowage space; 5.4 cu. ft. with Dual Facing Rear Seats.
^bAdd 50 lb. for Dual Facing Rear Seats.

MEASUREMENTS: Cargo Capacity 84.9 cu. ft.^c, Curb Weight 4575 lb. (Torino)—4619 lb.^d (Gran Torino)—4659 lb.^d (Squire). Fuel Capacity 21.0 gal. (unleaded), Passenger Capacity—6 (8 w/optional Rear Facing Third Seat).
^cPlus 8.1 cu. ft. of lockable below-deck stowage space, without optional Rear Facing Third Seat.
^dAdd 22 lb. for Rear Facing Third Seat.

MEASUREMENTS: Cargo Capacity 57.6 cu. ft., Curb Weight 2789 lb.,^e Fuel Capacity 14 gal. (unleaded), Passenger Capacity—4 (2 with rear seat folded down).
^eAdd 18 lb. for Squire Option.



NOTES:

Replacement Parts. Your Ford comes with factory engineered Motorcraft battery, oil filter, shock absorbers, Autolite Powertip Spark Plugs and other Ford approved precision parts. For continued top performance, be sure to specify Motorcraft Parts and Autolite Powertip Spark Plugs whenever replacement is necessary.

For your convenience, Ford colors and interior trims are coded. Example: Polar White (9D). Your Ford Dealer will be pleased to show you actual color chips and sample swatches of vinyl roof and interior trim colors.

Illustrations and information presented were correct when approved for printing. Ford Division reserves the right to discontinue or change at any time, specifications or design without incurring obligations.

Some features shown or described are optional at extra cost. Most options are offered on all models. Some options are required in combination with other options. Availability of some models and features described may be subject to a slight delay. Always consult your Ford Dealer for the latest, most complete information on models, features, prices and availability.

The engine in your car is designed to operate on UNLEADED FUEL ONLY (cars sold in the U.S.A.). Leaded fuel can damage the catalytic converter and affect other emission control components.

- ▲ Cargo Volume Index
- † Front tread
- * Rear tread
- †† Torino and Gran Torino Wagons
- ** Gran Torino Squire

The closer you look, the better we look.

FORD
FORD DIVISION 