

1975 Ford Mustang II

Our small, sporty personal car



Mustang II Ghia with Silver Luxury Group

Hardtop • Ghia • 2+2 • Mach I

The closer you look, the better we look.

1975 Ford Mustang II. The new look of success.

Mustang II, success car last year, has done it again. With a distinctive new grille, Ghia opera windows and a classic vinyl roof plus other refinements that make Mustang a winner. Like a high level of quality and personal luxury you rarely expect in a small, sporty car.

There are four 1975 Mustang II's: Ghia, 2-Door Hardtop, 3-Door 2+2 and Mach 1. Each with an impressive list of standard features. See pages 4, 7 and 9. A new V-8 is

available. So are many other exciting options.

The closer you look, the better we look. You're invited to check the care taken to give you quality. The fit and finish of body seams, doors and trim. Uniformly lustrous paint. Snug, flat carpeting. And we urge you to test-drive Mustang II's quiet, comfort and handling — hallmarks of excellence you have to experience. For Mustang II is more than a car... it's a feeling.



Mustang II presents the Silver Ghia.

One glance at the Silver Ghia illustrated here tells you it's a classic in its own time.

Magnificence that's yours with this new Silver Luxury Group option. Included are exterior distinctions like a gleaming Silver Metallic finish (Code 1G) • a Silver Normande grain half-vinyl roof • a unique hood ornament • Cranberry tape stripes and Silver bodyside moldings.

The all-Cranberry interior (Code FH) is tailored in luxurious Media velour upholstery.

Color-keyed sun visors and headlining have a rich, cloth-like finish. And there's a handy center console. Very plush.

Note the new Glass Moonroof option. One-way glass lets you look out on the world in privacy. It all adds up to a new kind of personal motoring. And a level of elegance unusual for a small car.

Now that you've met, shouldn't you and the Silver Ghia take a spin? Make this your week to arrange it.

On Cover: Mustang II Ghia with optional Silver Luxury Group, Glass Moonroof and Cast Spoke Aluminum Wheels.

Notes: See Notable Standard Features—page 4. Other items shown are optional. See Color Code reference on back cover.

Mustang II Ghia. New small car prestige.

Quiet-riding Ghia is our answer to those who want all that Mustang II offers, plus an even higher level of luxury. As an example, these styling features are standard: a vinyl roof (half or full), new opera windows, dual paint stripes, color-keyed dual remote control mirrors, color-keyed vinyl insert bodyside moldings, deluxe spoke-style wheel covers and Ghia ornamentation.

Inside you bask amid sumptuous appointments like deluxe seat trim: Westminster cloth or Super-soft vinyl • deluxe door and rear interior quarter trim • deluxe color-keyed belts • thick shag carpeting • parking brake boot with rear ash tray • door courtesy lights, and a super sound package.

Economy is emphasized. The 2.3 Liter engine and 4-speed manual transmission are standard. You can opt for a thrifty 2.8 Liter V-6 with the 4-speed manual, or the spirited 302 CID 2V V-8 with SelectShift Cruise-O-Matic transmission. All engines have solid state ignition which needs no points or condenser replacement. You also enjoy the known economies of steel-belted radial ply tires, another standard.

So Ghia prestige is practical. Check it soon at your Ford Dealer's.

NOTABLE STANDARD FEATURES — GHIA

Functional: 2.3 Liter, 4-cylinder engine with solid state ignition • 4-speed manual transmission • Rack-and-pinion steering • Front disc brakes • Color-keyed urethane bumpers • Color-keyed deluxe bolts • Tachometer • Fuel, ammeter, temperature gauges • Color-keyed dual remote control mirrors • WSW steel-belted radial ply tires • All Ford Lifeguard Design Safety Features.

Appearance & Comfort: Low-back bucket seats with full-width headrests • Shag carpeting • Soft-vinyl headlining • Soft-vinyl and carpet door trim panels (except with White trim) • European-type armrests • Woodtone accents • Quartz crystal digital clock • Choice of Westminster cloth or Super-soft vinyl trim • Vinyl roof • Spoke-style wheel covers.

Luxurious Ghia, below, in Dark Brown Metallic (Code 5Q) and Tan half-vinyl roof. Standard Ghia interior trim choices are Westminster cloth (Blue, Dark Red or Green), and Super-soft vinyl, shown on page 9 (Blue, Black, Red, Green, Tan or White). Optional Picton velour cloth, with sew-style the same as that of standard trims, is shown at right in Tan (Code CU), and is also available in Blue, Red or Green.



Notes: See Notable Standard Features above. Other items shown are optional. Option detail on pages 10-11. See Color Code reference on back cover.



Mustang II Hardtop. Small car luxury at a welcome price.

Our 4-passenger Hardtop is the kind of fun-to-drive, personal car you buy when you want clean, classical styling. When you look for a high level of luxury—with a quiet ride you normally might not expect in a small, sporty car. When you want a 4-speed manual transmission and gas-saving, steel-belted radial ply tires—standard. And when you want it all without denting your budget out of shape.

For this Hardtop is the lowest-priced Mustang II. The interior is plush. All-vinyl bucket seats with full-width headrests. Deluxe door panels. European-type, padded armrests. Color-keyed cut-pile carpeting. An instrument panel that includes a 6000-rpm tach—fuel, ammeter, temperature gauges—and a deluxe, color-keyed steering wheel. Plus burl walnut woodtone applique accents. All standard. And just a few of many reasons why we say the closer you look, the better Mustang II looks.

The 4-speed manual transmission puts you in touch with a thrifty 2.3 Liter engine. For more action, you can order the 2.8 Liter V-6 with the 4-speed manual. And there's a spirited 302 CID 2V V-8 available with the responsive SelectShift transmission that can be controlled manually. Both optional engines have small appetites, yet deliver exhilarating Mustang performance. Other exciting new options are listed on pages 10-11.

Drive the '75 Hardtop soon. Learn how easily you can own this personal luxury car.



Mustang II Hardtop with formal roofline, classic long hood and trim deck proportions. Exterior: Bright Blue Metallic (Code 3E).

Slip into something really luxurious. And it's standard. Eminently comfortable bucket seats. All-vinyl trim. Cut-pile carpeting. Woodtone applique accents. Full instrumentation, including tachometer. Medium Blue (Code AB) shown.

NOTABLE STANDARD FEATURES—HARDTOP

Functional: 2.3 Liter, 4-cylinder engine with solid state ignition □ 4-speed manual floor-mounted transmission □ Rack-and-pinion steering □ Front disc brakes □ Color-keyed urethane-coated bumpers □ Tachometer □ Fuel, ammeter, temperature gauges □ BSW steel-belted radial ply tires □ All Ford Lifeguard Design Safety Features.

Appearance & Comfort: Low-back vinyl bucket seats with full-width headrests □ Color-keyed cut-pile carpeting □ Soft vinyl and carpet door trim panels (except when White trim is ordered) □ European-type armrests □ Bright windshield, rear window, drip, belt and center pillar moldings □ Full wheel covers.

Notes: See Notable Standard Features above. Other items shown are optional. Option detail on pages 10-11. See Color Code reference on back cover.

Mustang II 3-Door 2+2. Winning combination—practicality plus personal luxury.

2+2 combines sporty good looks and luxury with some of the practical space and convenience of a station wagon. Its big rear door swings up easily like a cargo hatch. A fold-down rear seat makes room for a cargo volume index of 28.1 cu. ft. Fastback lines, full wheel lip moldings, styled steel wheels and steel-belted radials—standard—add sporty flair.

Inside, you relax on deep-cushioned, comfortable bucket seats. All-vinyl trim, woodtone applique accents, full instrumentation lend a sporty note. And you ride quietly. Nimble handling, with surprising quickness, stems from a thrifty 2.3 Liter engine. More spirited go, economically, can be yours with the optional 2.8 Liter V-6 with 4-speed manual, or 302 CID 2V V-8 with SelectShift.

2+2. Practical luxury blend. With 3-door convenience and versatility. And for less than you probably expected to spend.

Practical 2+2 (right), with handy rear door and fold-down rear seat, in Medium Copper Metallic (Code SM), plus styled steel wheels and optional trim rings.



Mach 1 in Bright Red (Code 3B).
Racy styling says driving fun starts here. An authoritative 2.8 Liter V-6, plus 4-speed manual to back it up. What are you waiting for?

Mustang II Mach 1. Rediscover driving fun.

Look at Mach 1's racy lines and you might never guess its budget-stretching ways. Mach 1 has sporty touches like trim rings with styled steel wheels. Raised white letter steel-belted radials. Dramatic Black at the lower body side . . . lower bumpers . . . deck lid. Even Black at the paint break moldings. And useful color-keyed dual remote mirrors. All standard.

At the inside controls—the tachometer plus ammeter, fuel and temperature gauges help you keep an eagle eye on performance. Cushioned vinyl buckets, contoured for maximum support and comfort, have full-width headrests and European-type padded armrests. (See pages 6 and 7.)

A lively, fuel-conserving 2.8 Liter V-6 engine with solid state ignition is standard. So is a 4-speed manual transmission. A livelier, yet economical, 302 CID 2V V-8 is optional with SelectShift automatic transmission. You can add power front disc brakes, power rack-and-pinion steering, and more. Mach 1 looks solid and is solid. With a firm road feel. A nice blend of performance with comfort.

Rediscover driving fun with an exhilarating Mach 1 test drive. At your Ford Dealer's. And soon.



Fold-down rear seat, on 3-Door 2+2, provides a cargo volume index of 28.1 cu. ft. The seat is optional on 2-Door models. Tan (Code AL) shown. Pages 6-7 give you a closer look at the sporty interior that comes standard.

Luxury Interior Group (left), adds elegance with Super-soft vinyl seat and door trim. Other attractive items included: deluxe rear seat quarter trim, door courtesy lights, color-keyed deluxe belts, shag carpeting, parking brake boot with rear ash tray, super sound package. Standard on Ghia. White (Code 4B) shown.



NOTABLE STANDARD FEATURES—2+2, MACH 1

Functionals: 2.3 Liter, 4-cyl. engine (2+2), 2.8 Liter V-6 (Mach 1), both with solid state ignition D 4-speed manual floor-mounted transmission D Rack-and-pinion steering D Front disc brakes D Color-keyed urethane-coated bumpers D Tachometer D Fuel, ammeter, temperature gauges D Fold-down rear seat and swiveling tiltgate D Dual remote color-keyed mirrors (Mach 1) D BSW steel-belted radial ply tires (2+2). Raised white letter BSW wide-oval steel-belted radials (Mach 1) D All Ford Lifeguard Design Safety Features.

Appearance & Comfort: Low-back vinyl bucket seats with full-width headrests D Cut-pile carpeting D Soft vinyl and carpet door trim panels (except when White trim ordered) D European-type armrests D Wood-tone accents D Bright windshield, rear window, drip, belt and center pillar moldings D Black lower body-side paint, Black deck lid paint stripe, Black front/rear lower bumpers (Mach 1) D Styled steel wheels (2+2), styled steel wheels with trim rings (Mach 1).

Better idea options. Design the Mustang II that suits you best.

Whatever you need in added comforts, there's a wide array of options to choose from. You can design your own breed of Mustang II... the one that suits you best.

Light Group. Lights for under hood, glove box, ash tray, luggage compartment (Hardtop), instrument panel courtesy—left-hand and right-hand, third-door courtesy light switch (2+2, Mach 1), map light, door ajar warning light, "lights on" warning light and buzzer.

Convenience Group. Includes dual color-keyed remote control mirrors, color-keyed deluxe belts, right-hand vanity vior mirror, inside day/night mirror, parking brake boot, rear ash tray.

Luxury Interior Group. Add elegance with Super-soft vinyl seat and door trim with large armrest. Deluxe rear seat quarter trim. Door courtesy lights. Color-keyed deluxe belts. Shag carpeting, parking brake boot, rear ash tray, super sound package. Standard on Ghia. See pages 8-9.

Velour Cloth Trim. Ghia. Last word in luxury. Impeccably tailored, invitingly soft. Comes in Dark Red (CD), Blue (CB), Light Green (CG), Tan (CU). See page 5.

Ghia Silver Luxury Group. (Also see pages 2-3.) Exterior: Silver Metallic finish, Silver Normande grain half-vinyl roof, hood ornament, Cranberry bodyside tape stripes. Interior: Includes console, Cranberry Media crushed velour seat trim and Cranberry flocked headlining and sun visors.

Deluxe Belts. Color-keyed, add elegance. Standard on Ghia, and with Luxury Interior and Convenience Groups.

SelectAir Conditioner. Cools, warms, dehumidifies for year-round comfort. Just the thing for a scorching day.



Radios, AM Radio. Easy listening. Easy on the budget. AM/FM Monaural Radio. Fine, rich sound for listening pleasure. AM/FM Stereo Radio. Twin door speakers for true stereo sound. AM/FM Stereo Radio with Tape Player. Superb concert tone with three opportunities for pleasant listening.

Leather-Wrapped Steering Wheel. Superb sporty touch. Soft, smooth feel with firm grip. Sewn with a handsome stitch.

Fuel Monitor Warning Light. Light alerts you when engine manifold vacuum is below peak efficiency so you can adjust driving habits to improve gas mileage.

Glamour Paints: Wide-awake, charged-up colors like Silver Blue Glow (3M), Green Glow (4T), Tan Glow (5U).

Dual Color-Keyed Mirrors.

Racy touch. Both are remote-controlled from driver's side. Standard on Ghia, Mach 1 and with Convenience Group and Rallye Package.

Power Rack-and-Pinion Steering.

Makes parking, handling extra-easy.

Power Front Disc Brakes. Help you make fast, straight, sure stops.

Exterior Accent Group.

(Hardtop, 2+2) Dress-up items: pin stripes • vinyl insert bodyside moldings • left- and right-hand color-keyed dual remote control mirrors • WSW tires • styled steel wheels (Hardtop), trim rings (2+2).

Rocker Panel Moldings. Add nice styling, protective touch. Not available on Ghia or Mach 1 models, or with vinyl insert bodyside molding.

Color-keyed Vinyl Insert Bodyside Moldings. Help protect body finish, especially in parking lots.



Digital Clock. As dependable as it is contemporary. Has quartz crystal accuracy. Standard on Ghia and with Rallye Package.



SelectShift Cruise-O-Matic Transmission. Smooth, quiet 3-speed automatic you can shift manually, if you wish. Buried walnut woodtone shift lever handle. Available with 2.3 Liter engine (except on Mach 1), not available with 2.8 Liter V-6 engine. Required with 302 V-8 engine.

Engines. 2.8 Liter V-6, spirited yet economical, comes with 4-speed manual only. Standard on Mach 1. (Available on Mach 1: Thrifty 2.3 Liter, 4-cylinder engine with 4-speed manual.) 302 CID 2V V-6. Mustang II's latest. And liveliest. Requires SelectShift Cruise-O-Matic transmission. Engines include solid state ignition.



Sunroof. 2-Door models. Sliding panel overhead opens and closes easily with the turn of a handle.

Vinyl Roof. (Hardtop) Levant grain... In Black, White, Blue, Green, Tan or Silver. Standard on Ghia.

Half-Vinyl Roof, Ghia. Same six colors as full-vinyl roof. Includes drip and cross roof moldings.

Electric Rear Window Defroster. Thin conductive strips warm glass, clear it quickly for better visibility.

Tinted Glass. Reduces glare. Recommended with SelectAir Conditioner.



Glass Moonroof (Ghia). One-way Silver-tinted glass panel when equipped with Silver Luxury Group. Manual operation.

Deck Lid Luggage Rack. 2-Door models. Adds convenient carrying capacity.

Pin Stripes. Dual sporty accents at hood/fenders/doors/deck lid. Standard on Ghia. Included in Exterior Accent Group.

Bumper Guards. Front and rear, urethane-coated, color-keyed to bumpers.

Traction-Lok Differential. Assures traction, not tire-spinning. When one wheel is stuck, power goes to the one that grips.

Model shown: 2-Door Hardtop in Tan Glow (Code 5U).

Pivoting Rear Quarter Windows. 3-Door models. Easy to open and close. Positive locking, light sealing.

Protection Group. Helps ward off dents, premature wear with door edge guards (except Mach 1), front floor mats, license plate frames.

Tire Options: A wide selection of sizes and styles available, including whitewalls, shown here, and raised-letter wide-ovals. Ask your Ford Dealer for complete details.



Cast Spoke Aluminum Wheels. Custom richness with a tasteful, high-style classic.

Styled Steel Wheels. Standard on 2+2, with trim rings on Mach 1 and with Rallye Package.

Trim Rings. Dress-up for styled steel wheels. Standard on Mach 1, and with Rallye Package.

Fold-Down Rear Seat. Provides carpeted cargo space for bulky items. Standard on 2+2, Mach 1.

Rallye Package. Comes with Traction-Lok Differential, 105 F/WL tires, extra-cooling package, bright exhaust tips, digital quartz crystal clock, competition suspension, dual color-keyed remote control mirrors, leather-wrapped steering wheel, styled steel wheels/trim rings.

Competition Suspension. Heavy-duty springs, adjustable shock absorbers, rear stabilizer bar, 195/70 B/WL tires.

Anti-theft Alarm System. Actuates horn to attract attention, deters thefts when locked car is tampered with. Includes lockable inside hood release.

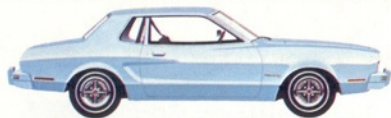
Maintenance Group. Helps you handle minor repairs. Includes maintenance manual • bulbs • 14-oz. fire extinguisher • flares • red plastic flag • 14-oz. tire pressure gauge • bunge cord • lubrication kit • 12-volt trouble light • 9-in. channel lock pliers • reversible screwdriver • 6-in. crescent wrench.

Extended Range Fuel Tank. Adds extra gallons to increase Mustang II total capacity to 17 gallons. Standard with 302 CID 2V V-8 engine.

Security Lock Group. Peace of mind with locking gas cap, inside hood release lock, spare tire lock.

Heavy-Duty Battery. 53-amp. Reserve you need for cold weather starts, severe service applications. Standard with 2.8 V-6 and 302 V-8.

1975 Mustang II model selector.



Mustang II Hardtop—Pastel Blue, (Code 3Q)



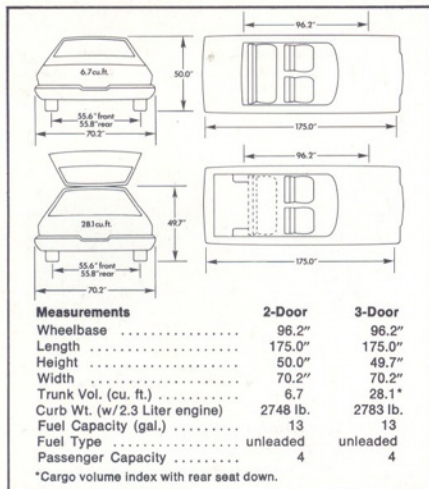
Mustang II Ghia—Dark Brown Metallic, (Code 5Q)



Mustang II 3-Door 2 + 2—Bright Yellow, (Code 6E)



Mustang II Mach 1—Dark Red, (Code 2M)



NOTES:

Replacement Parts. Your 1975 Ford Mustang II comes with factory engineered Motorcraft battery, oil filter, shock absorbers, Autolite Powertrig Spark Plugs and other Ford approved precision parts. For continued top performance, be sure to specify Motorcraft Parts and Autolite Powertrig Spark Plugs whenever replacement is necessary.

For your convenience, Ford Mustang II colors include codes. Example: Dark Red (Code 2M). Your Ford Dealer will be pleased to show you actual color chips and sample swatches of vinyl roof and interior trim colors.

The engine in your car is designed to operate on UNLEADED FUEL ONLY (cars sold in the U.S.A.). Leaded fuel can damage the catalytic converter and affect other emission control components.

What to look for in a small, sporty personal car like Mustang II.

Cost of ownership. To get your money's worth, compare price, operating economy and trade-in value. **Price.** Compare what you get for what you pay. Look at what comes standard. For 1975, you get standard features Mustang II never offered before. See pages 4, 7, 9. **Operating economy.** Ask how far you can go on a tank of gas. Also, how often your new car will need scheduled maintenance in the course of 50,000 miles. Mustang II is scheduled to require chassis lubrication only once in 30,000 miles and oil change at 5000-mile intervals. Solid state ignition means you don't have to replace points or condenser. These and other features can add up to significant savings. **Trade-in value.** Mustang II's sales success last year demonstrates popularity with owners, an indication that it will hold its value when you're ready to trade again. Ask your Ford Dealer about trade-in value. We believe you'll be pleasantly surprised.

Quality. Ford takes quality very seriously. We want you to check the care taken to give you quality fit and finish of body seams, doors and trim. Uniformly lustrous paint. Snug, flat carpeting. And we urge you to test-drive Mustang's quiet ride, comfort and handling—hallmarks of excellence you have to experience. You'll find these and other measures of quality in the free "The Closer You Look Book '75". This "Closer You Look Book" you can pick up at your Ford Dealer's.

Features that let you drive in confidence.

Mustang II is built with Ford Lifeguard Design Safety Features found in cars like the Ford LTD, including side door beams, protective bumpers, and many others. The Tot-Guard and Infant Safety Seats shown here are the latest safety items available from your Ford Dealer. Ask him about them. We care about you and those you care about.

Satisfaction after the sale. Besides deep-down Mustang II quality, you need a good service system to take care of anything that may come up. That's why our goal is: No unhappy owners. And we back it up with a nationwide network of nearly 6,000 Ford Dealers.

Illustrations and information presented were correct when approved for printing. Ford Division reserves the right to discontinue or change at any time, specifications or design without incurring obligations.

Some features shown or described are optional at extra cost. Most options are offered on all models. Some options are required in combination with other options. Availability of some models and features described may be subject to a slight delay. Always consult your Ford Dealer for the latest, most complete information on models, features, prices and availability.



The closer you look, the better we look.

FORD MUSTANG II

FORD DIVISION

