

FURY

1972 Plymouth



FURY



Fury Gran Coupe and.....



Fury Gran Sedan.....Pages 4-9



Fury III.....Pages 10-17



Fury II, Fury I.....Pages 18-19



Fury Wagons... See 1972 Plymouth Station Wagon Catalog

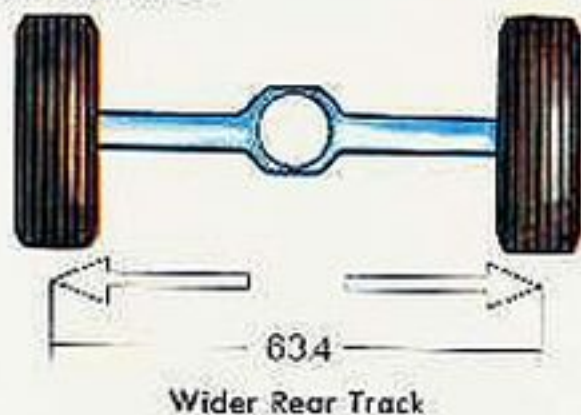
Note: For information on trailer towing, be sure to ask your dealer. He has all the facts to answer your particular questions. Fold out back cover for 1972 Fury engines, options and colors.

Our Commitment...

Our commitment to you is to design, engineer and build a car with quality. To give you honest value at an honest price. That is our goal. It's a no-nonsense commitment that can make a lot of sense when you buy your next car. We try to give our buyers a car that gets them where they want to go in all types of weather and in all kinds of traffic. People expect value when they invest in a new car —and that's what we expect to deliver.

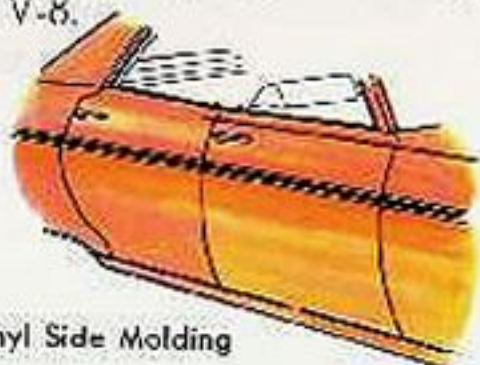
New styling, features, power.

New styling highlights the 1972 Fury line. But styling isn't the only thing that's new. There's also a wider rear track that adds to our wide, low appearance. And TorqueFlite automatic transmission plus power steering are now standard.



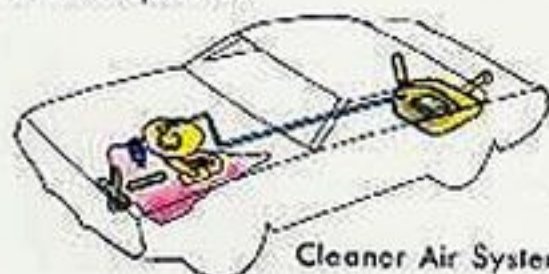
Wider Rear Track

In addition, there's a new optional 400 cu. in. V-8 that'll run on regular, low-lead fuel. With this engine, you can order our new optional electronic ignition system that delivers more uniform, consistent starts and is virtually maintenance free. This new solid-state ignition system is also optional on the 360 and the 440 V-8. The standard Fury engine is the proven 318 V-8.



Vinyl Side Molding

And when it comes to protection, Fury does it a number of ways. An inside hood release locks the engine compartment. A vinyl side molding, standard on some models, helps protect the exterior from door dings. Our Cleaner Air System helps control exhaust emissions. And we have attached a handy reusable container to the glove box for litter. It'll hold up to two quarts.



Cleaner Air System

Built upon a strong foundation.

A Plymouth Fury comes with a built-to-last foundation. It's a major part of our famed Torsion-Quiet Ride.

It begins with a Unibody that's been welded together in over 4,000 places to help prevent the car from rattling. Then the suspension system is matched to the structure of the car. That means that the total ride package is blended together to give you the comfort, handling and stability you want.

Up front, flexible torsion bars help twist away the road shock while an anti-sway bar helps keep the car level.



Torsion-Quiet Ride

A quiet room.

A Plymouth Fury can be your quiet corner of the world. Over 125 square feet of sound insulation material and the strategic placement of rubber body mounts keep the outside noise where you want it. Outside. That's another benefit of Torsion-Quiet Ride.

Room is another thing you're concerned with in a car. Fury provides stretch-out comfort for six adults.

Transportation Plus.

Some people think of a car as strictly transportation. Others want more.

They want a car styled, designed and engineered with Chrysler care. A car with spacious room, smooth ride and solid comfort.

Such a car is the Plymouth Fury. A 16 models. One of them is your way to get transportation... plus.

Fury I, II, and III Standard Features

Torsion-Quiet Sound Isolation System • 318 V-8 Engine • Automatic Transmission • Power Steering • Dual Headlamps • Bias-Belted Tires (Set of 5) • Hub Caps (Set of 4) • Brake Warning Light • Outside Rearview Mirror, Driver's Side • Fuel Gauge • Temperature Gauge • Ammeter • Low Oil Pressure Warning Light • Panel Light Dimmer and Interior Lights • Keyless Door Locking • Armrests, Front and Rear • Instrumentation with Non-glare Floodlights • Dual Front Shoulder Harness • Twin Loop Front Bumpers • Directional Signals/Lane-Change Feature • Cigar Lighter • Glove Box Lock • Dome Light • Front Door Courtesy Light Switches • Padded Sun Visors • Roof Sill and Insulation • Safety Door Locks • Back-up Lights • Soft Coat Hooks • Ash tray in Instrument Panel and Rear Armrests

• Dual Horns • Bright Drip Rail Molding • Concealed Windshield Wipers • Rear Compartment Sound Barriers • Fresh Air Heater and Defroster • Side Cowl Fresh Air Ventilation • Deep-Pile Carpeting with Padding* • Bright Full Length Body Side Molding** • Full Length Body Side Moldings with Color Keyed Protective Vinyl Inserts • Ashtray Light • Trunk Compartment Light • Bright Upper Door Frame Molding • 14-Door Seals • Bright Wheel Lip Molding • Simulated Wood Grain Inserts on Door Trim Panels • Simulated Wood Grain Accent on Instrument Panel Cluster and Pad • Glove Box Light • 3-Spoke Steering Wheel with Simulated Wood Grain Inserts • Dual-Sized Taillamps with Bright Ornamentation • Bright Base Armrests, Front and Rear • Many Other Safety and Convenience Features

*Not on Fury I **Fury II only †Not on Fury I or II

Gran Coupe/Sedan Standard Features

(All of the Above Plus the Following)

Door Pull Strap • Lower Door Panels, Carpeted • Pull-down Center Armrest Seat with Integral Head Restraints • Sill Molding • Bolt Molding • Concealed Dual Headlamps • Body Side Molding with Color-Keyed Vinyl Inserts • Color-Keyed Vinyl Rear Bumper Pad • Extra Rear-Seat Sound Barrier • Dome Lamp Rear-Door Courtesy Switches (Gran Sedan Only)

Standard Safety Features (All Furies)

Fuel-tank impact protection • Locking steering column • Energy-absorbing steering column • Energy-absorbing front seat-back and armrests • Energy-absorbing instrument panel padding • Seat belts, all seating positions • 3-point hook up arrangement on seat belts • Shoulder belts, 2 front • Manual door locks—levers have non-override lock feature, except driver's door • Inside door release levers, flush-type • Padded sun visors • Dual braking system with warning light • Side marker lights and reflectors • Hazard warning light system • Windshield wipers, 2-speed, electric • Windshield washers, electric • Head restraints, 2 front • Locking latch on all folding front seat-backs • Left outside rearview mirror • Vinyl-clad day/night inside rearview mirror

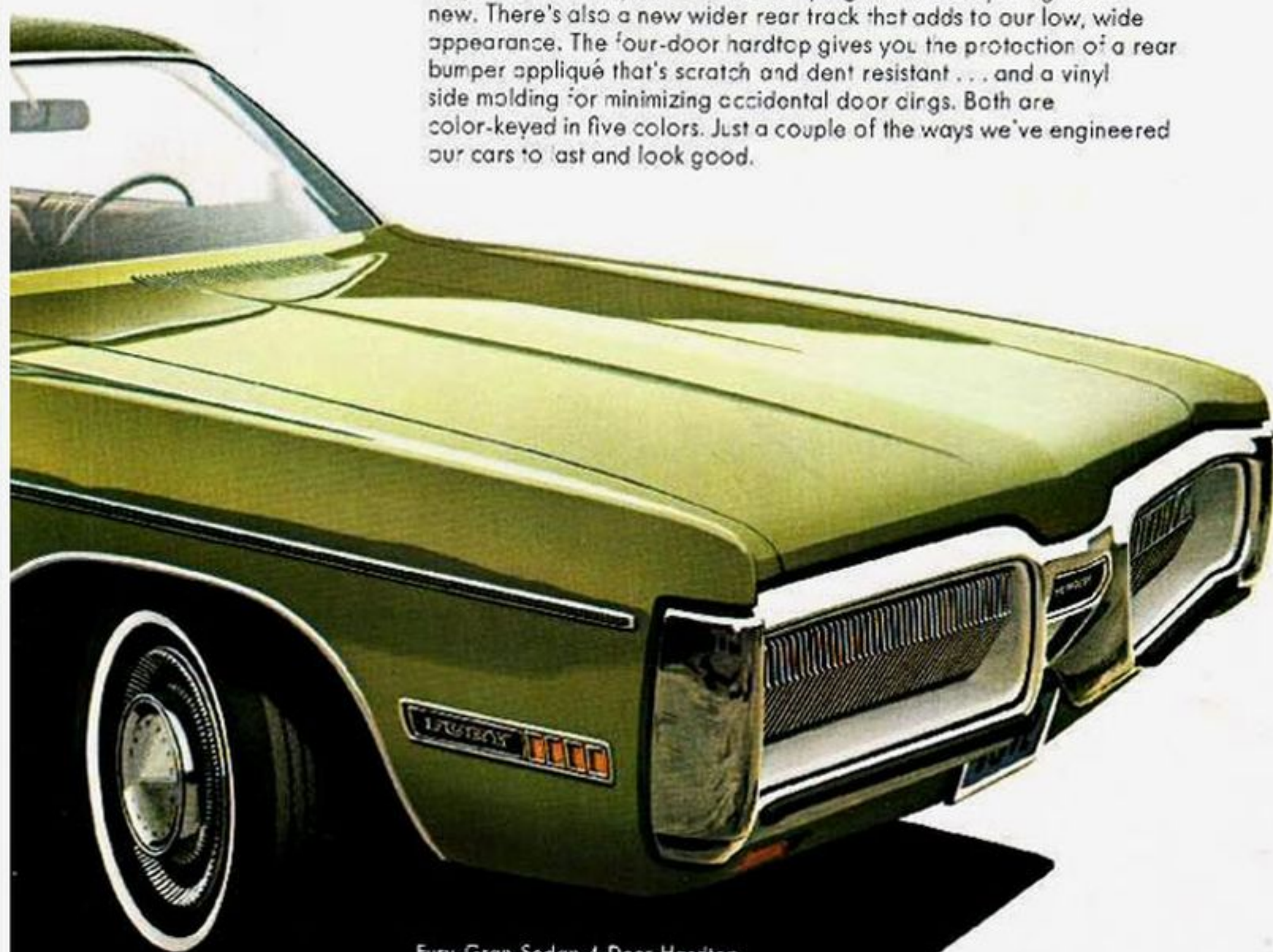
Dimensions

Exterior 4-Door V-8 (Hardtop)	
Wheelbase	120 in.
Overall Length	217.2 in.
Overall Height	55.0 in.
Track—Front	62.1 in.
Rear	63.4 in.
Interior 4-Door V-8 (Hardtop)	
Head Room—Front	38.0 in.
Rear	37.2 in.
Leg Room—Front	41.8 in.
Rear	38.0 in.
Shoulder Room—Front	63.2 in.
Rear	62.7 in.
Useable Trunk Capacity	20.4 cu. ft.



Fury Gran Sedan

Fury has been restyled for '72. But styling isn't the only thing that's new. There's also a new wider rear track that adds to our low, wide appearance. The four-door hardtop gives you the protection of a rear bumper appliqué that's scratch and dent resistant ... and a vinyl side molding for minimizing accidental door dings. Both are color-keyed in five colors. Just a couple of the ways we've engineered our cars to last and look good.



Fury Gran Sedan 4-Door Hardtop



Fury Gran Coupe 2-Door Formal Hardtop

Fury Gran Coupe

The good life has never looked so good before. And you've got two beautiful ways to go. You can choose from two Gran Coupe hardtops. The Fury 2-door standard hardtop. Or the 2-door formal hardtop. To add even more luxury, order an optional vinyl roof for either in your choice of five colors. Besides being big in luxury, the Fury Gran Coupe is also one of the biggest hardtops in the industry.



Fury Gran Coupe 2-Door Hardtop





Fury Gran Coupe and Gran Sedan Interiors

A tastefully executed exterior deserves a luxuriously appointed interior. Fury Gran Coupe and Gran Sedan come through. **A.** Standard Fury Gran Coupe and Gran Sedan all-vinyl split-back bench seats with a fold-down center armrest. Available in blue, green, gold, parchment, black and tan*. **B.** Optional cloth-and-vinyl Fury Gran Coupe comfort seats. Indi-

vidual seat adjustment, center armrest and a passenger side recliner are some of the extra-comfort features in this Brougham package. Available in green, blue, gold and black. **C.** Optional Brougham package cloth-and-vinyl split bench seat with individual adjustment, passenger recliner and individual armrests. Available in blue, green, black and gold for four-door

Fury Gran Sedan. **D.** Optional Gran Coupe all-vinyl buckets. Available in green, black, parchment and blue. **E.** The Gran Coupe and Gran Sedan instrument panel. Rich simulated burl-grained walnut touches highlight this handsome and easy-to-use instrument panel. And it's floodlit for easy viewing. In addition, there's carpeting throughout . . . even up the sides of the doors.

*Also available in cloth-and-vinyl in green, gold, black and blue for Gran Sedan.



B



C



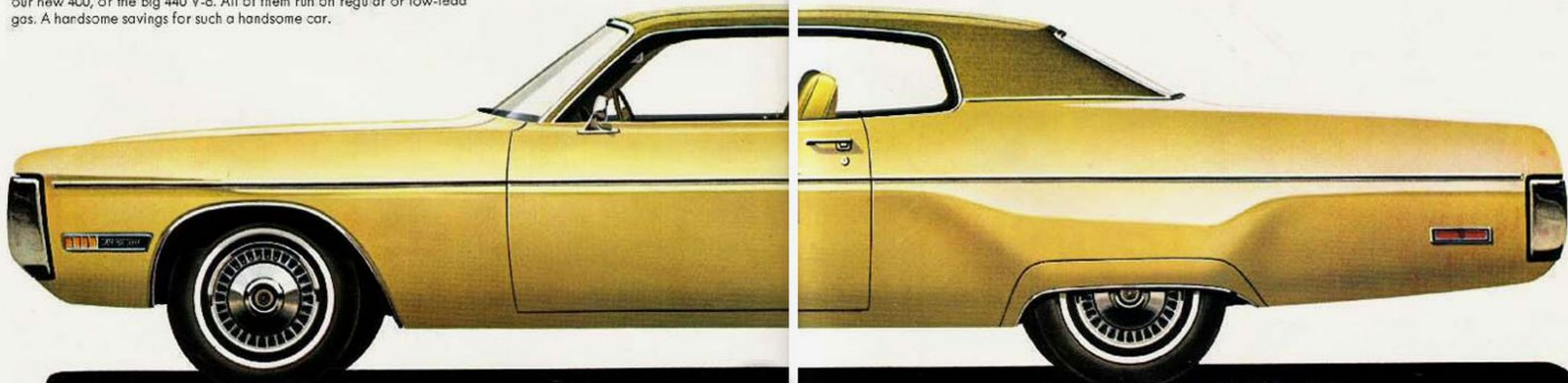
D



E

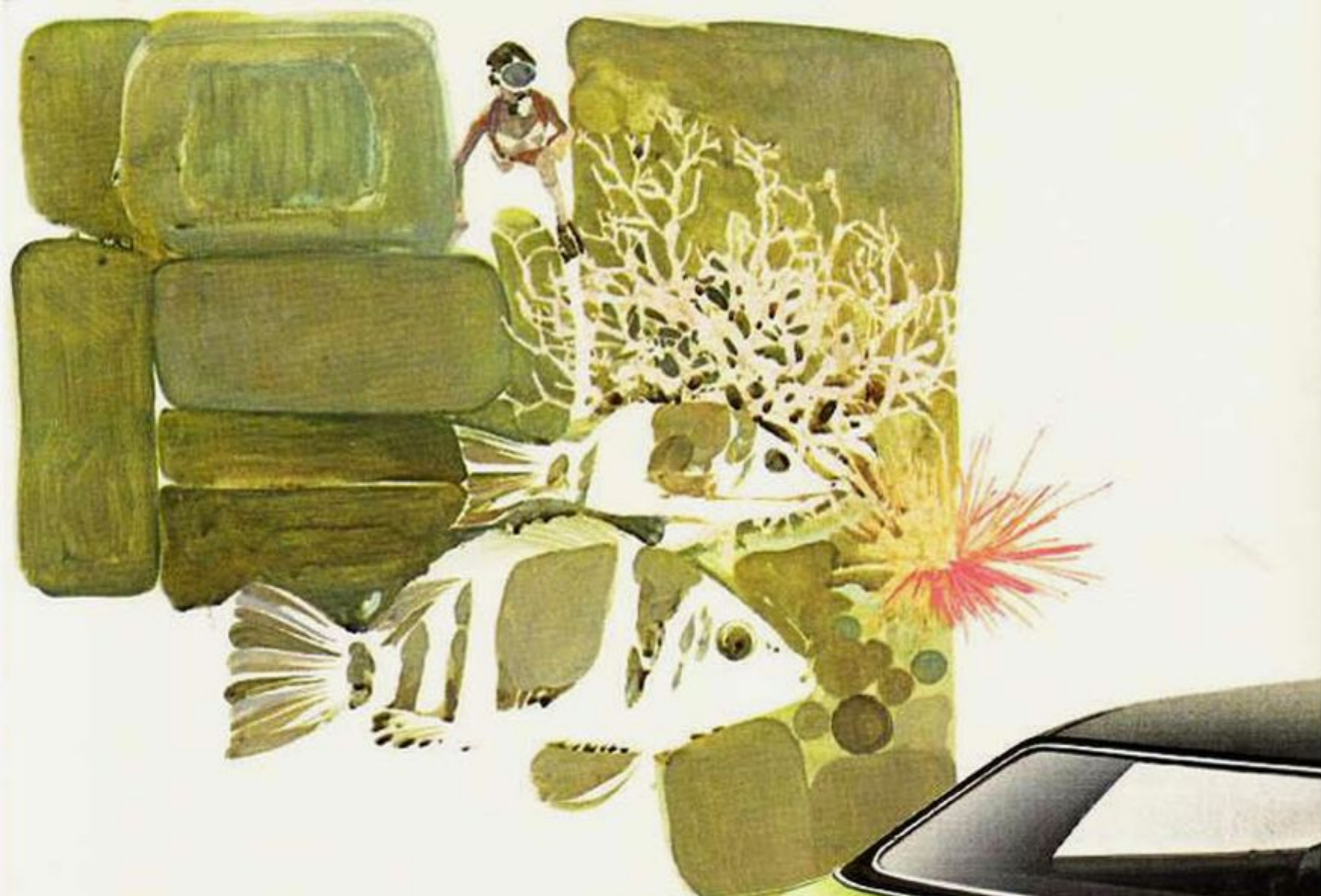
Fury III

Our most popular Fury comes in your choice of four body styles. Pictured below is the 2-door hardtop that features a sporty roof line and sculptured side treatment. With any model, you get the proven power of our standard 318 V-8. Optional engines: a peppy 360, our new 400, or the big 440 V-8. All of them run on regular or low-lead gas. A handsome savings for such a handsome car.



Fury III 2-Door Hardtop





Fury III 4-Door Hardtop

Fury III

A big car should be big in comfort and convenience. And that's exactly what the Fury III is. It's 18 feet long and its wheelbase measures a full ten feet. On the inside you'll find one of the industry's roomiest interiors. And then there's Torsion-Quiet Ride. The comfort and handling package for quiet, controlled driving.



Fury III

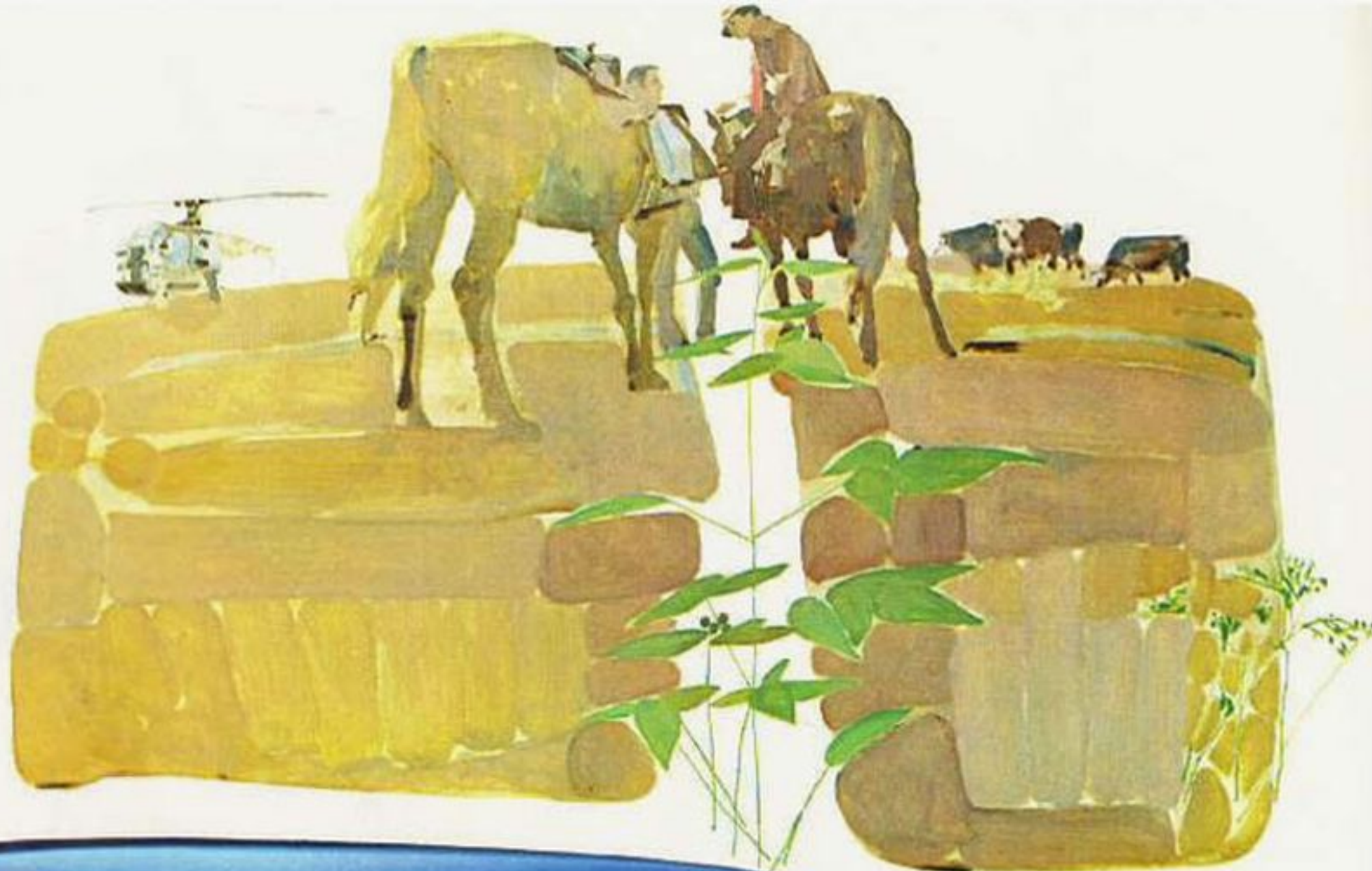
Fury III also offers you the comfort and convenience of a four-door sedan or the looks and luxury of a two-door formal hardtop. Like every Fury for '72 there's great styling from bumper to bumper. And a quality-built heritage that extends from our dip-and-spray process to help protect your car from corrosion to a buffable acrylic enamel for lasting beauty.

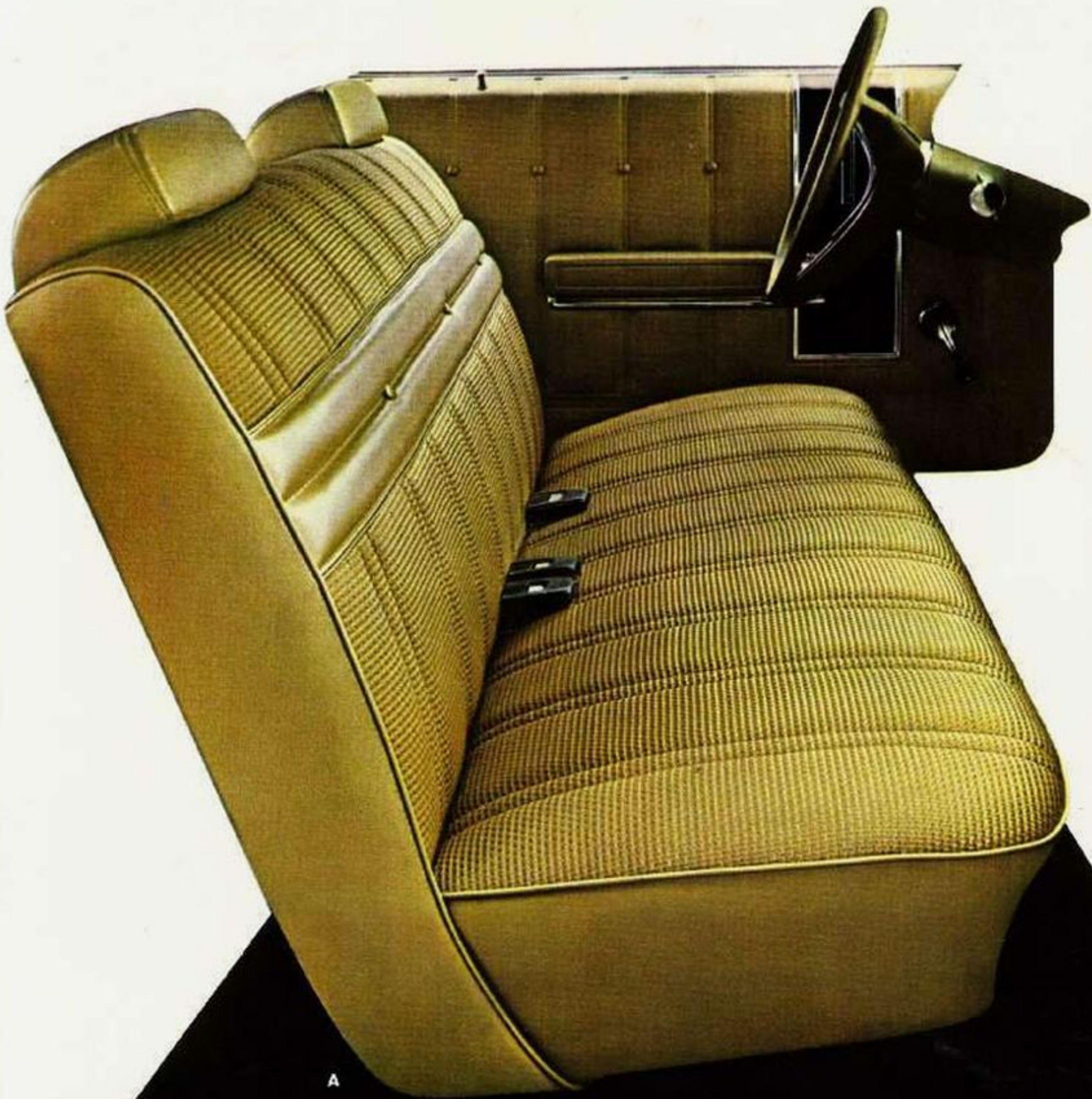


Fury III 2-Door Formal Hardtop



Fury III 4-Door Sedan





Fury III Interiors

Deep, foam-cushioned seats make your long drives more comfortable . . . rich simulated walnut-tone inserts on the padded doors and dash . . . full, hard-wearing carpets . . . instruments and controls conveniently clustered in front of the driver, and floodlit for easier

identification. You'll find them all coming through for you in a roomy Fury III interior. **A.** Standard Fury III cloth-and-vinyl bench seat. Available in blue, green, gold, parchment and black. **B.** Optional Fury III all-vinyl split-bench seat with individual armrests.

and seat adjustment. Also includes a passenger side recliner. Available in black only for 4-door hardtops and sedans. **C.** Optional Fury III all-vinyl bench seat with fold-down center armrest. Available in blue, green, gold, tan, parchment and black.



Fury II & I

Here are the most economical ways to go Fury in '72. Both offer a long list of engineered-to-last features as standard equipment: automatic transmission, power steering, ventless side glass, keyless door locking, bias-belted tires, an anti-theft ignition system that locks the steering column and ignition when you remove the key, and much more. Options? Dozens of them. Check the list in back.



A. Standard Fury I all-vinyl bench seat with individually adjustable head restraints. Available in blue, tan and black.
B. Standard Fury II cloth-and-vinyl bench seat with individually adjustable head restraints. Available in blue, green and black. Optional all-vinyl bench seat also available in green, black and tan (2-door only).



Fury II 2-Door Hardtop



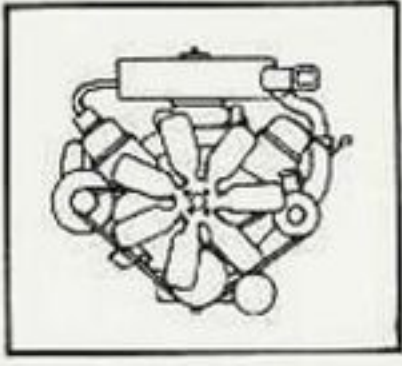
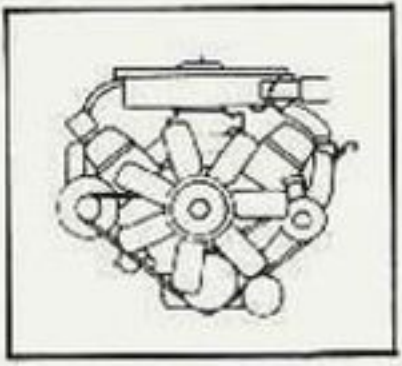
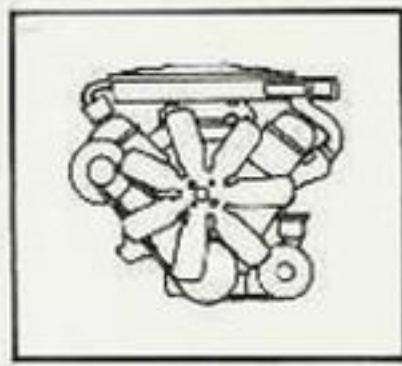
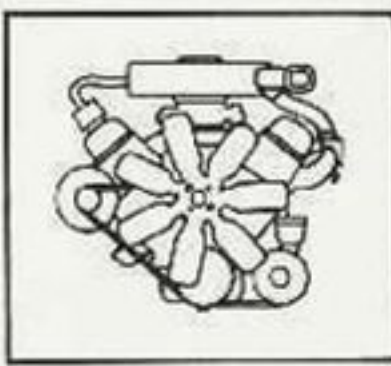
Fury I 4-Door Sedan



Fury II 4-Door Sedan



1972 Fury Engines



Displacement	Carb.	Comp. Ratio	Air Cleaner	Exhaust System	Gran Coupe/Sedan And All Furies
318 V-8	2-bbl.	8.6 to 1	Single Snorkel	Single	Std.
360 V-8	2-bbl.	8.8 to 1	Single Snorkel	Single	Opt.
400	2-bbl.	8.2 to 1	Single Snorkel	Single	Opt.
440 V-8	4-bbl.	8.2 to 1	Single Snorkel	Single	Opt.

1972 Fury Options (Check your salesman for additional options and availability.)

Options	Fury I	Fury II	Fury III	Gran Coupe/Sedan
Accessory Floor Mats	0	0	0	0
Air Conditioning	0	0	0	0
Automatic Speed Control	0	0	U	0
Battery 70 Amp.	0	0	U	0
Belt Molding	NA	0	0	S
Bright Upper Door Frames (4-Dr. Sedan)	0	0	S	NA
Brougham Package	NA	NA	NA	0
Bumper Guards—Front	NA	NA	NA	0
Bumpers Guards—Front and Rear	0	0	0	NA
Carpets	0	S	S	S
Chrome Styled Road Wheels (Console 12-Dr. Only)	NA	NA	NA	0
Custom Sill Molding	0	0	NA	S
Deluxe Wheel Covers	0	0	0	0
Door Edge Protectors	0	0	NA	NA
Easy Order Package	0	0	0	0
Electric Clock	0	0	0	0
Electronic Ignition System	0	0	0	0
Emission Control System	0	0	0	0
Engine Block Heater	0	0	0	0
Extra-thick Front Foam Seat Cushion	0	0	S	S
Heavy-Duty Shock Absorbers	0	0	0	0
Heavy Duty Suspension	0	0	0	0
Light Package	0	0	0	0
Microphone (Dealer-Installed Only)	0	0	0	0
Mirror—Manual, Right	0	0	0	0
Mirror—Remote Control, Left	0	0	0	0

Options	Fury I	Fury II	Fury III	Gran Coupe/Sedan
Nightwatch Headlight-Delay and Headlights-on Warning Signal	0	0	0	0
Power Bench Seat	0	0	0	0
Power Buckets or 50/50 Seat—Left	NA	NA	0	0
Power Dock Lid Release	0	0	0	0
Power Disc Brakes—Front	0	0	0	0
Power Door Locks (4-Door Only)	0	0	0	0
Power Windows	0	0	0	0
Premier Deep-Dish Wheel Covers	0	0	0	0
Radio—AM	0	0	0	0
Radio—AM/FM	0	0	0	0
Radio—AM/FM Stereo	0	0	0	0
Radio—AM/FM Stereo w/Stereo Tape (Cassette)	0	0	0	0
Radio—AM w/Stereo Tape (Cassette)	0	0	0	0
Rear Seat Speaker	0	0	0	0
Rear Seat Speaker—Dual (Stereo)	0	0	0	0
Rear Window Defogger	0	0	0	0
Strato Ventilation	0	0	0	0
Sun Roof With Vinyl Roof	0	0	0	0
Sure-Grip Differential	0	0	0	0
3-Speed Windshield Wipers	0	0	0	0
Tilt Steering Wheel w/Rim-Blow	0	0	0	0
Tinted Glass—All Windows	0	0	0	0
Tinted Windshield Only	0	0	0	0
Trailer-Towing Package	0	0	0	0
2-Spoke Rim-Blow Steering Wheel	0	0	0	0
Undercoating	0	0	0	0
Wheel House Opening Skirts	0	0	0	0

0—Optional S—Standard NA—Not Available

COLORS: The key is to color-key. Check salesman to see how you can match optional vinyl roofs and protective side moldings with vinyl inserts. Vinyl roofs are available in black, white, green, gold, and tan.



Options

AM/FM Radio & Stereo Cassette.

Listen and record from the radio or play your own tapes. (Optional microphone for dictating, dealer-installed.)



Air Conditioning.

Ride in cool, clean, dehumidified comfort.



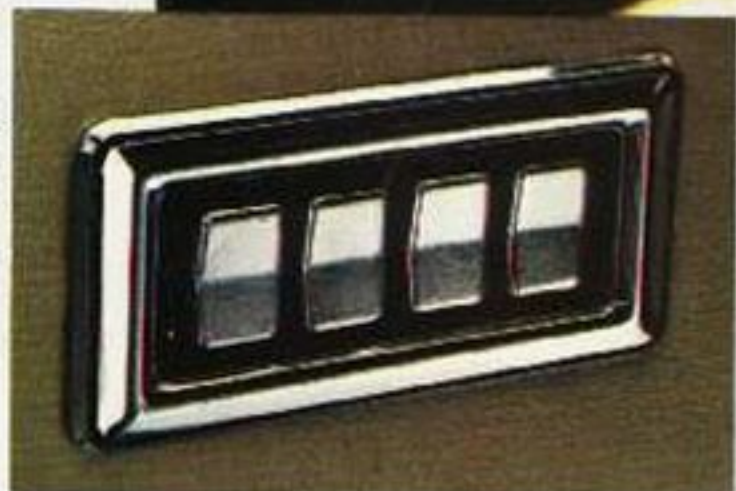
Tilt Steering Wheel.

Adjusts to your driving comfort. Includes "Rim-Blow" horn.



Power Windows.

Control all the windows from a driver's control panel, or each window individually.



Power Door Locks. Extra protection for the kids in the back.

Auto-Speed Control. Great for turnpike driving. Step on the brake to disengage.



Sun Roof. Full-powered way to get fresh-air enjoyment.



Bumper Guards. Extra protection for your front and rear.



Fender-Mounted Turn Signal Indicators. Lets you know your turn signal is on. (Part of Light Package.)



Power Front Disc Brakes. Quick, sure, fade-resistant stops.



Road Wheels. Set of four. Two styles of optional wheel covers are also available.



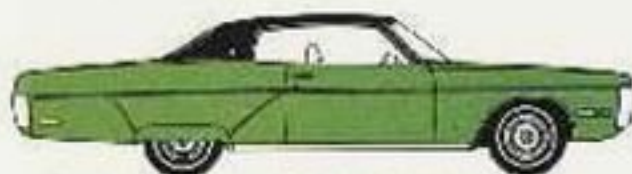
Wheel Opening Skirts. Make your Fury look even sleeker.

1972 Plymouths



Coming Through with the kind of car America wants

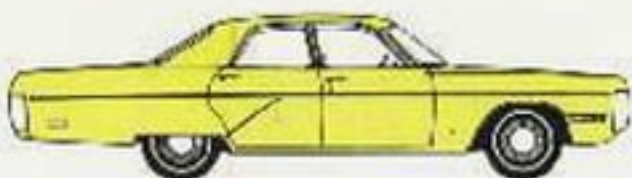
FURY



Gran Coupe (2-door hardtop and formal hardtop—V-8)



Gran Sedan (4-door hardtop—V-8)



Fury III (2-door formal hardtop, 4-door hardtop, 4-door sedan and 2-door hardtop—V-8)



Fury II (2-door hardtop and 4-door sedan—V-8)



Fury I (4-door sedan—V-8)



Fury Wagons (Sport Suburban 2- and 3-seat models—V-8) (Custom Suburban 2- and 3-seat models—V-8) (Suburban 2- and 3-seat models—V-8)

SATELLITE



Satellite Sebring (Sebring-Plus 2-door hardtop—V-8) (Sebring 2-door hardtop—V-8 or Six)



Road Runner (2-door hardtop—V-8)



Satellite Custom (4-door sedan—V-8 or Six; also available Satellite 4-door sedan—V-8 or Six)



Satellite (2-door coupe—V-8 or Six)



Satellite Wagons (Satellite Regent 2- and 3-seat models—V-8) (Satellite Custom 2- and 3-seat models—V-8) (Satellite 2-seat—V-8)

BARRACUDA



Barracuda (2-door hardtop—V-8 or Six)

'CUDA



'Cuda (2-door hardtop—V-8)

VALIANT



Duster 340 (2-door coupe—V-8)



Duster (2-door coupe—V-8 or Six)



Scamp (2-door hardtop—V-8 or Six)



Valiant (4-door sedan—V-8 or Six)

CRICKET



Cricket (4-door sedan—4-cyl.)

All product illustrations and specifications are based on authorized information. Although descriptions are believed correct at publication approval, accuracy cannot be guaranteed. Some of the equipment shown on product illustrations is optional, at extra cost. Chrysler Motors Corporation reserves the right to make changes from time to time, without notice or obligation, in prices, specifications, colors and materials, and to change or discontinue models.



Keep your Plymouth coming through in top condition. Service it with men who know it best. See your Plymouth Dealer.

Plymouth

