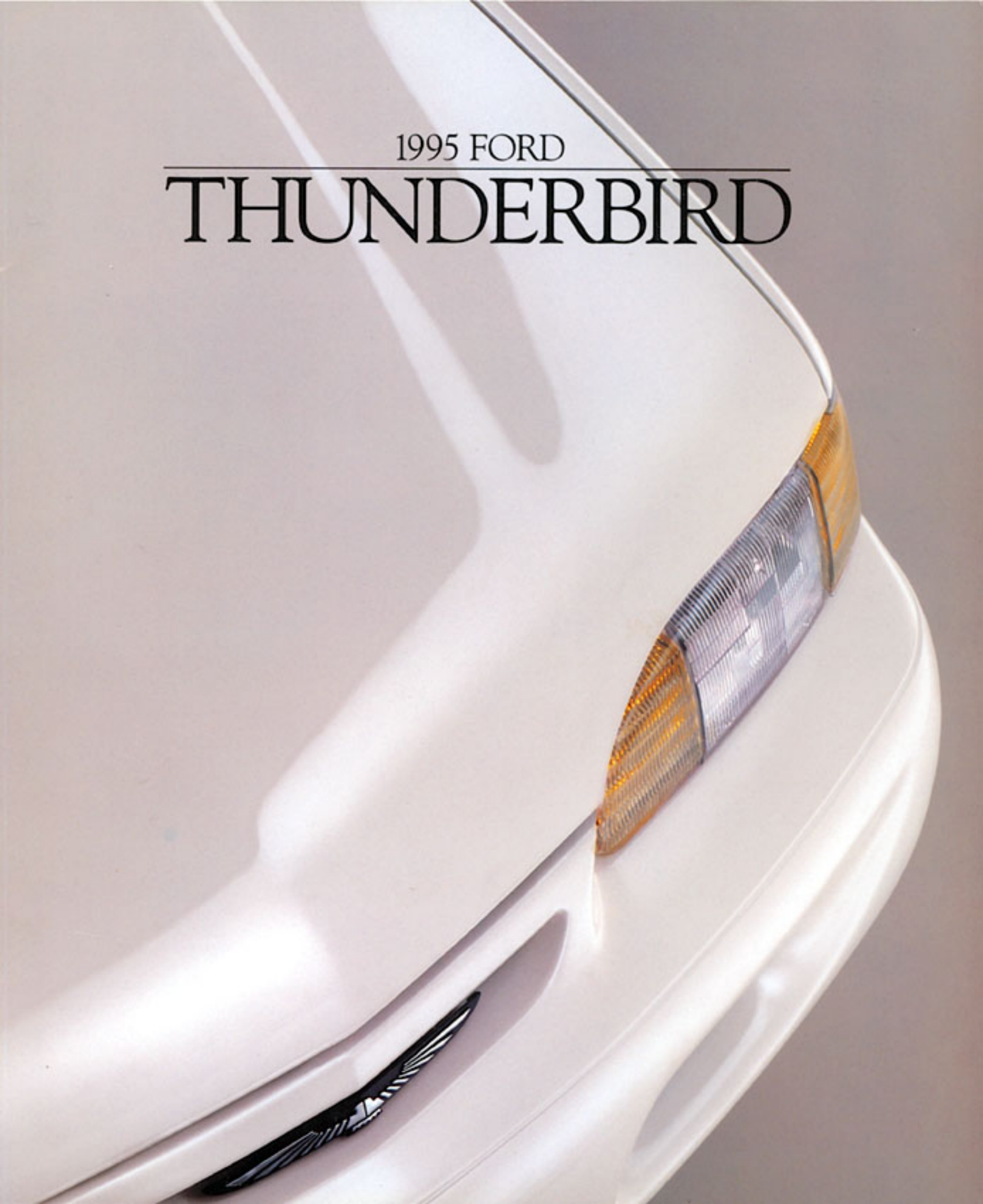


1995 FORD

THUNDERBIRD





THUNDERBIRD

How many cars on the road today can you identify at a glance, whose badges elicit instant recognition and admiration? There certainly aren't many, but one should readily come to mind. It's the familiar wide wingspan that symbolizes Ford Thunderbird.

The car has undergone changes in its history, to be

sure. Changes in size. Changes in shape. Evolution. And yet, ironically, the current model may be the closest in spirit to the original concept. Its identity as a distinctive personal coupe is as evident today as it was when it came on the scene 40 years ago. And the performance side of Thunderbird, represented by the exhilarating Super Coupe with its high-tech componentry, is more exciting than ever.

It's a car with a long and proud history.

In Thunderbird, you'll discover the style, comfort and performance that create a truly rewarding driving experience.

You'll also realize that rare quality that comes with a special automobile as its solid reputation for excellence in personal luxury and comfort continues to grow stronger over the years—prestige.

LX

The 1995 Thunderbird LX in Electric Red Clearcoat Metallic shown with Preferred Equipment Package 155A. Some equipment shown is optional.

LX INTERIOR

Whether you spend very little time in your car or a whole lot, it's home while you're on the road. It should therefore be an *inviting* place. Thunderbird's interior is very attractive, to be sure. But it also provides a high level of driving satisfaction and riding pleasure with seats designed for firm and supportive comfort and standard equipment that enhances

the enjoyment of the excursion. Noise reduction measures such as an aerodynamic exterior design and structural foam in the rocker panels help keep the environment quiet.

GENEROUSLY EQUIPPED

The traditionally long list of Thunderbird LX features includes driver and front passenger air bags to supplement the safety belts, illuminated controls for the power door locks and windows, dual cupholders in the full center console and separate heat ducts for the benefit of the rear seat passengers.

These are all in addition to the CFC-free air conditioning system with rotary-style con-



trols, solar tinted glass, speed control, tilt steering wheel, illuminated entry system, six-way power driver's seat adjustment, electric remote outside mirrors, interval wipers and remote fuel door and decklid releases.

There's also luxury-level door panel trim that includes courtesy lights and illuminated switches. The seat upholstery is luxury-level as well. And the carpeting is plush 24-ounce cut

pile. These, of course, are the kinds of features you would readily expect in a car of Thunderbird's stature.

What you might not expect in a personal coupe is generous room for five. While 2-door coupes typically fall short when it comes to meeting the needs of those seated in the rear, Thunderbird, you'll discover, is an exception to this norm.

Few cars in Thunderbird's class accommodate all their passengers as comfortably and as graciously as Thunderbird accommodates its five occupants.



The instrument cluster features a trip odometer and the clarity of analog gauges.

An electronic semi-automatic CFC-free temperature control system is included in LX Preferred Equipment Package 155A.



Right: The standard power windows and door locks feature the convenience of illuminated controls.



The LX interior, shown here in Opal Grey, is well equipped and luxuriously trimmed. Some equipment shown is optional.

Center: Speed control is one of the Thunderbird LX's many amenities.

Left: The standard LX transmission is a computer-controlled electronic 4-speed automatic overdrive, smooth and precise. The shift lever is leather-wrapped.

STYLE AND SUBSTANCE



Ford Thunderbird has come to define what a personal coupe is all about. From the classic two-seater that debuted back in 1955 to the technologically sophisticated 1995 version, it has managed to capture the spirit of the open road like no other automobile.

This is due in part to its style, a shape that possesses striking visual appeal as well as func-

tional efficiency. It's due also to the performance of Thunderbird, to its smooth, responsive 3.8L V-6 with sequential electronic fuel injection. Variable power-assist steering. Power front disc brakes. A well-engineered, capable suspension.

It's also due to efficient ergonomics. In Thunderbird, behind every design detail is a thorough understanding of how you function, mentally and physically, as the driver. In short, Thunderbird rewards your love of motoring from the tires up.

The Thunderbird LX instrument panel in Opal Grey. Some equipment shown is optional.

PERFORMANCE

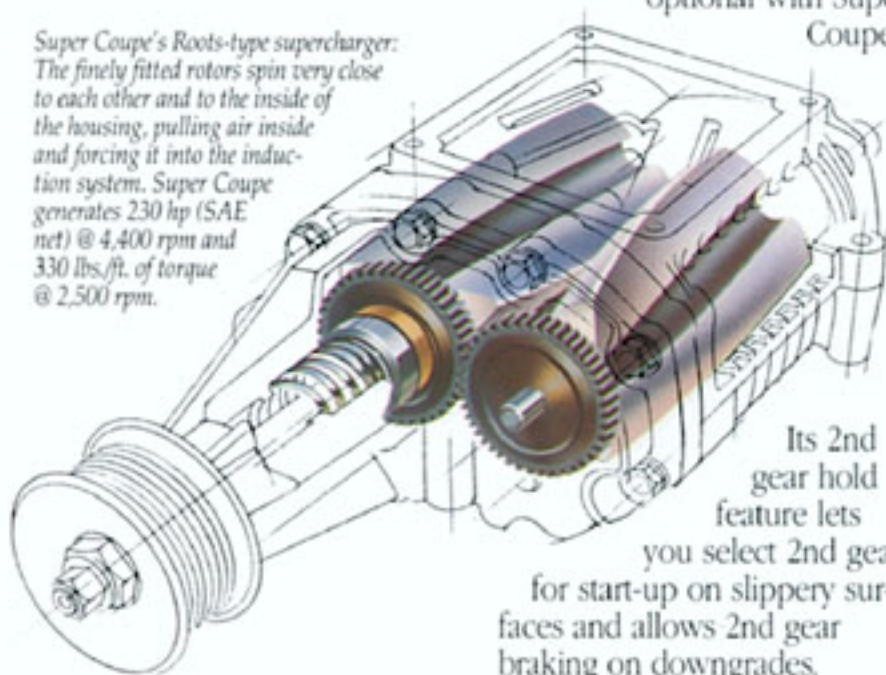
Chances are excellent there's a Thunderbird powerteam to match your style of driving.

The 3.8-liter V-6 is standard in LX; the 4.6-liter V-8 is optional. The Super Coupe features a high-performance 3.8-liter supercharged and intercooled V-6.

All engines are equipped with the precision of a computer-controlled sequential electronic fuel injection system.

What's more, Thunderbird offers the performance and efficiency of an electronic 4-speed automatic overdrive transmission controlled by computer (standard with LX, optional with Super Coupe).

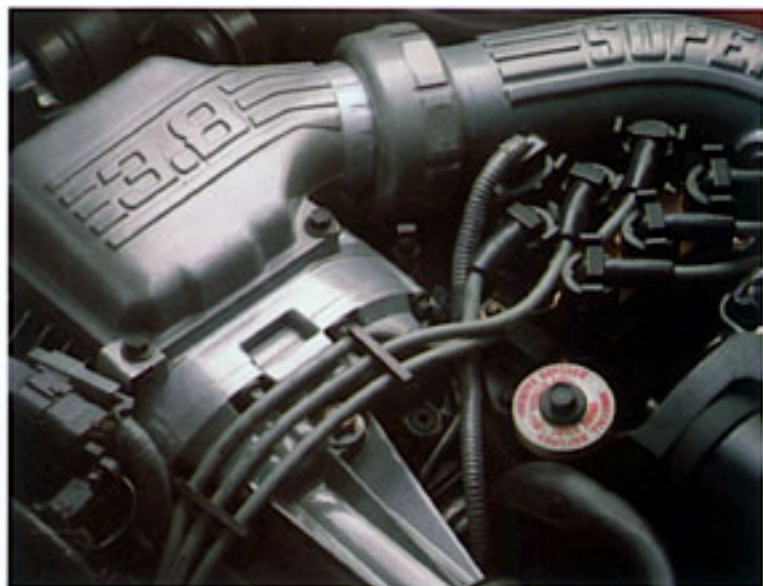
Super Coupe's Roots-type supercharger: The finely fitted rotors spin very close to each other and to the inside of the housing, pulling air inside and forcing it into the induction system. Super Coupe generates 230 hp (SAE net) @ 4,400 rpm and 330 lbs./ft. of torque @ 2,500 rpm.



SUPERCHARGED 3.8-LITER SEFI V-6: SUPER COUPE

The 3.8-liter supercharged and intercooled V-6 delivers 6-cylinder economy at constant speeds (EPA estimates unavailable at press time) and V8-type power on demand when the supercharger kicks in.

Mechanically driven, the supercharger works across a



broad rpm range. Response is quick, even from a start. And the intercooler, which lowers the temperature of the air passing through it to the combustion chambers, increases the density of the air for even more power.

3.8-LITER SEFI V-6: THUNDERBIRD LX

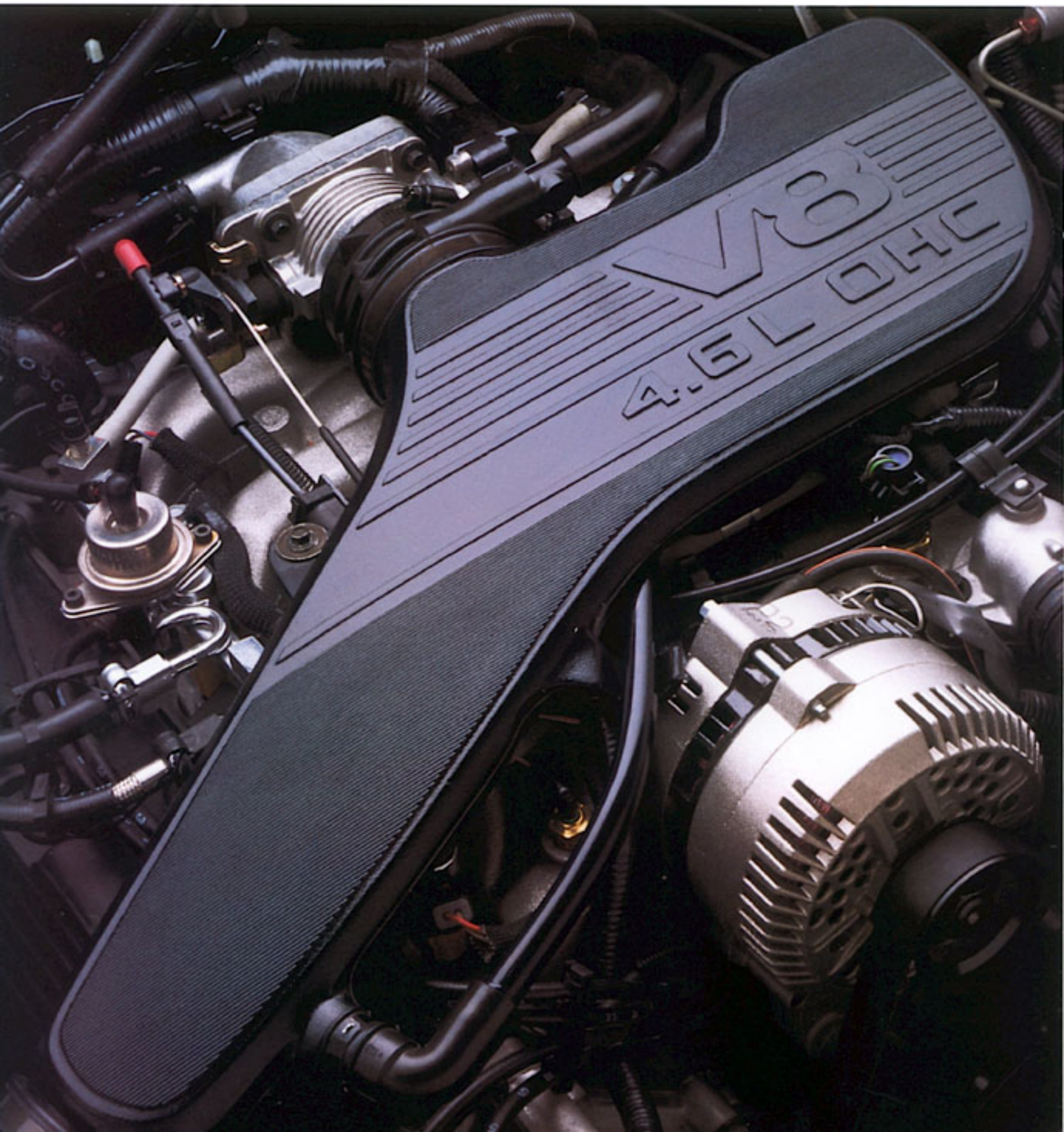
The 3.8-liter V-6 is smooth and responsive. Its sequential electronic fuel-injection system releases fuel precisely and efficiently to each cylinder in "sequence" with the engine's spark firing order.

Fuel metering and ignition timing are just a few of the operations governed by Ford's EEC-IV electronic engine control system. Constantly analyzing operating conditions, EEC-IV fine-tunes the engine to the requirements of the moment.

4.6-LITER SEFI V-8: THUNDERBIRD LX

The optional 4.6-liter V-8 is one of the most advanced engines in its class. Its overhead cam design, for example, contributes to increased power output per liter. Displacing 4.6 liters, it generates 205 hp (SAE net) at 4,500 rpm and 265 lbs./ft. of torque at 3,200 rpm.

In addition to sequential EFI, the 4.6L features the precise air metering of an electronically governed mass air flow sensor, plus the enhanced driveability provided by a distributorless ignition system.



THUNDERBIRD SC



Below: The "firm" ride indicator, along with lights for low coolant, fuel, washer fluid and door ajar, is located in the integrated warning lamp module in the center console of the instrument panel.

Super Coupe features a standard 5-speed manual overdrive transmission (shown). An electronic 4-speed automatic with Electronic Traction Assist is optional.



SC

Above: Thunderbird Super Coupe in Silver Blue Mist Clearcoat Metallic shown with Preferred Equipment Package 157A.

Super Coupe's power-boosting supercharger with intercooler turns in 230 hp (SAE net rating) and 330 lbs./ft. of torque. But Super Coupe is much more than raw power. Sophisticated componentry provides performance in the complete sense of the word.

The standard anti-lock brake system and automatic ride control suspension are good cases in point. They're described on

pages 12-13. Also standard are wide 16" aluminum wheels and P225/60ZR16 performance tires with an aggressive tread. The Traction-Lok axle, included with the manual transmission, automatically shifts some of the driving force, or torque, to the wheel with the most traction under adverse conditions like ice, snow or mud.

A FUNCTIONAL INTERIOR

Super Coupe performs inside, too. The front articulated sport seats provide firm support and are body-contoured to help

hold you in place while cornering. In addition, each seat has side bolsters and a lumbar support which include infinite power adjustments.

In the rear, a split fold-down seat is included with optional leather seating surfaces. This versatile feature allows convenient access to the trunk area from inside the vehicle and permits the carrying of longer cargo like skis or golf clubs.



Left: The Thunderbird Super Coupe interior shown in Opal Grey. The shifter and controls are angled toward the driver, an important ergonomic design feature. Some equipment shown, such as the leather seating surfaces, is optional.

SAFETY

When it comes to your automobile, there's nothing more important to you than the well-being of you and your passengers. Thunderbird is designed to help protect its occupants in an accident, with features such as standard driver and front passenger air bags.

Of vital importance, too, are the "operating safety" features for handling and braking control that can help you avoid an accident in the first place.

ANTI-LOCK BRAKE SYSTEM

The anti-lock brake system (ABS) prevents the wheels from locking up during hard braking by applying and releasing the brakes up to 10 times per second. This action is much like that of a professional driver who skillfully "pumps" the brakes, only much faster.

ABS, standard on Super

Coupe and optional on Thunderbird LX, helps provide greater steering control and smooth, straight stops under most conditions, even on wet and slippery roads.

TRACTION ASSIST

Linked to ABS technology is Electronic Traction Assist. Its sensors monitor wheel rotation at low speeds to help ensure improved traction. When wheel slippage is detected, the brakes are automatically applied to slow down the slipping wheel(s), thereby providing an added measure of control. Electronic Traction Assist requires the electronic 4-speed automatic overdrive transmission, which is standard in Thunderbird LX and optional in Thunderbird Super Coupe.

LX SUSPENSION

The 4-wheel independent suspension, equipped with components such as nitrogen gas-pressurized hydraulic shocks and variable-rate coil springs, is engineered for ride quality and tight handling.

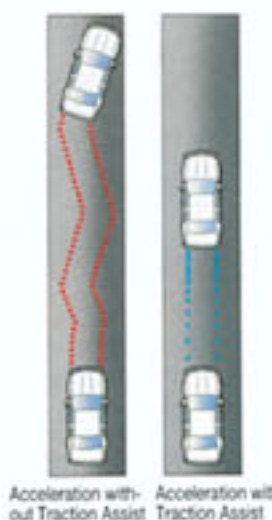
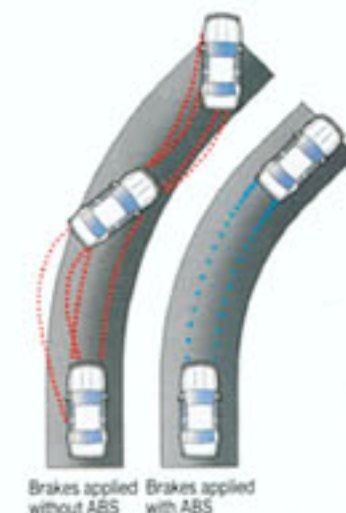
Handling is enhanced by front and rear stabilizers. Also, the rear toe-compensator link, similar to those found on European performance cars, helps control a wheel's direction as the suspension moves up and down, especially during hard acceleration, cornering and braking.

SC SUSPENSION

With its special suspension package (16" Z-rated performance tires, plus higher-rate stabilizer bars, coil springs and front suspension lower arm pivot bushings), Super Coupe



The anti-lock brake system prevents the wheels from locking up in hard braking situations, providing smoother, straighter stops and greater steering control. It's standard with the high-performance Super Coupe and optional on the Thunderbird LX.



delivers high-performance handling capability.

Super Coupe is equipped also with the automatic ride control system that adjusts the shock absorber damping with split-second precision to suit the situation. Damping is "normal" for a smooth ride or "firm" when extra handling is required (the "firm" mode may also be selected manually).

SPEED-SENSITIVE STEERING

Included with the optional 4.6L V-8 engine on LX, this computer-controlled system delivers more power assist at low speeds (when cornering or parking) and reduces power assist as vehicle speed increases to provide the firmer, more controlled feel of the wheel you need at cruising speeds.



Optional with Thunderbird is the advanced Electronic Traction Assist system, designed to improve low-speed acceleration on loose or slippery surfaces.

Below: Dual air bags to supplement the safety belts, important for occupant protection, are standard. Bottom: For added security, Thunderbird offers an optional keyless remote entry system to complement the standard illuminated entry system which provides a ring of light around the lock cylinder and turns on the interior lights when the door handle is lifted.



THE OWNERSHIP EXPERIENCE



We've gone to great lengths to make the experience of driving a new Ford Thunderbird enjoyable. The experience of ownership, too. We stand behind your car with our 36-month/36,000-mile bumper-to-bumper limited warranty. And we look after you with our no-cost Roadside Assistance Program. You can expect nothing less from a customer-driven company.

ROADSIDE ASSISTANCE PROGRAM

Every new Ford includes the assurance of an emergency no-cost Roadside Assistance Program provided by Ford Auto Club, Inc. during the 3-year/36,000-mile bumper-to-bumper

warranty period. Help is just a toll-free phone call away, 24 hours a day, anywhere in the 50 United States should you need any towing assistance, fuel delivery, tire change, a jump start or even help when you're locked out of your car. Ask your Ford Dealer for complete details on the Ford Roadside Assistance Program and also for a copy of the limited warranty.

BUMPER-TO-BUMPER COVERAGE

The 36-month/36,000-mile bumper-to-bumper coverage of Ford's new vehicle limited warranty covers the complete vehicle (except tires, battery,

service adjustments and other items covered under separate provisions) against defects in factory-supplied materials or workmanship. For complete information, see your dealer.



Ford Credit is a full service company that makes a wide variety of financing and leasing programs available to qualified buyers through the Ford Dealer of your choice. Through Ford Credit's financing or Red Carpet leasing, arrangements suited to your special needs can be made quickly and conveniently right at the dealership. Ask

your dealer for the facts on any of Ford Credit's financing or lease plans.

FORD CITIBANK CREDIT CARD

Using your Ford Citibank Visa® or MasterCard® could earn you hundreds, even thousands of dollars from Ford toward the purchase or lease of a new Ford, Lincoln or Mercury product. To apply or get more information, call 1-800-374-7777. Or visit a Ford or Lincoln-Mercury Dealer, or a branch office of Citibank.



Optional Ford Extended Service Plans can cover major components

on new Ford cars and light trucks for longer than the vehicle's basic warranty. Your dealer has full details.

DEALER-INSTALLED ACCESSORIES

The enjoyment of owning a new car begins before you take delivery, when you're selecting colors and features. Along with the items on pages 16-17, there are Ford-brand accessories available at your dealer. They meet or exceed our strict specifications, and are custom designed and manufactured to complement the style and quality of your Ford-built vehicle.

The 1995 Thunderbird LX in Champagne Clearcoat Metallic. Some equipment shown is optional.

FEATURES & OPTIONS

EXTERIOR FEATURES

	LX	Super Coupe
Dual electric remote-control mirrors	S	S
Long-lasting LED taillamps	S	S
Body-color bodyside protection moldings	S	S
Integral fog lamps in front fascia	-	S
Lower bodyside cladding and unique rear fascia	-	S

COMFORT AND CONVENIENCE

Full-length console with floor-mounted leather-wrapped shift and dual cupholders	S	S
Map/dome, luggage compartment, ashtray, glove box and driver's footwell lights	S	S
CFC-free air conditioning and solar tinted glass (semi-automatic temperature control with Super Coupe)	S	S
Power windows with illuminated switches	S	S
Interval windshield wipers	S	S
Luxury level door trim and carpeting	S	S
Power door locks with illuminated switches, remote-control electric fuel door and decklid releases, speed control and 6-way power driver's seat	S	P
Light convenience group: instrument panel courtesy light and engine compartment light (available with LX as part of the luxury/lighting group)	-	S
Analog performance instrumentation: tachometer; fuel, engine temperature and oil pressure gauges; voltmeter and trip odometer	S	S
Supercharger boost gauge and "firm ride" indicator light (in place of voltmeter)	-	S
Driver's footrest	-	S
Leather-wrapped luxury steering wheel	S	S
Speed control	S	P
Tilt steering wheel	S	S
Rear seat courtesy lights, armrest and heat duct	S	S
Luxury/lighting group: autolamp on/off delay; illuminated entry system — standard in LX; light group (instrument panel courtesy light and engine compartment light) — standard in SC; power antenna; dual illuminated visor vanity mirrors and integrated warning lamp module (warning lights for low fuel, low radiator coolant, low washer fluid and door ajar lights; plus switch for optional Electronic Traction Assist system in models thus equipped)	O	O
Cellular phone group ⁽¹⁾	O	O
Power moonroof (with luxury/lighting group only)	O	O
Front floor mats	O	O

SEATING

Luxury cloth reclining bucket seats and 6-way power driver's seat adjustment	S	-
Cloth/leather/vinyl articulated sport performance seats, power lumbar and seat back bolster adjustments	-	S
Leather seating surfaces ⁽²⁾	O	O
6-way power passenger seat	O	O

SOUND SYSTEMS

Electronic AM/FM stereo radio with cassette	S	S
High-level audio system with premium AM/FM stereo radio and cassette player	O	O
High-level audio system with premium AM/FM stereo compact disc radio	O	O

SAFETY AND SECURITY

	LX	Super Coupe
Driver and front passenger air bags; manual lap/shoulder belts	S	S
Lap/shoulder belt restraints for rear outboard passengers; lap belt for center rear passenger	S	S
Illuminated entry system (available with Super Coupe as part of the luxury/lighting group)	S	-
Remote keyless entry system	O	O

PERFORMANCE

Traction-Lok rear axle (Super Coupe: standard with manual transmission)	O	O
Stamped steel 15" x 6.0" wheels with styled road wheel covers and P205/70R15 BSW tires	S	-
Directional cast aluminum 16" x 7.0" wheels	-	S
Electronic 4-speed automatic transmission ⁽³⁾	S	O
Anti-lock braking system	O	S
4.6-liter SEFI V-8	O	-
Electronic Traction Assist ⁽⁴⁾	O	O
P225/60ZR16 BSW all-season performance tires	-	O

(1) "Hands free" cellular phone and electronic AM/FM stereo radio with cassette player and premium sound system. (2) Split fold-down rear seat without center armrest included in Super Coupe. (3) Includes Electronic Traction Assist in Super Coupe. (4) Included with automatic transmission in Super Coupe. Not available in Super Coupe with 5-speed manual transmission.

PREFERRED EQUIPMENT PACKAGES

	LX	Super Coupe
Group 1: Power door locks with remote-control electric fuel door and decklid releases, speed control and 6-way power driver's seat	155A	157A
Group 2: Electronic semi-automatic CFC-free temperature control system (includes outside temperature indicator), rear window defroster	P	P
Group 3: Aluminum wheels with P215/70R15BSW all-season tires (LX), P225/60ZR16 BSW performance tires (standard on SC)	P	P

S = Standard O = Optional P = Preferred Equipment Package item

PRODUCT CHANGES

Following publication of the catalog, certain changes in standard equipment, options, prices and the like, or product delays, may have occurred which would not be included in these pages. Your Ford Dealer is your best source for up-to-date information. Ford Division reserves the right to change product specifications at any time without incurring obligations.

From left to right: styled road wheel covers (standard on LX), 15" cast aluminum wheels (included in the LX Preferred Equipment Package) and 16" cast aluminum wheels (standard on Super Coupe).



Engine, Thunderbird LX

Type	V-6
Valves	12, OHV
Displacement	3.8L (232 cu. in.)
Horsepower (SAE net)	140 @ 3,800 rpm
Torque (SAE net lbs./ft.)	215 @ 2,400 rpm
Fuel system	Sequential multi-port electronic fuel injection

Engine, Thunderbird LX

Type	V-8
Valves	16, SOHC
Displacement	4.6L (281 cu. in.)
Horsepower (SAE net)	205 @ 4,500 rpm
Torque (SAE net lbs./ft.)	265 @ 3,200 rpm
Fuel system	Sequential multi-port electronic fuel injection

Engine, Thunderbird SC

Type	Supercharged/intercooled V-6
Valves	12, OHV
Displacement	3.8L (232 cu. in.)
Horsepower (SAE net)	230 @ 4,400 rpm
Torque (SAE net lbs./ft.)	330 @ 2,500 rpm
Fuel system	Sequential multi-port electronic fuel injection

Transmissions

Type	Electronic 4-speed automatic overdrive (std. in LX, opt. in SC) 5-speed manual overdrive (std. in SC)
------	--

Body/Chassis

Drivetrain type	Rear-wheel drive
Body type	Unitized
Steering	Variable power-assist (speed-sensitive with 4.6L V-8 and 3.8L supercharged V-6)

Body/Chassis cont'd

Brakes	Power front disc/rear drum (LX) Power 4-wheel disc with anti-lock system (std. with SC; opt. with LX)
Front suspension*	Long-spindle SLA-type with variable-rate coil springs, double-acting nitrogen gas-pressurized hydraulic shocks, 1.06"-dia. stabilizer bar (1.10" bar in SC)
Rear suspension*	Independent H-arm design with toe control link, variable-rate coil springs, nitrogen gas-pressurized hydraulic shocks, 1.04"-dia. tubular stabilizer (0.90" bar in SC)
Tires	P205/70R15 BSW all-season (LX) P215/70R15 BSW all-season (LX RE.P. 155A) P225/60ZR16 BSW performance (SC)
Fuel capacity	18.0 gallons

*Super Coupe also has the automatic ride control adjustable suspension (page 12).

Dimensions

	2-Door
Wheelbase	113.0"
Length	200.3"
Height	52.5**
Width	72.7"
Front tread	61.6"
Rear tread	60.2"
Front head room	38.1"
Rear head room	37.5"
Front leg room	42.5"
Rear leg room	35.8"
Front shoulder room	59.1"
Rear shoulder room	58.9"
Trunk volume (cu. ft.)	15.1
Passenger capacity	5

**53.0 for Super Coupe.



Champagne Clearcoat Metallic*
OG, E, M



Electric Red Clearcoat Metallic
OG, M, RR



Light Evergreen Frost Clearcoat Metallic*
OG, E, M



Rose Mist Clearcoat Metallic*
OG



Moonlight Blue Clearcoat Metallic
PB, OG, M



Deep Emerald Green Clearcoat Metallic*
OG, M



Chameleon Blue Clearcoat Metallic
PB, OG



Silver Frost Clearcoat Metallic*
PB, OG, E, M, RR



Black Clearcoat
PB, OG, E, M, RR



White Opalescent Clearcoat**
PB, OG, E, M, RR



Vibrant White Clearcoat*
PB, OG, E, M, RR



Silver Blue Mist Clearcoat Metallic
PB, OG

Interior trim colors: PB = Portofino Blue OG = Opal Grey E = Evergreen M = Mocha RR = Ruby Red *Available on LX only. **Tri-coat color available at extra cost.



Printed on recycled paper
10% post-consumer waste



162-Ann. Litho in U.S.A. 8/94