

Have you driven a Ford...lately?



FORD LTD
Ford

1986 FORD LTD



FORD LTD



LTD Brougham Sedan features the Interior Luxury Group with premium cloth upholstery, plush carpeting, and an impressive list of added conveniences.

Ford LTD for 1986...from the maker of the best-built American cars

A 1985 survey of owners has established that Ford makes the best-built American cars. This is based on an average of problems reported by owners in the prior six months on 1981-84 models of all cars designed and built in the United States. Proof again that, at Ford...Quality is Job 1.



LTD 4-Door Sedan is a smooth-riding car with 5-passenger seating and a spacious deep-well trunk. With the flight bench front seat, LTD will carry six passengers.



LTD Wagon has an impressive 75.4 cu. ft. of cargo space when the second seat is folded down. LTD Wagon offers a roomy passenger environment and a smooth ride.

At right: LTD 4-Door Sedan in Midnight Blue Metallic shown with one of LTD's new Preferred Equipment Packages. See page 13 for details.

Some equipment shown may be optional. See options list on page 15.

Contents

Ford LTD Environment	6-7
Ford LTD Sedans and Wagons	8-9
Ford Performance	10-11
Preferred Equipment Packages	12-13
Features, Options, Colors and Trims	14-15
Safety and Owner Information	16-17





LTD Brougham 4-Door Sedan in Silver Clearcoat Metallic. Some equipment shown may be optional. See options list on page 15.





Family-size room and comfort

Comfortable seating for up to five or six

LTD will accommodate up to five or six passengers, depending on the front seating arrangement you select. Should you require 6-passenger seating, you may order the flight bench seat.

Generous space for luggage or cargo

Ample room for five or six passengers isn't all Ford LTD has to offer. You also need plenty of trunk or cargo space. In LTD Sedan, you have 15.1 cu. ft. in a deep-well trunk, which is designed to carry your luggage or groceries upright. In the LTD Wagon, you have 75.4-cu. ft. of cargo space when you fold down the second seat back.

LTD ergonomics

The principles of applied ergonomics are evident in LTD's interior design, especially where they enhance the comfort and convenience of the driver, the most important occupant.

At the wheel of a Ford LTD, you are seated firmly and comfortably. Instruments are centrally located to make them easy to read. And controls are

positioned so that you don't have to reach far to operate them.

LTD seats, front and rear, are designed to provide firm support for your back and thighs, which are most susceptible to fatigue over long driving periods. These seats have been carefully designed to help you maintain a proper posture, so you feel comfortable and relaxed.

Front seats are the split-bench design with individual recliners. So, whether you're the driver or passenger, you have the freedom to adjust your seat to your personal needs. Optional 6-way power adjustment is available for the driver, with controls conveniently located on the door panel.

Also in LTD, the narrow roof pillars and low front cowl and side belt lines provide good all-around visibility. The flow-through ventilation system with 4-speed heater/defroster blower helps maintain a comfortable interior climate.

LTD Brougham luxury and comfort

The interior you see featured on these pages is the luxurious LTD Brougham series, which

includes the features of the Interior Luxury Group.*

The split bench seats in Brougham are upholstered in knitted velour cloth seating surfaces. Seat back map pockets are standard when you order them in cloth trim.

Door panels are luxury-level, too, with cloth inserts, assist straps, storage bins and carpeted lower sections. Plush 16-ounce carpeting covers the passenger compartment floor. The luggage compartment is completely carpeted, even the spare tire cover.

LTD Brougham also comes with standard electronic digital clock, automatic parking brake release, right-hand illuminated visor mirror, plus a dual-beam map light, engine compartment light and courtesy lights under the instrument panel.

*Interior Luxury Group is available as an option in the LTD Wagon model.

Ford LTD Brougham interior and instrument panel in Charcoal. Some equipment shown may be optional. See options list on page 15.



LTD STANDARD SERIES

Smooth riding, luxurious sedan and wagon models

LTD Sedan

LTD offers what you look for most in a family-size sedan—roominess and comfort for up to five or six passengers, lots of trunk space, performance and economy.*

This year, LTD Sedan is powered by a standard 3.8 liter V-6 engine with the precise fuel metering of electronic fuel injection. Standard transmission is the SelectShift automatic. This powerteam is linked to Ford's sophisticated EEC-IV computer, which automatically adjusts the fuel-air mixture and ignition timing to changing operating conditions for optimum power, response and efficiency.

The LTD ride is smooth. The main reason is the advanced suspension system, which features nitrogen gas-pressurized front struts and rear shocks. And LTD rides on 14-inch P195/75R steel-belted radial tires with all-season tread design for year-round traction.

LTD also comes equipped with power front disc/rear drum brakes for fast, sure stops, plus the precision of power-assisted rack and pinion steering.

The list of standard features goes on to include halogen headlamps, left-hand remote-control mirror, reclining split bench seats, trip odometer, door panel storage bins, courtesy light switches for all doors, glove box light, ashtray light, luggage compartment light, steering column-mounted controls, and much more. A new feature this year is the high-mount brake lamp mounted on the rear package tray.

LTD Wagon

In LTD Wagon, you get all the comfort of the sedan model. Plus more space for cargo with added versatility.

The wagon model comes with carpeting on the load floor, a cargo area light, and a convenient lockable storage compartment in the rear quarter panel to conceal valuables you'd like to keep out of sight.

There are also exclusive wagon options available. The 2-way liftgate that lets you raise the entire liftgate or just the rear window. The deluxe luggage rack. And the classic Squire Option with woodtone paneling.

*See gas mileage on page 11.

At top left: Ford LTD 4-Door Sedan in Medium Sand Beige and LTD Wagon in Midnight Canyon Red Metallic.

At far left: LTD Wagon in Dark Clove Brown Metallic with Squire Option.

At left: LTD interior in Canyon Red. Some equipment shown may be optional. See options list on page 15.





Ford performance over the road and under the hood

You would expect a car like the Ford LTD to ride smoothly. And LTD certainly does. LTD's excellent ride is the result of a 4-wheel independent suspension system and a vehicle shape that is dynamically designed.

Along with their outstanding ride quality, LTD sedans and wagons provide the right balance of performance and economy you need.

Advanced suspension system with gas-pressurized shocks and struts

Ford LTD features a modified MacPherson strut front suspension which includes a high-efficiency stabilizer bar for cornering control. The coil spring rear suspension has a 4-bar link design that helps maintain side-to-side and front-to-rear axle stability.

Among the various components that provide ride smoothness are gas-pressurized front struts and rear shock absorbers which help maintain proper hydraulic fluid action. This means that the ride is smooth under normal driving conditions, yet firm and controlled enough when you're traveling over ruts or potholes.

Precision steering and braking

Ford LTD features the responsiveness of rack and pinion steering along with the convenience of power-assisted variable-ratio gearing. This system not only delivers the precision you need when cornering quickly, but also gives you a fluid, almost effortless feel of the steering wheel at the slower speeds when you're parking.

LTD's front disc/rear drum brakes are also power-assisted, so you come to a stop with less effort on the brake pedal than you would with manual hydraulic brakes. Ford's pin slider-type front discs are designed to reduce brake drag, with a one-piece hub and the rotor casting vented to dissipate heat effectively. It's a proven brake system backed by years of performance under various road and weather conditions.

V-6 power with electronic fuel injection

LTD's standard 3.8 liter EFI V-6 is designed to generate high torque at part throttle for good performance off the line. It's also economical, with fast-burn combustion technology and the precise fuel metering of the electronic fuel injection (EFI) system. EFI

also provides smooth running and easy starting, even if the outside temperature is extremely hot or cold.

Computer-controlled performance

LTD's 3.8 liter V-6 engine is linked to one of the world's most sophisticated automotive computers. The EEC-IV electronic engine control computer is capable of adjusting the engine's fuel-air mixture and ignition timing instantaneously to changing operating conditions, such as climate and altitude. The result is optimum power, response and efficiency.

A dynamic design for better fuel economy and handling stability

LTD's advanced dynamic design improves fuel economy. The principle is: The lower the coefficient of drag (C_d) a vehicle has, the more efficient it is. LTD Sedan has a low .37 C_d , which makes it almost as dynamic as the sleek Thunderbird. Less engine power, therefore, is required to move LTD through the air. The engine uses less fuel because it doesn't have to work as hard. LTD needs only 6.6 aero horsepower to maintain a speed of 50 mph.

Handling stability is another benefit of a dynamic shape. By carefully fine-tuning selected design areas, Ford designers and engineers have directed the air flow so that LTD hugs the road, resulting in improved directional stability and cornering agility.

Gas mileage

1986 EPA mileage estimates were not available at the time this catalog was approved for printing. As soon as EPA figures are released, your Ford Dealer will be among the first to receive this information and will be happy to pass it along to you.

LTD powerteam

Engine	Transmission	Rear Axle Ratio		
		49 States	High Alt.	Calif.
3.8L EFI V-6	SelectShift Auto.	2.73	2.73	2.73



Left: LTD 4-Door Sedan in Midnight Blue Metallic. Some equipment shown may be optional. See options list on page 15.

A WELL-EQUIPPED CAR

The LTD Brougham Sedan pictured below illustrates the high level of standard equipment in this series. Included is Preferred Equipment Package 174A, with the kinds of features that have proved popular with many car buyers.



- LTD Brougham (with Preferred Equipment Package 174A):**
- 3.8 liter EFI V-6 engine
 - SelectShift automatic transmission
 - Power steering

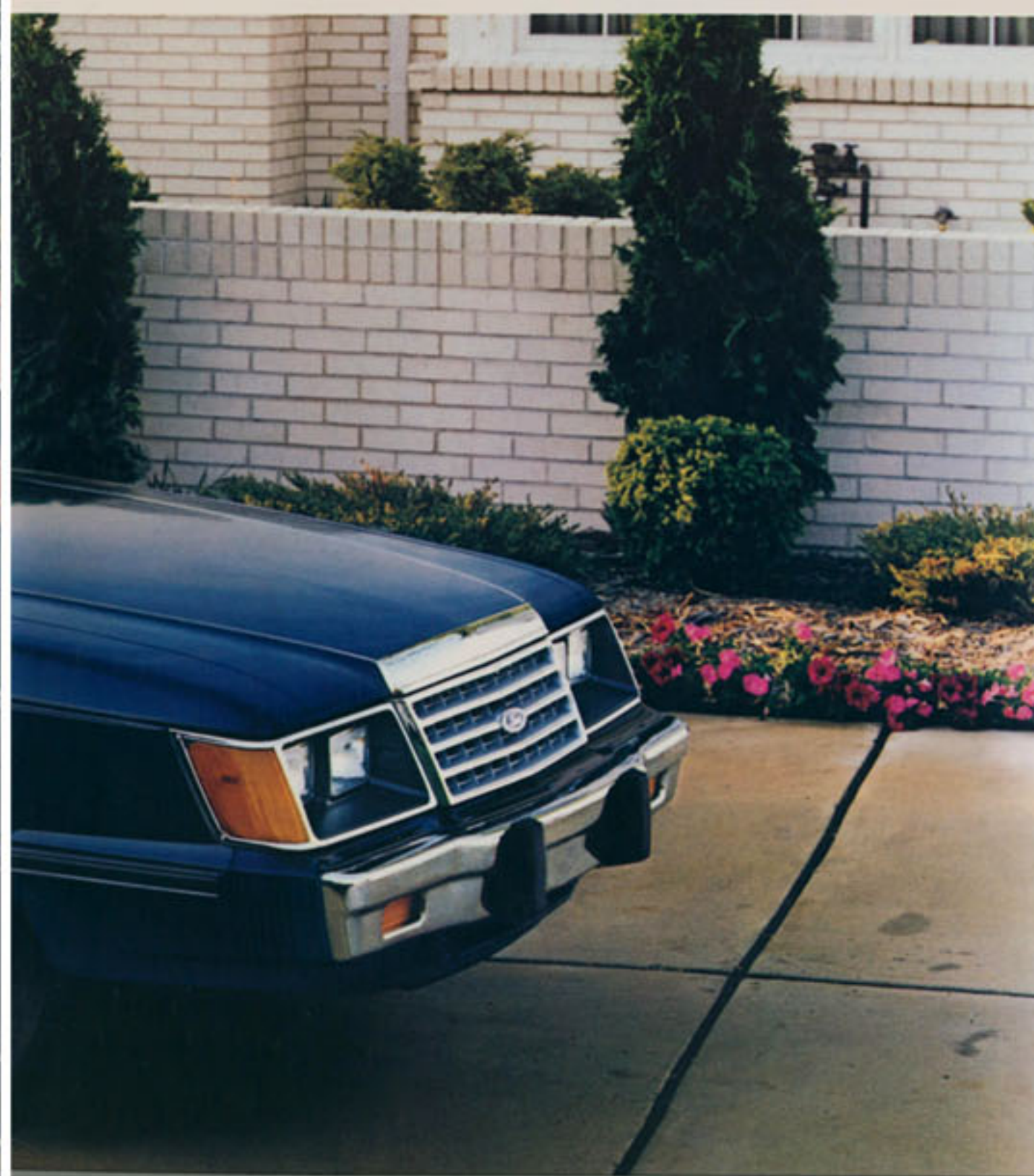
- Power front disc/rear drum brakes
- Nitrogen gas-pressurized front struts and rear shock absorbers
- Halogen headlamps
- Vinyl-clad bodyside moldings
- Left-hand remote-control mirror
- Front bumper guards
- Dual accent paint stripes, bodyside and hood

- Reclining split bench seats with luxury cloth seating surfaces
- 16-ounce floor carpeting plus luxury luggage compartment trim
- Trip odometer
- Right-hand illuminated visor mirror
- Luxury door trim panels with storage bins
- Electronic digital clock
- Automatic parking brake release

- Seat belt reminder chime
- Dual beam map light, engine compartment light, and courtesy lights under the instrument panel
- Air conditioning
- Tinted glass—complete
- Rear window defroster
- Right-hand remote-control mirror

PREFERRED EQUIPMENT PACKAGES

Ordering your LTD is easy with Preferred Equipment Packages. Here's how it works: (1) Choose your body style (sedan or wagon). (2) Select the Preferred Equipment Package with the features you want from the charts below. The entire ordering procedure is greatly simplified. And you save money on a package compared to the total traditional price if the items were purchased separately (Package 170A excepted). Options are listed on page 15. Contents of Preferred Equipment Packages are subject to change. For the latest information, consult your Ford Dealer.



- AM/FM stereo radio
- Speed control
- White sidewall P195/75R 14" all-season steel-belted radial tires
- Luxury wheel covers
- Power door locks, electric remote-control fuel-filler door and decklid releases

- Tilt steering wheel
- Pivoting front vent windows
- Power side windows
- Interval windshield wipers

LTD Sedan and Wagon

The following items of equipment are included in Packages 170A and 171A for LTD Sedan and Wagon

Equipment	Equipment Package 170A	Equipment Package 171A
Air conditioning	•	•
Electronic digital clock	•	•
Tinted glass—complete	•	•
Rear window defroster (1)	•	•
Deluxe luggage rack (wagon)	•	•
RH remote-control mirror	•	•
AM/FM stereo radio	•	•
Speed control	•	•
White sidewall P195/75R 14" tires	•	•
Luxury wheel covers	•	•

LTD Brougham Sedan and LTD Wagon

The following items of equipment are included in Package 174A and 175A for LTD Brougham Sedan and LTD Wagon.

Equipment	Equipment Package 174A	Equipment Package 175A
Air conditioning	•	•
Tinted glass—complete	•	•
Rear window defroster (1)	•	•
Deluxe luggage rack (wagon)	•	•
RH remote-control mirror	•	•
AM/FM stereo radio	•	•
Speed control	•	•
White sidewall P195/75R 14" tires	•	•
Luxury wheel covers	•	•
Two-way liftgate (wagon)	•	•
Power Lock Group (2)	•	•
Interior Luxury Group (wagon) (3)	•	•
Tilt steering wheel	•	•
Pivoting front vent windows	•	•
Power side windows	•	•
Interval windshield wipers	•	•
Autolamp System	•	•
Front/rear bumper rub strips	•	•
Cornering lamps	•	•
Dual electric remote-control mirrors	•	•
Dual illuminated visor mirrors	•	•
Rocker panel moldings (except with Squire)	•	•
6-way power driver's seat	•	•
Premium Sound System	•	•

(1) Premium Sound System may be substituted in Packages 171A and 174A.
 (2) Includes power door locks, electric fuel filler door release, plus a remote-control decklid release in the sedan only.
 (3) For group content, see the LTD Brougham description on page 7.

FEATURES AND OPTIONS

Notable standard features and options for each LTD series are listed on the facing page. In selecting the options you want, compare your choices with the Preferred Equipment Packages on page 13. You're likely to find that most of the equipment you want has already been conveniently included for you in a particular package. Options and their availability are subject to change during the year. Your Ford Dealer can advise you of current status.

Speed control

Speed control automatically maintains any speed you set at 30 mph or above. Controls are positioned on the steering wheel for fingertip convenience. The system has a "resume" feature that lets you return to your previously set speed at the touch of a button.

Autolamp System

This convenience option automatically turns the headlamps on or off when you're traveling at dusk or early morning. It can be set to keep the headlamps on for up to four minutes after the car is parked.



Illustrated options: (A) AM/FM stereo radio with cassette tape player. (B) Pivoting front vent windows. (C) Speed control. (D) Luxury wheel covers. (E) Locking wire-style wheel covers. (F) Styled road wheels. (G) Tot-Guard (available at Ford Dealers).



Ford LTD Features and Options

	LTD Sedan	Brougham Sedan	LTD Wagon
ENGINEERING			
3.8 liter engine with electronic fuel injection	•	•	•
Power front disc/rear drum brakes	•	•	•
Modified MacPherson strut front suspension with nitrogen gas-pressurized struts	•	•	•
4-bar link coil spring rear suspension with gas-pressurized shock absorbers	•	•	•
Electronic voltage regulator	•	•	•
Maintenance-free battery	•	•	•
All-season P195/75R 14" steel-belted BSW tires	•	•	•
Mini spare tire (economy spare on wagon)	•	•	•
Liftgate-open warning light	•	•	•
EXTERIOR			
Quad rectangular halogen headlamps	•	•	•
Front bumper guards	•	•	•
Vinyl-clad bodyside moldings	•	•	•
Dual accent paint stripes, bodyside (1) and hood	•	•	•
Left-hand remote-control mirror	•	•	•
Deluxe wheel covers	•	•	•
INTERIOR			
Split bench front seats with recliners	•	•	•
Standard cloth seating surfaces	•	•	•
Luxury cloth seating surfaces (2)	•	•	■
Right-hand visor mirror (non-lighted)	•	•	•
Right-hand illuminated visor mirror	■	•	■
Padded vinyl door trim panels with integral storage bins	•	•	•
Luxury door trim panels with integral storage bins (2)	•	•	■
10-ounce cut-pile carpeting	•	•	•
16-ounce cut-pile carpeting (2)	•	•	■
Deluxe seat belts with comfort regulator feature	•	•	•
Seat belt reminder chime (2)	•	•	■
Steering column-mounted controls	•	•	•
Trip odometer	•	•	•
AM radio with dual front speakers (may be deleted for credit)	•	•	•
Locking lighted glove box	•	•	•
Electronic digital clock	■	•	■
Light Group (3)	■	•	■
Automatic parking brake release (2)	•	•	■
Lockable storage compartment in left quarter panel	•	•	•
Standard luggage compartment carpeting	•	•	•
Luxury luggage compartment carpeting	•	•	•
Luggage compartment/cargo area light	•	•	•
ENTERTAINMENT SYSTEMS			
AM/FM stereo radio	■	■	■
AM/FM stereo radio with cassette tape player	■	■	■
Premium Sound System (4)	■	■	■

(1) Not available with Squire Option.

(2) Available as option in LTD Wagon only in the Interior Luxury Group.

(3) Includes engine compartment light, dual-beam map light, and two courtesy lights under the instrument panel.

	LTD Sedan	Brougham Sedan	LTD Wagon
APPEARANCE			
Squire Option (shown on page 8)			■
Two-Tone paint with tape stripes (1)	■	■	■
Full vinyl roof	■	■	
COMFORT AND CONVENIENCE			
Air conditioning, manual controls	■	■	■
Autolamp System	■	■	■
Flight bench front seat (5)	■	■	■
Tinted glass—complete	■	■	■
Interior Luxury Group (see page 7)			■
Dual illuminated visor mirrors	■	■	■
Speed control	■	■	■
Leather-wrapped steering wheel (with optional speed control)	■	■	■
Tilt steering wheel	■	■	■
Cornering lamps	■	■	■
Rear window defroster	■	■	■
Two-way liftgate			■
Luggage rack			■
Dual electric remote-control mirrors	■	■	■
RH remote-control convex mirror	■	■	■
Pivoting front vent windows	■	■	■
Interval windshield wipers	■	■	■
INTERIOR TRIM			
All-vinyl seats	■	■	■
PROTECTION			
Lower bodyside protection	■	■	■
Black vinyl-clad rocker panel moldings (1)	■	■	■
Rear bumper guards	■	■	■
Bumper rub strips	■	■	■
Color-keyed front carpeted floor mats	■	■	■
POWER ASSISTS			
Power Lock Group (6)	■	■	■
6-way power driver's seat	■	■	■
Power side windows	■	■	■
TIRES			
P195/75R 14" white sidewalls	■	■	■
P205/70R 14" white sidewalls	■	■	■
WHEELS/WHEEL COVERS			
Luxury wheel covers	■	■	■
Locking wire-style wheel covers	■	■	■
StyLED road wheels	■	■	■
PERFORMANCE			
Traction-Lok axle	■	■	■
Extended-range fuel tank	■	■	■
Heavy-duty battery	■	■	■
Engine block immersion heater	■	■	■
California Emissions System	■	■	■
High Altitude Emissions System (7)	■	■	■
● = Standard equipment ■ = Optional equipment			

(4) Includes power amplifier and upgraded rear speakers.

(5) No-cost option. Non-reclining. Not available with optional dual electric remote-control mirrors or 6-way power driver's seat.

(6) Includes power door locks on all models, power decklid release on sedans, and remote-locking fuel filler door which includes a manual emergency release feature.

(7) Wagon model is available in high altitude areas, but does not require special equipment.

Colors & Trims

Interior Trim Colors

Charcoal*	Canyon Red	Regatta Blue	Clove Brown	Sand Beige	Exterior Paint Colors
X	X		X		Medium Charcoal Metallic
X	X	X	X		Black
X	X	X			Silver Clearcoat Metallic
X	X		X		Midnight Canyon Red Metallic
X	X	X	X		Midnight Blue Metallic
			X		Dark Slate Metallic
X		X			Spinnaker Blue
X			X	X	Sand Beige
		X	X		Dark Clove Brown Metallic
		X	X		Medium Sand Beige
X	X	X	X	X	Oxford White

*Not available on wagons.



Some of these paint and trim colors are shown in this catalog. On the printed page, of course, colors are at best only representative of the originals. Your Ford Dealer can show you actual samples of the paint colors and trim materials presented above, as well as vinyl roof colors and Two-Tone paint with tape stripe combinations.



Ford Motor Company strongly encourages all passengers to use their safety belts.

In all Ford cars, outboard front seat lap and shoulder belts have automatic retractors and comfort regulators. Outboard rear seat positions also have lap belts with retractors.

Ford urges the use of child and infant restraints, as required in all states. Ford's easy-to-install Tot-Guard (for children 20 to 50 pounds) and Infant Carrier (for children up to 20 pounds) are available at all Ford Dealers. If a child restraint requires a top-tether, Ford cars provide for attachment of an anchor at each rear outboard seating position.

Ford Lifeguard Design Safety Features

Vehicle operation

- Safety rim wheels and load-rated tires
- Split service hydraulic brake system with warning light
- Corrosion-resistant brake lines
- Flash-to-pass headlamps
- Turn indicator with lane-changing signal feature
- Hazard warning flasher
- High-mount brake lamp
- Backup lights
- Parking lights (which also serve as side marker lights) coupled with headlamps
- Two-speed windshield wipers
- Windshield washers
- Outside rearview mirror, driver's side
- Glare-reduced instrument panel, windshield wiper arms and windshield pillars
- Uniform transmission shift quadrant with safety



- starting switch
- Continuously variable control illumination intensity (instrument panel lighting)
- Safety hood latch system
- Function-rated windshield defroster system

Occupant protection

- Safety-designed front end structure
- Safety-designed roof structure
- Steel guard rails in side doors
- Double yoke safety door latches and safety hinges
- Integral lap and shoulder belts with automatic retractors for occupants of front seats
- Positive seat belt fastening reminder warning light and buzzer or chime for the driver's seat
- Lap belts for center front (with optional 3-passenger front seat) and all rear seating positions with retractors for

- rear outboard occupants
- Energy-absorbing steering column and steering wheel system
- Energy-absorbing armrests and safety-designed door handles
- Energy-absorbing instrument panel with padding for right and center (with optional 3-passenger front seat) front passengers
- Energy-absorbing sun visors
- Energy-absorbing front seat back tops with padding
- Head restraints for front outboard occupants
- Safety glove box latch
- Inside yieldaway rearview mirror
- Impact-absorbing laminated safety glass windshield
- Flame-resistant interior materials
- Safety-designed coat hooks
- Safety-designed radio control knobs and push buttons

Special quality steps: Corrosion protection

Ford takes tough measures to protect its cars against the damaging effects of corrosion. Galvanized steel is used for important underbody and structural parts. Pre-coated steel, featuring corrosion inhibitors, is also used in major body panels. Special treatments are applied to selected areas of the body structure.

Scheduled maintenance

Here are some examples of scheduled maintenance intervals for the 1986 LTD. For complete maintenance recommendations, refer to the LTD Owner Guide.

Engine oil change	each 7,500 miles
Spark plug change	each 30,000 miles
Air filter replacement	each 30,000 miles
Engine coolant replacement	each 30,000 or 3 years

"Ask your Ford Dealer"

Following publication of this catalog, certain changes in standard equipment, options, prices and the like, or product delays, may have occurred which would not be included in these pages. Your Ford Dealer is your best source for up-to-date information.

SAFETY AND OWNER INFORMATION

Measurements

	Sedan	Wagon
Wheelbase	105.6"	105.6"
Length	196.5"	196.5"
Height	53.8"	54.4"
Width	71.0"	71.0"
Front tread	56.6"	56.6"
Rear tread	57.0"	57.0"
Trunk/cargo volume index (cu. ft.)	15.1	75.4*
Fuel capacity (gal.)	16.0**	15.3
Curb weight (lbs.)	3,001	3,108
Passengers	5†	5†

*41.6 cu. ft. with rear seat up.

**Optional extended range fuel tank available.

†Six passengers with optional flight bench front seat (no extra cost).

5-mile-an-hour bumpers

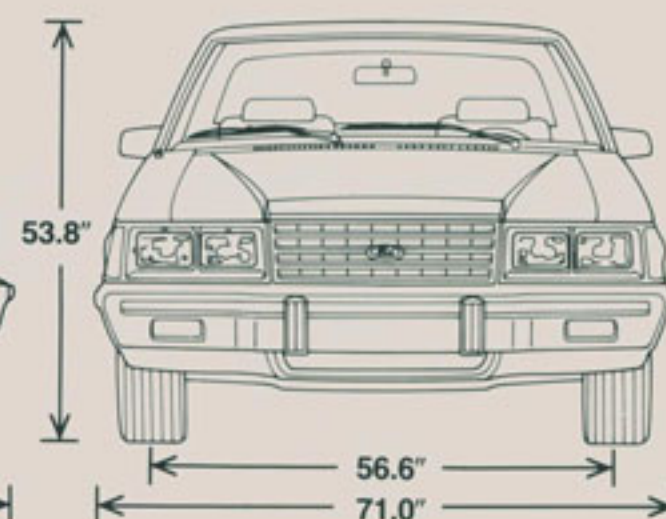
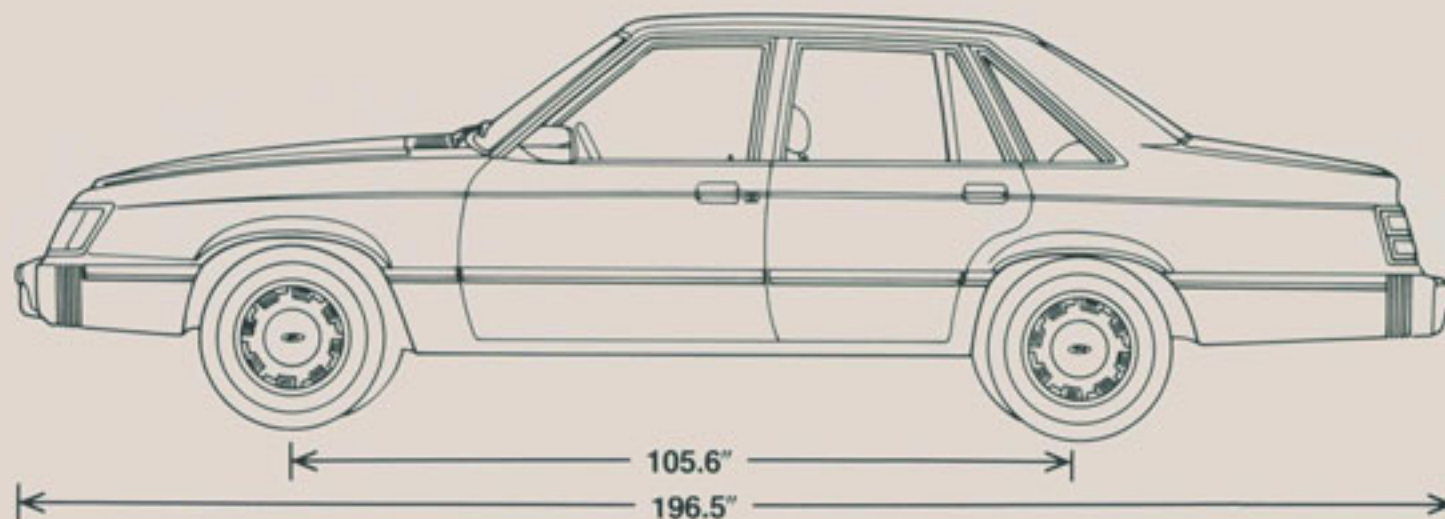
Bumpers on Ford LTD are designed to protect lamps, cooling system, exhaust and other body components in the event of a minor impact.

While some manufacturers equip their cars with bumpers that just meet the 2½-mph federal standards, Ford equips the new LTD and every other car it makes with bumpers designed to absorb impacts of 5-mph.



Participating Ford Dealers are now offering the Lifetime Service Guarantee, which guarantees their work on your Ford vehicle for as long as you own it. This means that the covered repair is paid for once—and never again. If it ever has to be fixed again, the repairing dealer will fix it free. Free parts. Free labor. Even if the car is kept a lifetime. It doesn't matter where it was purchased, or whether it's new or used; the work is still covered by the repairing dealer.

This limited warranty covers vehicles in normal use. Items not covered are routine maintenance parts, belts, hoses, sheet metal, and upholstery. Ask to see this guarantee when you visit your participating Ford Dealer.



The optional Extended Service Plan covers major components on new Ford cars and light trucks for longer than the vehicle's basic warranty. The cost of this added protection is so moderate that it could pay for itself the first time you need it. Your Ford Dealer has full details.



Genuine Ford and Motorcraft original equipment replacement parts meet the same high standards as those installed in production. They are your best assurance of quality and long-term satisfaction.

Ford-paid repair programs after the warranty period

Sometimes Ford offers adjustment programs to pay all or part of the cost of certain repairs. These programs are intended to assist owners and are in addition to the warranty or to required recalls. Ask Ford or your dealer about such programs relating to your Ford or Lincoln-Mercury vehicle.

To get copies of any adjustment program for your vehicle or the vehicle of interest to you: Call Ford toll-free at 1-800-241-3673. Alaska/Hawaii call 1-800-241-3711 and in Georgia call 1-800-282-0959.

Or write Ford at:
Ford Customer Information System
Post Office Box 95427
Atlanta, Georgia 30347

We'll need your name and address; year, make and model vehicle, as well as engine size; and whether you have a manual or automatic transmission.

Technical service bulletins

All vehicles need repairs during their lifetime. Sometimes Ford issues technical service bulletins (TSBs) and easy-to-read explanations describing unusual engine or transmission conditions which may lead to costly repairs, the recommended repairs, and new repair procedures. Often a repair now can prevent a more serious repair later. Ask Ford or your dealer for any such TSBs and explanations relating to your Ford or Lincoln-Mercury vehicle.

To get copies of these technical service bulletins and explanations for your vehicle or the vehicle of interest to you: Call Ford toll-free at 1-800-241-3673. Alaska/Hawaii call 1-800-241-3711 and in Georgia call 1-800-282-0959.

Or write Ford at:
Ford Customer Information System
Post Office Box 95427
Atlanta, Georgia 30347

We'll need your name and address; year, make and model vehicle, as well as engine size; and whether you have a manual or automatic transmission.

Options availability

Options shown or described in this catalog are available at extra cost and may be offered only in combination with other options or subject to additional ordering requirements or limitations.

Product changes

Ford Division reserves the right to change product specifications at any time without incurring obligations.

Buy or lease a new Ford LTD